

# Cross Reference Chart



Pipe-Lock Joint Restraint Couplings						
Description	Smith-Blair	EBAA	Ford	Romac	JCM	PowerSeal
Join Ductile Iron X Ductile Iron Pipe	471	(3800)	(RCDD)	440RG	-	-
Join PVC X PVC Pipe	472	(3800)	(RCPP)	440RG	-	-
Join PVC X Ductile Iron/Carbon Steel Pipe	473	(3800)	(RCDP)	440RG	-	-
Join Ductile Iron X Ductile Iron Pipe - Reducing	474	-	-	-	-	-
Join PVC X PVC Pipe - Reducing	475	-	-	-	-	-
Join PVC X Ductile Iron Pipe - Reducing	476	-	-	-	-	-
Sleeve Only	477	-	-	-	-	-
Flange-Lock Joint Restraint FCA						
Description	Smith-Blair	EBAA	Ford	Romac	JCM	PowerSeal
Join Ductile Iron Pipe to Flanged Fittings	911	(2100)	(RFAD)	(RFCA)	(SFA)	(3200)
Join PVC Pipe to Flanged Fittings	920	(2100)	(RFAP)	PVC RFCA	(SFA)	(4200)
Sleeve Only	923	-	-	-	-	-
Restraint Couplings						
Description	Smith-Blair	Dresser	Ford	Romac	JCM	PowerSeal
EZ-W Steel Couplings, Straight	EZWS	(711)	-	-	-	-
EZ-W Steel Couplings, Reducing	EZWR	(711)	-	-	-	-
EZ-W Steel Flange Coupling Adapter	EZWF	-	-	-	-	-
EZ-W Steel Pipe End Cap	EZWC	-	-	-	-	-
Steel Couplings w/Anchor Studs	414	-	-	-	-	-
Full Circle Repair Clamps						
Description	Smith-Blair	Dresser	Ford	Romac	JCM	PowerSeal
Single Band-Cast Lugs, Low Pressure	221	-	-	(LSS1)	(108)	-
Single Band-Cast Lugs	226	360	F1	CL1	(101), 171	3121
Double Band-Cast Lugs	227	361	F2	CL2	(102), 172	3122
Multi-Band-Cast Lugs	228	360	F3	CL3	(102), 172	3123
Collar Leak Clamp-Cast Lugs	229	-	FCC	-	(105), 175	3141
Tapped, Single Band-Cast Lugs	238	SPEC360	F1	IP/CC	(103), 173	3131
Tapped, Double Band-Cast Lugs	239	SPC361	F2	IP/CC	(104), 174	3132
Full Circle Redi-Clamp-Cast Lugs	244	-	FSC	SCC	111	3153PS
Full Circle Redi-Clamp, All Stainless	247	-	FLSC	(SCS)	111AS	-
Single Band-Cast Lugs, All Stainless	256	[364]	FSL1	(CL1)	(131)	3121CS
Double Band-Cast Lugs, All Stainless	257	360	FSL2	(CL2)	(132)	-
Single Band-Fab Lugs, All Stainless	261	364	FS1	SS1	161	3121AS
Double Band-Fab Lugs, All Stainless	262	364	FS2	SS2	162	3122AS
Multi-Band-Fab Lugs, All Stainless	263	364	FS3	SS3	162	3123AS
Tapped, Single Band-Fab Lugs, All Stainless	264	-	FS1	IP/CC	163	3131AS
Tapped, Double Band-Fab Lugs, All Stainless	265	-	FS2	IP/CC	164	3132AS
Higher Pressure, Carbon Steel, V Lugs	267-000	-	-	-	-	-
Higher Pressure, SS, V Lugs	267-065	-	-	-	136	3122AS HP
Higher Pressure, SS, Fab Lugs	268	-	-	-	-	-
Collar Leak Clamp-Fab Lugs, All Stainless	269	-	FCC	CLC	(135)	3143AS
Patch Clamps						
Description	Smith-Blair	Dresser	Ford	Romac	JCM	PowerSeal
Redi-Clamp-Cast Lugs	245	118	FSC	SC	110	3151
Redi-Clamp, All Stainless	248	-	FLSC	(C)	110AS	(3151AS)
Pipe Repair Clamp, Double Band-Cast Lugs	246	77, 79	-	(CC)	113	3151 HD
Bell Joint Leak Clamp						
Description	Smith-Blair	Dresser	Ford	Romac	JCM	PowerSeal
Bell Joint Leak Clamp	274	60, 160	FBC	516/416/418	142, 143	32, 313, 232

Service Saddles						
Description	Smith-Blair	Dresser	Ford	Romac	JCM	PowerSeal
Single Carbon Steel Bale - Iron Body	311	291	F101	(101U), 101NU	(401), 407	3411DI
Double Carbon Steel Bale - Iron Body	313	291	F202	(202U), 202NU	(402), 408	3413
Single Stainless Steel Strap - Iron Body	315	-	FC101, FS101	(101S), 101NU	(403), 405	3415
Double Stainless Steel Straps - Iron Body	317	-	FCD202	(202S), 202NS	(404), 406	3417DI
Wide Stainless Steel Strap - Bronze Body	325-000	-	202BS	-	-	(3409), (3407)
Double Stainless Steel Straps - Bronze Body	325-100	-	202BSD	202BS	-	3409
Repair, Double Carbon Steel Bale - Iron Body	331	-	FR202	-	-	-
Double Stainless Steel Straps, Large Tap - Iron Body (O.D specific for PVC and Steel Pipe)	357	-	(FS202), (F202)	-	-	-
Double Carbon Steel Bale - Iron Body (For Concrete Cylinder Pipe)	362	-	-	-	425	-
Triple Carbon Steel Bale - Iron Body (For Large Diameter Pipe)	366	-	-	-	-418	-
Single Stainless Steel Stud - All Stainless	371	-	FS303, FS313	304	-	3411AS
Double Stainless Steel Stud - All Stainless	372	-	FS303, FS313	306	502	3412AS
Wide Stainless Steel Strap - Iron Body (O.D. Specific for PVC or Ductile Iron)	397	0	FC202	-	-	3417SW
Couplings & End Caps						
Description	Smith-Blair	Dresser	Ford	Romac	JCM	PowerSeal
Steel Couplings	411 Reg.	38, STAB 38	FC3, FC4	400/511	201, 211	3538
Steel Couplings	411 Long	40, STAB 40	FLC	400	202	3540
Steel Couplings, Transition	413	162, 62TY.1	FC23, FC24, FC5	TC400	203	-
Steel Couplings, Reducing	415	62TY.2	FC6	RC400	204	3562R
Steel Couplings, Insulating	416	39	+FIB	IC400, IC501	-	3539
Steel Couplings, Transition Insulating	417	-	+FIB	-	-	-
Steel Couplings, Tee w/Outlet	418	-	-	-	-	-
Steel Couplings, Wide Range Two Bolt, Standard Sleeve	421	TX3	Bowling	Macro	-	-
Steel Couplings, Wide Range Two Bolt, Long Sleeve	422	-	-	-	-	-
Cast Omni Couplings System, Standard Sleeve	441	253	FC1, FC2A	501	210, 211, 212	3501
Cast Omni Couplings System, Long Sleeve	442	253	C1-L12, FC2A-L12	501	215	3501LB
Cast Omni Reducing Couplings	R441	253	FRC	FC501	-	3506R
Cast Quantum Coupling, Wide Range, Standard Sleeve	461	-	FC2W	XR501	241	3506, (3506AS)
Cast Quantum Coupling, Wide Range, Long Sleeve	462	-	FC2W-L12	XR501	242	-
Pipe End Caps, Steel	481	31	FC4	EC400	-	3551
Pipe End Caps, Cast	482	231	FEC	EC501	214	3501EC, (3506EC)
Compression Couplings	525	65 Long	C Series	702	220	3504

<b>Expansion Joints</b>						
<b>Description</b>	<b>Smith-Blair</b>	<b>Dresser</b>	<b>Ford</b>	<b>Romac</b>	<b>JCM</b>	<b>PowerSeal</b>
<b>Plain Single End</b>						
without Limit Rods	611	63TY-1	FEJ 1	EJ401	801	3563-SE
with Limit Rods	611	63TY-3	FEJ 1	EJ403	801	3563-SELR
<b>Plain Double End</b>						
without Limit Rods	612	63TY-2	FEJ 2	EJ402	802	3563-DE
with Limit Rods	612	63TY-4	FEJ 2	EJ404	802	3563-DELRL
<b>Tapping Sleeves</b>						
<b>Description</b>	<b>Smith-Blair</b>	<b>Dresser</b>	<b>Ford</b>	<b>Romac</b>	<b>JCM</b>	<b>PowerSeal</b>
Steel	622	610	FTS, FTSC	FTS420	412	3460
Steel Split Coupling Type	623	-	-	FTS425	(414)	-
Steel Split MJ Type	624	-	-	(FTS425)	414	-
Steel For Concrete Cylinder Pipe	625	-	-	FTS435	415	3431
Steel Weld-On, Top Only	626	-	FWS	FTS445	416	3428
Steel Weld-On, Full Body	627	-	-	FTS445	417	3428
Stainless Steel Body, Fab Lugs, with Carbon Steel Coated Flange	662	630	FAST	SST	-	3480
All Stainless Steel, Fab Lugs	663	630	FAST	SST	-	3480
Stainless Steel Body, V Lugs, with Carbon Steel Coated Flange	664	640	FTSS	SSTIII	462	3490
All Stainless Steel, V Lugs	665	640	FTSS	SSTIII	432	3490
Steel Plug Line Stop (662 Style)	682	-	-	-	-	-
Steel Plug Line Stop (663 Style)	683	-	-	SST-X	-	-
Steel Plug Line Stop (664 Style)	684	-	-	-	440 T4	-
Steel Plug Line Stop (665 Style)	685	-	-	-	440 T1	-
Steel Plug or Pin Line Stop (622 Style)	687	-	-	-	440 T2, 440 T12	-
Steel Pin Line Stop (625 Style)	689	-	-	-	-	-
<b>Flanged Coupling Adapters</b>						
<b>Description</b>	<b>Smith-Blair</b>	<b>Dresser</b>	<b>Ford</b>	<b>Romac</b>	<b>JCM</b>	<b>PowerSeal</b>
Cast	912	127	FFCA	FCA501	301	3521
Steel	913	128	FCA	FC400	303	3528
Steel Reducing	914	-	-	FC400	304/306	-
Steel Wide Range Single Bolt	921	-	-	-	-	-
Flanged Meter Adapters	926	131	-	-	-	-
Cast Insulated	932	-	FFCA+FIB	-	-	-
Steel Insulated	933	-	FCA+FIB	-	-	-
<b>Dismantling Joints</b>						
<b>Description</b>	<b>Smith-Blair</b>	<b>Dresser</b>	<b>Ford</b>	<b>Romac</b>	<b>JCM</b>	<b>PowerSeal</b>
Dismantling Joint	971	131	FDJ	(DJ400)	309	3563
Dismantling Joint, Full Rod Restraining	972	-	-	-	-	-
Dismantling Joint, Cam-Lock Restraining	973	-	-	(DJ405)	-	-
Dismantling Joint, Rod Restraining	975	-	FDJ-R	(DJ400)	-	3563
<b>Miscellaneous Products</b>						
<b>Description</b>	<b>Smith-Blair</b>	<b>Dresser</b>	<b>Ford</b>	<b>Romac</b>	<b>JCM</b>	<b>PowerSeal</b>
Fabricated Restraint Plates for Flanges	907	-	-	490	-	-

**NOTES:**

1. "( )" = Similar Product

2. "-" = Equivalent Product Not Available or Unknown

3. Data compiled from public information and is to be used for reference only. Product and material specifications should be confirmed prior to specification or purchase.

## Smith-Blair, Inc. Product Specification Terms

1. **DEFINITIONS.** "Customer" means the party purchasing goods or services pursuant to these Smith-Blair, Inc. Product Specification Terms ("Terms"). "Smith-Blair" means Smith Blair Inc., an Arkansas corporation. "Deliverables" means the Smith-Blair goods and services sold or otherwise provided pursuant to this Agreement.

2. **ENTIRE AGREEMENT.** These Terms, The Terms and Conditions of Sale – Xylem Americas, Customer's purchase order (except any Additional Terms), Smith-Blair's Acknowledgement Form (if any), and Smith-Blair's invoice constitutes the entire agreement ("Agreement") between the parties hereto with respect to the subject matter hereof and supersedes any and all prior agreements, understanding or other communications, whether written or oral, formal or informal, between them in respect of the order. No consent, waiver, alteration, amendment, or modification shall be binding unless in writing and signed by a vice president (or higher) of Smith-Blair.

3. **PRICES.** Prices prevailing at time of shipment will apply, except as otherwise provided by a prior written quotation, which constitutes a firm offer. Any prices quoted are based on the current tariff rates, duties, government charges, and trade regulations as of the date of the quote. If any new tariffs, duties, taxes, or similar charges are imposed, or any existing tariffs, duties, or charges are increased or modified by any government or regulatory authority (collectively, "Tariff Changes"), and such Tariff Changes result in an increase in the cost of goods, Smith-Blair reserves the right to adjust the pricing of the affected goods to reflect the increased costs. Smith-Blair is not obligated to deliver the applicable goods and/or services until an agreement on the new price is reached.

4. **DELIVERABLE WARRANTY.** Smith-Blair warrants its Deliverables to be free of defects in materials and workmanship for a period of one (1) year from the date of shipment (the "Warranty Period"). Dated proof of purchase, such as a bill of sale, is required to establish warranty eligibility. If a Deliverable fails to perform due to a defect in materials or workmanship during the Warranty Period, Smith-Blair will repair or, at Smith-Blair option, replace the Deliverable with the same or comparable item. If the Deliverable cannot be repaired and a suitable replacement item is not available, Smith-Blair will refund the original purchase price shown on the proof of purchase. In all cases, the Customer is responsible for returning the allegedly defective Deliverable to the factory or warehouse designated by Smith-Blair. THIS LIMITED WARRANTY IS EXCLUSIVE AND IS IN LIEU OF ANY EXPRESS OR IMPLIED WARRANTY OF MERCHANTABILITY, FITNESS FOR A PARTICULAR PURPOSE, OR OTHER WARRANTY OF QUALITY, OR THOSE ARISING FROM A COURSE OF DEALING, CUSTOM, OR USAGE OF TRADE. THE REMEDIES PROVIDED IN THIS LIMITED WARRANTY STATEMENT ARE THE CUSTOMER'S SOLE AND EXCLUSIVE REMEDIES. IN NO EVENT SHALL SMITH-BLAIR, INC. BE LIABLE FOR DIRECT, INDIRECT, SPECIAL, INCIDENTAL, OR CONSEQUENTIAL DAMAGES, WHETHER BASED ON CONTRACT, TORT, OR ANY OTHER LEGAL THEORY, AND WHETHER ADVISED OF THE POSSIBILITY OF SUCH DAMAGES.

5. **RETURNS.** All non-catalog Deliverables are considered "non-returnable". For other catalog Deliverables to be considered, return requests must be submitted in writing and approved by Smith-Blair prior to returning material. Return evaluation for any catalog Deliverable will be based upon age of material (no older than one (1) year) from shipment date, on-hand inventory and demand for those items at the time of request. Upon approval, a Return Material Authorization ("RMA") will be issued with applicable charges and terms and conditions of return. Approved Deliverables may be returned within a period of thirty (30) days after the issuance of an RMA. For proper credits to be applied, a copy of the RMA must accompany material.

A. Material must be of current design.

B. Material must be in 100% resalable condition or additional rework charges will apply. If total restocking and/or reworking charges exceed fifty percent (50%) of the product's initial price, the material should not be returned, as no credit will be allowed. Any material received requiring work exceeding fifty percent (50%) of the initial material value will be returned at the sender's expense or scrapped by Smith-Blair with no credit issued.

C. Deliverables that are engineered fabrications or special orders may not be returned.

D. Returned material should be packaged securely. Multiple items should be packed in an organized manner. Be sure to include a copy of the RMA as the packing list. Material received which is not returned in this manner will be returned at the sender's expense.

E. Shipments authorized to be returned COLLECT, but are returned PREPAID, should include a copy of the freight bill in order for credit to be issued. If Smith-Blair is to pay for a return, it will be charged to the account noted on the RMA. For material returned due to customer error any original pre-paid and allowed outbound freight charge will be debited.

F. Smith-Blair reserves the right to decline any return material where it is not covered by warranty.

6. **FREIGHT.** Freight will be prepaid and allowed on all orders that meets the minimum requirement at the time of order placement. For orders that are less than the current minimum requirement net, shipping and handling will be charged to the customer. Shipping and handling will be added to shipments expedited at the customer's request. The policy is subject to change based on market conditions.

7. **SERVICE CHARGE.** All net orders below one hundred dollars (\$100) are subject to a twenty-dollar (\$20) service charge.

8. **Corrosion & Product Selection Notice.** Metal products are subject to corrosion, particularly when used outdoors and/or underground. A large number of factors and location conditions affect the rate at which corrosion occurs. To determine the life expectancy of your Deliverable when used with your pipeline's content, soil and environment, it is best to consult a corrosion expert in your area. To determine the suitability of your selected Deliverable, also consult a system designer in your area. Failure to determine the suitability of your product for your particular application, soil, and environment can result in premature product failure. Smith-Blair can provide additional information about your product's materials specifications at your request. Contact the Smith-Blair Engineering Department at: 1-800-643-9705.



## EZW Straight Seal and Restraint Couplings

Nominal Size (In.)	Pipe Size		Catalog Number	With Low Alloy Bolts & Nuts	With 304 Stainless Steel Bolts & Nuts	Approx. Weight Each Lbs.
	Nominal O.D.			List Price	List Price	
2	2.38		EZWS00023802003	<b>\$198.72</b>	<b>\$222.71</b>	14
3	3.50		EZWS00035002003	<b>\$253.81</b>	<b>\$333.51</b>	18
3	3.80		EZWS00038002003	<b>\$293.27</b>	<b>\$328.55</b>	22
4	4.50		EZWS00045002003	<b>\$347.84</b>	<b>\$392.14</b>	22
6	6.63		EZWS00066302003	<b>\$435.49</b>	<b>\$501.95</b>	34
8	8.63		EZWS00086302003	<b>\$738.68</b>	<b>\$805.14</b>	58
12	12.75		EZWS00127502003	<b>\$1,135.58</b>	<b>\$1,268.51</b>	120

\*A properly sized stiffener must be used for PE connections

## EZW Reducing Seal and Restraint Couplings

Nominal Size (In.)	Pipe Size		Catalog Number	With Low Alloy Bolts & Nuts	With 304 Stainless Steel Bolts & Nuts	Approx. Weight Each Lbs.
	Size A	Size B		List Price	List Price	
3 to 3	3.80	3.50	EZWR03800350203	<b>\$298.23</b>	<b>\$334.06</b>	22
4 to 4	4.80	4.50	EZWR04800450203	<b>363.83</b>	<b>408.14</b>	23
6 to 4	6.63	4.50	EZWR06630450203	<b>479.59</b>	<b>546.05</b>	35
6 to 4	6.90	4.80	EZWR06900480203	<b>578.81</b>	<b>645.28</b>	43
6 to 6	6.90	6.63	EZWR06900663203	<b>545.74</b>	<b>612.20</b>	43
6OS to 6	7.10	6.90	EZWR07100690203	<b>639.35</b>	<b>705.81</b>	43
8 to 6	8.63	6.63	EZWR08630663203	<b>749.70</b>	<b>838.32</b>	60
8 to 6	9.05	6.90	EZWR09050690203	<b>815.85</b>	<b>904.47</b>	73
8 to 8	9.05	8.63	EZWR09050863203	<b>832.39</b>	<b>921.01</b>	63
8OS to 8	9.30	9.05	EZWR09300905203	<b>904.17</b>	<b>992.78</b>	68
12 to 12	13.20	12.75	EZWR13201275203	<b>1190.70</b>	<b>1334.03</b>	150

## EZW Seal and Restraint Line Caps

Nominal Size (In.)	Pipe Size	Catalog Number	With Low Alloy Bolts & Nuts	With 304 Stainless Steel Bolts & Nuts -031	Approx Weight Each Lbs.
	Nominal		List Price	List Price	
2	2.38	EZWC02380508003	<b>\$148.84</b>	<b>\$166.48</b>	14
3	3.80	EZWC03800508003	<b>222.71</b>	<b>249.17</b>	19
4	4.50	EZWC04500508003	<b>259.09</b>	<b>303.40</b>	24
4	4.80	EZWC04800514003	<b>267.91</b>	<b>312.22</b>	32
6	6.63	EZWC06630514003	<b>347.29</b>	<b>413.75</b>	52
6	6.90	EZWC06900514003	<b>396.90</b>	<b>463.37</b>	52
6OS	7.10	EZWC07100514003	<b>476.28</b>	<b>534.71</b>	55
8	8.63	EZWC08630514003	<b>553.46</b>	<b>642.08</b>	58
8	9.05	EZWC09050514003	<b>567.79</b>	<b>656.41</b>	63
8OS	9.30	EZWC09300514003	<b>681.35</b>	<b>766.24</b>	63
12	12.75	EZWC12750514003	<b>904.05</b>	<b>1008.79</b>	124
12	13.20	EZWC13200514003	<b>915.08</b>	<b>1024.22</b>	127



## EZW Maxi-Grip EZW Flanged Coupling Adapters

Nominal Size (In.)	Pipe O.D.	Catalog Number	With Low Alloy Bolts & Nuts	With 304 Stainless Steel Bolts & Nuts	Approx. Weight Each Lbs. LBS.
			List Price	List Price -031	
2	2.38	EZWF02380202003	<b>\$249.72</b>	<b>\$280.04</b>	17
3	3.80	EZWF03800302003	<b>295.47</b>	<b>330.75</b>	25
4	4.50	EZWF04500402003	<b>325.24</b>	<b>369.55</b>	35
4	4.80	EZWF04800402003	<b>336.26</b>	<b>380.57</b>	35
6	6.63	EZWF06630602003	<b>463.05</b>	<b>529.52</b>	48
6	6.90	EZWF06900602003	<b>485.10</b>	<b>551.57</b>	54
6	7.10	EZWF07100602003	<b>555.66</b>	<b>622.91</b>	54
8	8.63	EZWF08630802003	<b>650.48</b>	<b>739.10</b>	73
8	9.05	EZWF09050802003	<b>659.30</b>	<b>747.92</b>	76
8	9.30	EZWF09300802003	<b>810.34</b>	<b>909.56</b>	76
12	12.75	EZWF12750122003	<b>964.69</b>	<b>1080.45</b>	131
12	13.20	EZWF13201202003	<b>1069.43</b>	<b>1197.32</b>	132



## 431 Razorlock Wide Range Restrained Coupling

Nominal Size Inches	O.D. Inches	Catalog Number	List Price	Approx. Weight lbs.
4	4.44- 5.06	431-04440506-031	<b>560.00</b>	32
6	6.56-7.16	431-06560716-031	<b>685.00</b>	41
8	8.53-9.39	431-08530939-031	<b>900.00</b>	TBD

Note: 8" will not be available for order until mid-2026.  
Contact your Smith-Blair representative for more information.



## 471 Pipe-Lock Straight Restraint Sleeve Coupling For Ductile Iron X Ductile Iron

Nominal Size Inches	O.D. Inches	Catalog Number	Sleeve Thickness Inches	Sleeve Length Inches	Studs		List Price Each	Approx Wt. Each Lbs.	
					No.	Diameter Inches			
3	3.96	471-00000396-	0.25	7	4	0.63	16	<b>\$253.42</b>	29
4	4.80	471-00000480-	0.25	7	4	0.75	18	<b>253.42</b>	35
6	6.90	471-00000690-	0.25	7	6	0.75	18	<b>279.38</b>	52
6	6.90	471-00000690-	0.25	10	6	0.75	20	<b>470.94</b>	60
8	9.05	471-00000905-	0.25	7	6	0.75	18	<b>402.23</b>	61
8	9.05	471-00000905-	0.25	10	6	0.75	20	<b>612.38</b>	70
10	11.10	471-00001110-	0.25	7	8	0.75	18	<b>542.91</b>	90
10	11.10	471-00001110-	0.25	10	8	0.75	20	<b>853.49</b>	102
12	13.20	471-00001320-	0.25	7	8	0.75	18	<b>728.19</b>	110
12	13.20	471-00001320-	0.25	10	8	0.75	20	<b>1037.20</b>	122
14	15.30	471-00001530-	0.25	7	10	0.75	18	<b>887.75</b>	139
14	15.30	471-00001530-	0.25	10	10	0.75	20	<b>1301.36</b>	154
16	17.40	471-00001740-	0.25	7	12	0.75	18	<b>1115.32</b>	168
16	17.40	471-00001740-	0.25	10	12	0.75	20	<b>1593.27</b>	186
18	19.50	471-00001950-	0.25	7	12	0.75	18	<b>1524.36</b>	184
18	19.50	471-00001950-	0.25	10	12	0.75	20	<b>2143.19</b>	203
20	21.60	471-00002160-	0.25	7	14	0.75	18	<b>1789.44</b>	212
20	21.60	471-00002160-	0.25	10	14	0.75	20	<b>2345.41</b>	233
24	25.80	471-00002580-	0.25	7	16	0.75	18	<b>2350.08</b>	266
24	25.80	471-00002580-	0.25	10	16	0.75	20	<b>3099.42</b>	291
30	32.00	471-00003200-	0.25	10	20	1.00	30	<b>5957.49</b>	644
30	32.00	471-00003200-	0.25	16	20	1.00	36	<b>6756.65</b>	787
36	38.30	471-00003830-	0.25	10	24	1.00	30	<b>7452.31</b>	813
36	38.30	471-00003830-	0.25	16	24	1.00	36	<b>9002.06</b>	986
42	44.50	471-00004450-	0.25	10	28	1.25	30	<b>11309.87</b>	1,263
42	44.50	471-00004450-	0.25	16	28	1.25	36	<b>12249.20</b>	1,464
48	50.80	471-00005080-	0.25	10	32	1.25	30	<b>14906.23</b>	1,464
48	50.80	471-00005080-	0.25	16	32	1.25	36	<b>17143.67</b>	1,694



## 472 Pipe-Lock Straight Restraint Sleeve Couplings For PVC X PVC

Nominal Size Inches	O.D. Inches	Catalog Number	Sleeve Thick, Inches	Sleeve Length Inches	Studs			List Price Each	Approx. Wt. Each Lbs.
					No.	Diameter Inches	Length Inches		
3	3.50	472-00000350-203	0.25	7	4	0.63	16	<b>\$273.62</b>	29
4	*4.50-4.80 X *4.50-4.80	472-00000480-243	0.25	7	4	0.75	18	<b>255.30</b>	36
4	4.50	472-00000450-203	0.25	7	4	0.75	18	<b>256.71</b>	36
4	4.80	472-00000480-203	0.25	7	4	0.75	18	<b>251.76</b>	36
6	*6.63-6.90 X *6.63-6.90	472-00000690-243	0.25	7	6	0.75	18	<b>304.70</b>	60
6	*6.63-6.90 X *6.63-6.90	472-00000690-343	0.25	10	6	0.75	20	<b>496.25</b>	52
6	6.63	472-00000663-203	0.25	7	6	0.75	18	<b>306.35</b>	52
6	6.63	472-00000663-303	0.25	10	6	0.75	20	<b>497.90</b>	61
6	6.90	472-00000690-203	0.25	7	6	0.75	18	<b>303.09</b>	52
6	6.90	472-00000690-303	0.25	10	6	0.75	20	<b>494.64</b>	61
8	*8.63-9.05 X *8.63-9.05	472-00000905-243	0.25	7	6	0.75	18	<b>440.93</b>	62
8	*8.63-9.05 X *8.63-9.05	472-00000905-343	0.25	10	6	0.75	20	<b>651.07</b>	71
8	8.63	472-00000863-203	0.25	7	6	0.75	18	<b>444.18</b>	62
8	8.63	472-00000863-303	0.25	10	6	0.75	20	<b>654.34</b>	71
8	9.05	472-00000905-203	0.25	7	6	0.75	18	<b>431.81</b>	62
8	9.05	472-00000905-303	0.25	10	6	0.75	20	<b>641.95</b>	71
10	*10.75-11.10 X *10.75-11.10	472-00001110-243	0.25	7	8	0.75	18	<b>661.87</b>	92
10	*10.75-11.10 X *10.75-11.10	472-00001110-343	0.25	10	8	0.75	20	<b>972.44</b>	103
10	10.75	472-00001075-203	0.25	7	8	0.75	18	<b>672.65</b>	92
10	10.75	472-00001075-303	0.25	10	8	0.75	20	<b>983.24</b>	103
10	11.10	472-00001110-203	0.25	7	8	0.75	18	<b>652.53</b>	92
10	11.10	472-00001110-303	0.25	10	8	0.75	20	<b>963.11</b>	103
12	*12.75-13.20 X *12.75-13.20	472-00001320-243	0.25	7	8	0.75	18	<b>774.71</b>	110
12	*12.75-13.20 X *12.75-13.20	472-00001320-343	0.25	10	8	0.75	20	<b>1083.72</b>	110
12	12.75	472-00001275-203	0.25	7	8	0.75	18	<b>792.51</b>	114
12	12.75	472-00001275-303	0.25	10	8	0.75	20	<b>1101.52</b>	125
12	13.20	472-00001320-203	0.25	7	8	0.75	18	<b>763.73</b>	125
12	13.20	472-00001320-303	0.25	10	8	0.75	20	<b>1072.74</b>	114
14	15.30	472-00001530-203	0.25	7	10	0.75	18	<b>1034.66</b>	142
14	15.30	472-00001530-303	0.25	10	10	0.75	20	<b>1448.28</b>	157
16	17.40	472-00001740-203	0.25	7	12	0.75	18	<b>1283.87</b>	190
16	17.40	472-00001740-303	0.25	10	12	0.75	20	<b>1761.80</b>	190
18	19.50	472-00001950-203	0.25	7	12	0.75	18	<b>1645.65</b>	190
18	19.50	472-00001950-303	0.25	10	12	0.75	20	<b>2075.52</b>	208
20	21.60	472-00002160-203	0.25	7	14	0.75	18	<b>1930.23</b>	218
20	21.60	472-00002160-303	0.25	10	14	0.75	20	<b>2486.18</b>	240
24	25.80	472-00002580-203	0.25	7	16	0.75	18	<b>2490.19</b>	272
24	25.80	472-00002580-303	0.25	10	16	0.75	20	<b>3239.53</b>	297
30	32.00	472-00003200-303	0.25	10	20	1.00	30	<b>6294.49</b>	650
30	32.00	472-00003200-503	0.25	16	20	1.00	36	<b>7093.17</b>	793
36	38.30	472-00003830-303	0.25	10	24	1.00	30	<b>7954.29</b>	821
36	38.30	472-00003830-503	0.25	16	24	1.00	36	<b>9532.57</b>	993



## 473 Pipe-Lock Straight Restraint Sleeve Couplings For PVC X Ductile Iron

Nominal Size Inches	O.D. Inches		Catalog Number	Slv. Thickness Inches	Slv. Length Inches	Studs			List Price Each	Approx. Wt. Each Lbs.
	PVC	DI				No.	Diameter Inches	Length Inches		
3	3.50	3.96	473-03500396-203	0.25	7	4	0.63	16	<b>\$263.52</b>	29
4	*4.50-4.80	4.80	473-04800480-243	0.25	7	4	0.75	18	<b>244.28</b>	36
4	4.50	4.80	473-04500480-203	0.25	7	4	0.75	18	<b>245.00</b>	36
4	4.80	4.80	473-04800480-203	0.25	7	4	0.75	18	<b>242.52</b>	36
6	*6.63-6.90	6.90	473-06900690-243	0.25	7	6	0.75	18	<b>292.04</b>	52
6	*6.63-6.90	6.90	473-06900690-343	0.25	10	6	0.75	20	<b>483.59</b>	61
6	6.63	6.90	473-06630690-203	0.25	7	6	0.75	18	<b>293.70</b>	52
6	6.90	6.90	473-06900690-303	0.25	10	6	0.75	20	<b>481.98</b>	60
8	*8.63-9.05	9.05	473-09050905-243	0.25	7	6	0.75	18	<b>421.59</b>	62
8	*8.63-9.05	9.05	473-09050905-343	0.25	10	6	0.75	20	<b>631.73</b>	70
8	8.63	9.05	473-08630905-203	0.25	7	6	0.75	18	<b>423.21</b>	61
8	9.05	9.05	473-09050905-303	0.25	10	6	0.75	20	<b>627.17</b>	70
10	*10.75-11.10	11.10	473-11101110-243	0.25	7	8	0.75	18	<b>602.39</b>	103
10	*10.75-11.10	11.10	473-11101110-343	0.25	10	8	0.75	20	<b>912.96</b>	101
10	10.75	11.10	473-10751110-203	0.25	7	8	0.75	18	<b>607.78</b>	90
10	10.75	11.10	473-10751110-303	0.25	10	8	0.75	20	<b>918.36</b>	101
10	11.10	11.10	473-11101110-203	0.25	7	8	0.75	18	<b>597.72</b>	90
10	11.10	11.10	473-11101110-303	0.25	10	8	0.75	20	<b>908.29</b>	101
12	*12.75-13.20	13.20	473-13201320-243	0.25	7	8	0.75	18	<b>751.44</b>	110
12	*12.75-13.20	13.20	473-13201320-343	0.25	10	8	0.75	20	<b>1060.46</b>	125
12	12.75	13.20	473-12751320-203	0.25	7	8	0.75	18	<b>760.35</b>	111
12	12.75	13.20	473-12751320-303	0.25	10	8	0.75	20	<b>1069.36</b>	123
12	13.20	13.20	473-13201320-203	0.25	7	8	0.75	18	<b>745.96</b>	111
12	13.20	13.20	473-13201320-303	0.25	10	8	0.75	20	<b>1054.96</b>	123
14	15.30	15.30	473-15301530-203	0.25	7	10	0.75	18	<b>961.21</b>	141
14	15.30	15.30	473-15301530-303	0.25	10	10	0.75	20	<b>1374.82</b>	156
16	17.40	17.40	473-17401740-203	0.25	7	12	0.75	18	<b>1199.58</b>	170
16	17.40	17.40	473-17401740-303	0.25	10	12	0.75	20	<b>1677.53</b>	187
18	19.50	19.50	473-19501950-203	0.25	7	12	0.75	18	<b>1585.01</b>	187
18	19.50	19.50	473-19501950-303	0.25	10	12	0.75	20	<b>2014.88</b>	206
20	21.60	21.60	473-21602160-203	0.25	7	14	0.75	18	<b>1859.83</b>	215
20	21.60	21.60	473-21602160-303	0.25	10	14	0.75	20	<b>2415.79</b>	236
24	25.80	25.80	473-25802580-203	0.25	7	16	0.75	18	<b>2420.13</b>	269
24	25.80	25.80	473-25802580-303	0.25	10	16	0.75	20	<b>3169.48</b>	294
30	32.00	32.00	473-32003200-303	0.25	10	20	1.00	30	<b>6158.70</b>	647
30	32.00	32.00	473-32003200-503	0.25	16	20	1.00	36	<b>6957.38</b>	790
36	38.30	38.30	473-38303830-303	0.25	10	24	1.00	30	<b>7669.58</b>	817
36	38.30	38.30	473-38303830-503	0.25	16	24	1.00	36	<b>9219.32</b>	989



## 477 Pipe-Lock Straight Restraint Sleeves

Nominal Size Inches	Catalog Number	Sleeve Thickness Inches	Sleeve Length Inches	List Price Each	Approx. Wt. Each Lbs.
3	477-00030003-200D	0.25	7	<b>\$80.58</b>	9
4	477-00040004-200D	0.25	7	<b>106.64</b>	12
6	477-00060006-200D	0.25	7	<b>123.98</b>	16
6	477-00060006-300D	0.25	10	<b>161.19</b>	21
8	477-00080008-200D	0.25	7	<b>192.18</b>	21
8	477-00080008-300D	0.25	10	<b>247.97</b>	27
10	477-00100010-200D	0.25	7	<b>250.45</b>	25
10	477-00100010-300D	0.25	10	<b>353.34</b>	33
12	477-00120012-200D	0.25	7	<b>338.47</b>	29
12	477-00120012-300D	0.25	10	<b>442.61</b>	36
14	477-00140014-200D	0.25	7	<b>368.40</b>	34
14	477-00140014-300D	0.25	10	<b>526.63</b>	44
16	477-00160016-200D	0.25	7	<b>429.80</b>	38
16	477-00160016-300D	0.25	10	<b>601.86</b>	50
18	477-00180018-200D	0.25	7	<b>623.45</b>	42
18	477-00180018-300D	0.25	10	<b>747.43</b>	56
20	477-00200020-200D	0.25	7	<b>695.48</b>	47
20	477-00200020-300D	0.25	10	<b>895.03</b>	62
24	477-00240024-200D	0.25	7	<b>1062.71</b>	55
24	477-00240024-300D	0.25	10	<b>1405.12</b>	80
30	477-00300030-300D	0.25	10	<b>2460.74</b>	90
30	477-00300030-500D	0.25	16	<b>3188.10</b>	95
36	477-00360036-300D	0.25	10	<b>3022.79</b>	153
36	477-00360036-500D	0.25	16	<b>4486.95</b>	159
42	477-00420042-300D	0.25	10	<b>4723.11</b>	180
42	477-00420042-500D	0.25	16	<b>5667.73</b>	184
48	477-00480048-300D	0.25	10	<b>6612.35</b>	205
48	477-00480048-500D	0.25	16	<b>8855.84</b>	210

**470 - Series Reducing Couplings Available. Please contact your Xylem Smith-Blair representative for information.**

**474 - Reducing— Ductile Iron X Ductile Iron Example: 474— 50.80 X 32.00**

**475 - Reducing— PVC X PVC Example: 475—38.30 X 25.80**

**476 - Reducing—PVC X Ductile Iron Example: 476—10.75 X 6.90**



## 907 Restraint Plates Three Hole Triangular of Carbon Steel

Fig Size In.	Recommended Tie-Rod O.D. Quantity Maximum Pressure					"T" = Lug Thickness Inches	Tie-Rod Size Inches	"D" = Lug Diameter Inches	Catalog Number Each Lug	List Price		Approx Wgt. Lbs.
	50	100	150	200	250					Epoxy Coated	Bare	
										000	-001	
4	2	2	2	2	2	0.50	0.63	6.19	907-04000001	\$64.95	\$61.39	2
6	2	2	2	2	2	0.50	0.63	7.43	907-06000001	64.95	61.39	3
8	2	2	2	2	2	0.50	0.63	10.25	907-08000001	64.95	61.39	4
10	2	2	2	3	3	0.63	0.63	12.50	907-10000101	76.76	73.21	5
12	2	2	3	3	4	0.63	0.63	15.25	907-12000101	76.76	73.21	6
14	2	2	3	3	4	0.75	0.75	16.75	907-14000202	90.92	87.37	6
16	2	2	2	2	3	0.75	1.00	19.25	907-16000204	93.28	89.74	7
18	2	2	2	3	4	1.00	1.00	20.62	907-18000404	129.89	126.35	9
20	2	2	3	3	4	1.00	1.00	22.88	907-20000404	129.89	126.35	10
24	2	2	2	3	4	1.00	1.25	27.12	907-24000406	135.80	133.42	11
30	2	2	3	4	6	1.25	1.25	33.62	907-30000606	206.64	203.09	14
36	2	3	5	6	8	1.25	1.25	40.00	907-36000606	206.64	203.09	16
42	2	4	6	8	10	1.25	1.25	46.75	907-42000606	206.64	203.09	20
48	2	4	6	8	9	1.50	1.50	53.25	907-48000808	295.20	291.66	22

ASTM A36 or ASTM A283 Grade C.

Other materials, coatings, thicknesses and rod size combinations available upon request.

Note 1: CAUTION: Check lug diameter for clearance over the flange hub. Some threaded flanges have large diameter hubs which may cause interference. Note 2: It is recommended that the Tie Rods be symmetrically spaced around the flange bolt circle.

Part number example: 24 inch flange = 907-24000406-000.

### Tie Rods and Nuts (Recommended for use with 907 Restraint plates)

Tie Rod and Nut Sets Alloy Steel All Thread Set = 1 Rod and 4 Nuts						
Size UNC	18"		24"		30"	
	Catalog	List Price	Catalog Number	List Price	Catalog Number	List Price
5/8	101-00090040-404	\$21.18	101-00090874-404	\$22.92	101-00090684-404	\$26.24
3/4	101-00090720-404	26.67	101-00090857-404	35.85	101-00090858-404	42.03
1	101-00090739-404	61.16	101-00090480-404	70.12	101-00090862-404	79.12
1 1/4	101-00090865-404	98.46	101-00090866-404	112.91	101-00090867-404	126.74
1 1/2	101-00090870-404	120.89	101-00090721-404	143.04	101-00090871-404	164.52

Tie Rod and Nut Sets Alloy Steel All Thread Set = 1 Rod and 4 Nuts						
Size UNC	36"		42"		48"	
	Catalog Number	List Price	Catalog Number	List Price	Catalog Number	List Price
5/8	101-00090541-404	\$31.35	101-00090855-404	\$36.80	101-00090856-404	\$39.33
3/4	101-00090859-404	48.153	101-00090860-404	54.34	101-00090861-404	60.47
1	101-00090852-404	87.885	101-00090863-404	97.17	101-00090864-404	105.82
1 1/4	101-00090828-404	141.75	101-00090868-404	156.20	101-00090869-404	170.53
1 1/2	101-00090872-404	186.1125	101-00090873-404	207.26	101-00090407-404	226.43

#### Standard Material

Rods - Alloy steel per ASTM A193 Grade B7

Nuts - Low alloy steel heavy hex per ANSI A21.11 AWWA C 111 Other rod materials and rod size combinations available upon request.



## 911 Flange-Lock MJ Coupling Adapters For DI and Steel With Mechanical Joint Restraints (Class D Flanges)

Nominal Size Inches	O.D. Inches	Nominal Flange Inches	Catalog Number	List Price Each	Approx. Wt. Lbs.
3	3.96	3	911-03960300-000	<b>\$250.98</b>	25
4	4.80	4	911-04800400-000	<b>328.88</b>	37
6	6.90	6	911-06900600-000	<b>434.69</b>	49
8	9.05	8	911-09050800-000	<b>464.05</b>	62
10	11.10	10	911-11101000-000	<b>777.35</b>	85
12	13.20	12	911-13201200-000	<b>1038.03</b>	112
14	15.30	14	911-15301400-000	<b>1172.54</b>	134
16	17.40	16	911-17401600-000	<b>1413.96</b>	163
18	19.50	18	911-19501800-000	<b>1597.03</b>	176
20	21.60	20	911-21602000-000	<b>1970.80</b>	206
24	25.80	24	911-25802400-000	<b>2432.50</b>	264
30	32.00	30	911-32003000-000	<b>5667.73</b>	563
36	38.30	36	911-38303600-000	<b>7816.75</b>	749
42	44.50	42	911-44504200-000	<b>11418.12</b>	1091
48	50.80	48	911-50804800-000	<b>16306.54</b>	1272

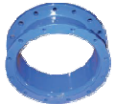
911, 920 and 923 - Flexi-Coat Epoxy Coating. 911 Restraint FCA for DI and Carbon Steel (3"-12")\*\*\* Pipe - Class D Flange\*\*



## 920 Flange-Lock Restrained Flange Coupling Adapters For PVC Pipe (Class D Flanges)

Nominal Size Inches	O.D. Range Inches	Nominal Flange Inches	Catalog Number	List Price Each	Approx. Wt. Lbs.
3	3.50	3	920-03500300-000	<b>\$257.90</b>	26
4	*4.50-4.80	4	920-04800400-100	<b>332.76</b>	35
4	4.50	4	920-04500400-000	<b>334.10</b>	35
4	4.80	4	920-04800400-000	<b>331.68</b>	35
6	*6.63-6.90	6	920-06900600-100	<b>437.50</b>	49
6	6.63	6	920-06630600-000	<b>439.92</b>	49
6	6.90	6	920-06900600-000	<b>439.92</b>	49
8	*8.63-9.05	8	920-09050800-100	<b>469.84</b>	62
8	8.63	8	920-08630800-000	<b>472.71</b>	62
8	9.05	8	920-09050800-000	<b>466.63</b>	62
10	*10.75-11.10	10	920-11101000-100	<b>784.67</b>	86
10	10.75	10	920-10751000-000	<b>799.22</b>	86
10	11.10	10	920-11101000-000	<b>781.57</b>	86
12	*12.75-13.20	12	920-13201200-100	<b>1042.35</b>	113
12	12.75	12	920-12751200-000	<b>1054.57</b>	113
12	13.20	12	920-13201200-000	<b>1054.41</b>	130
14	15.30	14	920-15301400-000	<b>1246.11</b>	136
16	17.40	16	920-17401600-000	<b>1506.14</b>	165
18	19.50	18	920-19501800-000	<b>1660.10</b>	178
20	21.60	20	920-21602000-000	<b>2049.02</b>	209
24	25.80	24	920-25802400-000	<b>2500.54</b>	268
30	32.00	30	920-32003000-000	<b>5903.89</b>	566
36	38.30	36	920-38303600-000	<b>8041.10</b>	752

911, 920 and 923 - Flexi-Coat Epoxy Coating (Continued) 920 Restraint FCA for PVC Pipe - Class D Flange\*\*  
\*Utilizes Mult-Seal Gasket.



## 923 Flange-Lock Flanged Coupling Adapter Bodies

923 FCA-body only-works with Mechanical Joint Restraints - Class D Flange\*\*

Nominal Size Inches	O.D. Range Inches	Nominal Flange Inches	Catalog Number	List Price Each	Approx. Wt. Each Lbs.
3	3.50-3.96	3	923-00000300-000	<b>\$186.54</b>	38
4	4.50-4.80	4	923-00000400-000	<b>252.68</b>	49
6	6.63-6.90	6	923-00000600-000	<b>328.99</b>	55
8	8.63-9.05	8	923-00000800-000	<b>342.08</b>	60
10	10.75-11.10	10	923-00001000-000	<b>582.47</b>	69
12	13.20	12	923-00001200-000	<b>864.44</b>	73
14	15.30	14	923-00001400-000	<b>922.04</b>	80
16	17.40	16	923-00001600-000	<b>1103.70</b>	97
18	19.50	18	923-00001800-000	<b>1173.43</b>	104
20	21.60	20	923-00002000-000	<b>1458.44</b>	122
24	25.80	24	923-00002400-000	<b>1817.32</b>	157
30	32.00	30	923-00003000-000	<b>3795.36</b>	275
36	38.30	36	923-00003600-000	<b>5376.76</b>	383
42	44.50	42	923-00004200-000	<b>7836.72</b>	506
48	50.80	48	923-00004800-000	<b>11667.21</b>	593

Other sleeve lengths available. Reducing styles available.

\*\*300 lb. flange, metric and other flanges available.



## 221 Full Circle Repair Clamps Single Band, Low Pressure (5" Width Only)

Nominal Size Inches	O.D. Range Inches	Width Inches	With Low Alloy Bolts & Nuts		With 304 Stainless Steel Bolts & Nuts		Approx. Weight Lbs.
			Catalog Number	List Price	Catalog Number	List Price	
2	2.35 - 2.63	5	221-00023805-000	<b>\$99.34</b>	221-00023805-001	<b>\$124.46</b>	6
2 1/4-2 1/2	2.70 - 3.00	5	221-00027505-000	<b>106.98</b>	221-00027505-001	<b>132.13</b>	6
3	2.97-3.25	5	221-00030005-000	<b>109.89</b>	221-00030005-001	<b>135.00</b>	6
3	3.46-3.70	5	221-00035005-000	<b>111.88</b>	221-00035005-001	<b>136.89</b>	7
3-4	3.73-4.00	5	221-00037505-000	<b>115.74</b>	221-00037505-001	<b>140.72</b>	7
3-4	3.96-4.25	5	221-00040005-000	<b>117.32</b>	221-00040005-001	<b>143.84</b>	7
4	4.45 - 4.73	5	221-00045005-000	<b>118.80</b>	221-00045005-001	<b>144.64</b>	7
4	4.74 - 5.14	5	221-00048005-000	<b>120.26</b>	221-00048005-001	<b>145.16</b>	7
4-5	4.95 - 5.35	5	221-00050005-000	<b>121.72</b>	221-00050005-001	<b>146.67</b>	7
4-5	5.22 - 5.62	5	221-00052505-000	<b>123.24</b>	221-00052505-001	<b>148.19</b>	7
6	5.95 - 6.35	5	221-00060005-000	<b>124.70</b>	221-00060005-001	<b>149.63</b>	8
6	6.56 - 6.96	5	221-00066305-000	<b>127.46</b>	221-00066305-001	<b>152.29</b>	8
6	6.84 - 7.24	5	221-00069005-000	<b>131.53</b>	221-00069005-001	<b>156.35</b>	8
6	7.05 - 7.45	5	221-00071005-000	<b>138.67</b>	221-00071005-001	<b>160.73</b>	8
6	7.45 - 7.85	5	221-00074505-000	<b>141.96</b>	221-00074505-001	<b>166.70</b>	8
8	7.95 - 8.35	5	221-00080005-000	<b>147.00</b>	221-00080005-001	<b>171.63</b>	8
8	8.54 - 8.94	5	221-00086305-000	<b>152.88</b>	221-00086305-001	<b>177.48</b>	9
8	8.99 - 9.39	5	221-00090505-000	<b>158.80</b>	221-00090505-001	<b>183.30</b>	9
8	9.27 - 9.67	5	221-00094005-000	<b>166.39</b>	221-00094005-001	<b>190.86</b>	9
8-10	9.70 - 10.10	5	221-00100005-000	<b>180.22</b>	221-00100005-001	<b>204.46</b>	9
8-10	10.10 - 10.50	5	221-00102005-000	<b>193.99</b>	221-00102005-001	<b>218.19</b>	9
10	10.64 - 11.04	5	221-00107505-000	<b>207.75</b>	221-00107505-001	<b>231.80</b>	10
10	11.04 - 11.44	5	221-00111005-000	<b>214.60</b>	221-00111005-001	<b>238.57</b>	10
10	11.34 - 11.74	5	221-00114005-000	<b>217.07</b>	221-00114005-001	<b>240.98</b>	10
10	11.75 - 12.15	5	221-00117505-000	<b>219.26</b>	221-00117505-001	<b>243.19</b>	10
10-12	12.00 - 12.40	5	221-00120005-000	<b>222.98</b>	221-00120005-001	<b>245.71</b>	10
12	12.62 - 13.02	5	221-00127505-000	<b>230.22</b>	221-00127505-001	<b>254.00</b>	10
12	13.10 - 13.50	5	221-00132005-000	<b>237.97</b>	221-00132005-001	<b>261.63</b>	10
12	13.40 - 13.80	5	221-00134005-000	<b>239.89</b>	221-00134005-001	<b>263.56</b>	10
12-14	13.70 - 14.10	5	221-00137005-000	<b>243.89</b>	221-00137005-001	<b>267.54</b>	11
12-14	14.00 - 14.40	5	221-00140005-000	<b>247.92</b>	221-00140005-001	<b>271.51</b>	11



## 226 Full Circle Repair Clamps Single Band

Nominal Size Inches	O.D. Range Inches	Width Inches	With Low Alloy Bolts & Nuts		With 304 Stainless Steel Bolts & Nuts		Approx Weight lbs.
			Catalog Number	List Price	Catalog Number	List Price	
2	2.35 - 2.63	7.5	226-00023807-000	<b>\$108.73</b>	226-00023807-001	<b>\$139.70</b>	9
		10	226-00023810-000	<b>163.85</b>	226-00023810-001	<b>197.73</b>	12
		13	226-00023812-000	<b>192.99</b>	226-00023812-001	<b>228.12</b>	15
		15	226-00023815-000	<b>221.99</b>	226-00023815-001	<b>259.13</b>	18
2 1/4-2 1/2	2.70 - 3.00	7.5	226-00027507-000	<b>118.08</b>	226-00027507-001	<b>148.88</b>	9
		10	226-00027510-000	<b>174.87</b>	226-00027510-001	<b>208.85</b>	12
		12.5	226-00027512-000	<b>203.31</b>	226-00027512-001	<b>238.13</b>	15
		15	226-00027515-000	<b>237.88</b>	226-00027515-001	<b>273.71</b>	18
3	2.97-3.25	7.5	226-00030007-000	<b>126.14</b>	226-00030007-001	<b>157.38</b>	10
		10	226-00030010-000	<b>179.64</b>	226-00030010-001	<b>213.50</b>	12
		12.5	226-00030012-000	<b>209.64</b>	226-00030012-001	<b>244.98</b>	15
		15	226-00030015-000	<b>246.19</b>	226-00030015-001	<b>314.14</b>	18
3	3.46 - 3.70	7.5	226-00035007-000	<b>129.19</b>	226-00035007-001	<b>162.56</b>	10
		10	226-00035010-000	<b>182.82</b>	226-00035010-001	<b>218.69</b>	13
		12.5	226-00035012-000	<b>214.35</b>	226-00035012-001	<b>251.20</b>	16
		15	226-00035015-000	<b>254.47</b>	226-00035015-001	<b>290.14</b>	18
3-4	3.73 - 4.00	7.5	226-00037507-000	<b>132.34</b>	226-00037507-001	<b>165.56</b>	9
		10	226-00037510-000	<b>189.21</b>	226-00037510-001	<b>225.21</b>	13
		12.5	226-00037512-000	<b>220.58</b>	226-00037512-001	<b>261.39</b>	16
		15	226-00037515-000	<b>262.78</b>	226-00037515-001	<b>301.07</b>	18
3-4	3.96 - 4.25	7.5	226-00040007-000	<b>137.08</b>	226-00040007-001	<b>170.53</b>	10
		10	226-00040010-000	<b>195.46</b>	226-00040010-001	<b>231.78</b>	13
		12.5	226-00040012-000	<b>232.86</b>	226-00040012-001	<b>270.95</b>	16
		15	226-00040015-000	<b>271.07</b>	226-00040015-001	<b>309.27</b>	18
4	4.45 - 4.73	7.5	226-00045007-000	<b>141.90</b>	226-00045007-001	<b>175.74</b>	10
		10	226-00045010-000	<b>197.72</b>	226-00045010-001	<b>237.05</b>	13
		12.5	226-00045012-000	<b>239.58</b>	226-00045012-001	<b>278.10</b>	17
		15	226-00045015-000	<b>279.33</b>	226-00045015-001	<b>317.51</b>	19
4	4.74 - 5.14	7.5	226-00048007-000	<b>146.87</b>	226-00048007-001	<b>187.87</b>	11
		10	226-00048010-000	<b>198.61</b>	226-00048010-001	<b>258.58</b>	15
		12.5	226-00048012-000	<b>240.70</b>	226-00048012-001	<b>303.69</b>	18
		15	226-00048015-000	<b>290.36</b>	226-00048015-001	<b>374.61</b>	21
		20	226-00048020-000	<b>389.96</b>	226-00048020-001	<b>512.64</b>	28
		25	226-00048025-000	<b>489.58</b>	226-00048025-001	<b>636.57</b>	35
4-5	4.95 - 5.35	30	226-00048030-000	<b>600.59</b>	226-00048030-001	<b>771.75</b>	41
		7.5	226-00050007-000	<b>148.44</b>	226-00050007-001	<b>192.39</b>	11
		10	226-00050010-000	<b>201.39</b>	226-00050010-001	<b>262.52</b>	14
		12.5	226-00050012-000	<b>253.34</b>	226-00050012-001	<b>326.75</b>	17
		15	226-00050015-000	<b>293.19</b>	226-00050015-001	<b>380.27</b>	21
		20	226-00050020-000	<b>398.50</b>	226-00050020-001	<b>518.26</b>	28
		25	226-00050025-000	<b>498.12</b>	226-00050025-001	<b>642.19</b>	35
		30	226-00050030-000	<b>609.82</b>	226-00050030-001	<b>778.46</b>	42



## 226 Full Circle Repair Clamps Single Band

Nominal Size Inches	O.D. Range Inches	Width Inches	With Low Alloy Bolts & Nuts		With 304 S/S Bolts & Nuts		Approx. Weight lbs.
			Catalog Number	List Price	Catalog Number	List Price	
8	7.95 - 8.35	7.5	226-00080007-000	<b>191.97</b>	226-00080007-001	<b>239.06</b>	13
		10	226-00080010-000	<b>259.30</b>	226-00080010-001	<b>324.32</b>	16
		12.5	226-00080012-000	<b>307.46</b>	226-00080012-001	<b>384.56</b>	21
		15	226-00080015-000	<b>355.76</b>	226-00080015-001	<b>447.84</b>	25
		20	226-00080020-000	<b>516.22</b>	226-00080020-001	<b>642.84</b>	33
		25	226-00080025-000	<b>617.75</b>	226-00080025-001	<b>771.98</b>	35
		30	226-00080030-000	<b>730.78</b>	226-00080030-001	<b>912.61</b>	49
8	8.54 - 8.94	7.5	226-00086307-000	<b>200.96</b>	226-00086307-001	<b>249.65</b>	13
		10	226-00086310-000	<b>270.62</b>	226-00086310-001	<b>335.77</b>	17
		12.5	226-00086312-000	<b>322.20</b>	226-00086312-001	<b>401.76</b>	21
		15	226-00086315-000	<b>384.28</b>	226-00086315-001	<b>476.03</b>	26
		20	226-00086320-000	<b>539.46</b>	226-00086320-001	<b>665.81</b>	34
		25	226-00086325-000	<b>640.97</b>	226-00086325-001	<b>797.79</b>	43
8	8.99 - 9.39	7.5	226-00090507-000	<b>207.36</b>	226-00090507-001	<b>255.39</b>	13
		10	226-00090510-000	<b>274.38</b>	226-00090510-001	<b>338.64</b>	18
		12.5	226-00090512-000	<b>332.05</b>	226-00090512-001	<b>410.42</b>	22
		15	226-00090515-000	<b>395.67</b>	226-00090515-001	<b>492.93</b>	26
		20	226-00090520-000	<b>548.15</b>	226-00090520-001	<b>677.30</b>	34
		25	226-00090525-000	<b>655.47</b>	226-00090525-001	<b>809.27</b>	43
8	9.27 - 9.67	7.5	226-00094007-000	<b>211.94</b>	226-00094007-001	<b>261.19</b>	13
		10	226-00094010-000	<b>285.11</b>	226-00094010-001	<b>350.12</b>	17
		12.5	226-00094012-000	<b>339.35</b>	226-00094012-001	<b>419.01</b>	22
		15	226-00094015-000	<b>401.35</b>	226-00094015-001	<b>500.82</b>	26
		20	226-00094020-000	<b>568.40</b>	226-00094020-001	<b>697.35</b>	34
		25	226-00094025-000	<b>669.93</b>	226-00094025-001	<b>823.70</b>	44
8-10	9.70 - 10.10	7.5	226-00100007-000	<b>226.10</b>	226-00100007-001	<b>271.06</b>	14
		10	226-00100010-000	<b>309.58</b>	226-00100010-001	<b>372.00</b>	18
		12.5	226-00100012-000	<b>368.72</b>	226-00100012-001	<b>438.51</b>	22
		15	226-00100015-000	<b>451.11</b>	226-00100015-001	<b>539.41</b>	27
		20	226-00100020-000	<b>604.20</b>	226-00100020-001	<b>720.10</b>	35
		25	226-00100025-000	<b>657.93</b>	226-00100025-001	<b>823.76</b>	44
10	10.64 - 11.04	7.5	226-00107507-000	<b>247.10</b>	226-00107507-001	<b>281.69</b>	14
		10	226-00107510-000	<b>330.30</b>	226-00107510-001	<b>390.60</b>	19
		12.5	226-00107512-000	<b>384.05</b>	226-00107512-001	<b>462.35</b>	23
		15	226-00107515-000	<b>491.39</b>	226-00107515-001	<b>584.61</b>	27
		20	226-00107520-000	<b>657.94</b>	226-00107520-001	<b>781.21</b>	36
		25	226-00107525-000	<b>719.70</b>	226-00107525-001	<b>908.80</b>	45
		30	226-00107530-000	<b>982.82</b>	226-00107530-001	<b>1163.84</b>	55



## 226 Full Circle Repair Clamps Single Band

Nominal Size Inches	O.D. Range Inches	Width Inches	With Low Alloy Bolts & Nuts		With 304 Stainless Steel Bolts & Nuts		Approx Weight lbs.
			Catalog Number	List Price	Catalog Number	List Price	
10	11.04 - 11.44	7.5	226-00111007-000	<b>\$252.39</b>	226-00111007-001	<b>\$294.93</b>	14
		10	226-00111010-000	<b>341.01</b>	226-00111010-001	<b>395.92</b>	19
		12.5	226-00111012-000	<b>392.04</b>	226-00111012-001	<b>470.33</b>	23
		15	226-00111015-000	<b>494.08</b>	226-00111015-001	<b>595.16</b>	28
		20	226-00111020-000	<b>660.56</b>	226-00111020-001	<b>802.52</b>	37
		25	226-00111025-000	<b>741.12</b>	226-00111025-001	<b>956.62</b>	46
		30	226-00111030-000	<b>1004.25</b>	226-00111030-001	<b>1190.43</b>	55
10	11.34 - 11.74	7.5	226-00114007-000	<b>252.39</b>	226-00114007-001	<b>300.31</b>	15
		10	226-00114010-000	<b>349.08</b>	226-00114010-001	<b>403.94</b>	19
		12.5	226-00114012-000	<b>408.17</b>	226-00114012-001	<b>480.93</b>	24
		15	226-00114015-000	<b>504.85</b>	226-00114015-001	<b>621.79</b>	28
		20	226-00114020-000	<b>684.77</b>	226-00114020-001	<b>813.13</b>	38
		25	226-00114025-000	<b>765.35</b>	226-00114025-001	<b>983.18</b>	47
		30	226-00114030-000	<b>1009.70</b>	226-00114030-001	<b>1193.14</b>	57
10	11.75 - 12.15	7.5	226-00117507-000	<b>257.75</b>	226-00117507-001	<b>305.58</b>	15
		10	226-00117510-000	<b>351.77</b>	226-00117510-001	<b>406.54</b>	20
		12.5	226-00117512-000	<b>416.25</b>	226-00117512-001	<b>491.63</b>	24
		15	226-00117515-000	<b>522.55</b>	226-00117515-001	<b>627.11</b>	28
		20	226-00117520-000	<b>692.80</b>	226-00117520-001	<b>821.10</b>	38
		25	226-00117525-000	<b>800.19</b>	226-00117525-001	<b>1012.41</b>	48
		30	226-00117530-000	<b>1033.85</b>	226-00117530-001	<b>1195.75</b>	57
10-12	12.00 - 12.40	7.5	226-00120007-000	<b>263.13</b>	226-00120007-001	<b>310.86</b>	15
		10	226-00120010-000	<b>354.46</b>	226-00120010-001	<b>417.19</b>	20
		12.5	226-00120012-000	<b>445.54</b>	226-00120012-001	<b>499.59</b>	25
		15	226-00120015-000	<b>526.37</b>	226-00120015-001	<b>826.42</b>	29
		20	226-00120020-000	<b>700.84</b>	226-00120020-001	<b>826.42</b>	39
		25	226-00120025-000	<b>821.73</b>	226-00120025-001	<b>1025.70</b>	49
		30	226-00120030-000	<b>1044.65</b>	226-00120030-001	<b>1201.07</b>	59
12	12.62 - 13.02	7.5	226-00127507-000	<b>276.59</b>	226-00127507-001	<b>326.85</b>	16
		10	226-00127510-000	<b>362.52</b>	226-00127510-001	<b>430.50</b>	20
		12.5	226-00127512-000	<b>451.86</b>	226-00127512-001	<b>523.46</b>	25
		15	226-00127515-000	<b>553.19</b>	226-00127515-001	<b>640.40</b>	29
		20	226-00127520-000	<b>727.68</b>	226-00127520-001	<b>850.29</b>	39
		25	226-00127525-000	<b>864.71</b>	226-00127525-001	<b>1062.89</b>	50
		30	226-00127530-000	<b>1109.03</b>	226-00127530-001	<b>1270.15</b>	60
12	13.10 - 13.50	7.5	226-00132007-000	<b>284.67</b>	226-00132007-001	<b>332.20</b>	17
		10	226-00132010-000	<b>378.61</b>	226-00132010-001	<b>443.76</b>	21
		12.5	226-00132012-000	<b>458.15</b>	226-00132012-001	<b>539.41</b>	25
		15	226-00132015-000	<b>569.30</b>	226-00132015-001	<b>661.65</b>	29
		20	226-00132020-000	<b>751.93</b>	226-00132020-001	<b>879.53</b>	40
		25	226-00132025-000	<b>878.12</b>	226-00132025-001	<b>1094.77</b>	51
		30	226-00132030-000	<b>1138.58</b>	226-00132030-001	<b>1286.08</b>	61



## 226 Full Circle Repair Clamps Single Band

Nominal Size Inches	O.D. Range Inches	Width Inches	With Low Alloy Bolts & Nuts		With 304 S/S Bolts & Nuts		Approx. Weightlbs
			Catalog Number	List Price	Catalog Number	List Price	
12	13.40 - 13.80	7.5	226-00134007-000	<b>\$290.02</b>	226-00134007-001	<b>\$334.79</b>	18
		10	226-00134010-000	<b>381.30</b>	226-00134010-001	<b>449.10</b>	21
		12.5	226-00134012-000	<b>461.87</b>	226-00134012-001	<b>547.41</b>	27
		15	226-00134015-000	<b>577.34</b>	226-00134015-001	<b>669.65</b>	32
		20	226-00134020-000	<b>757.25</b>	226-00134020-001	<b>890.20</b>	42
		25	226-00134025-000	<b>896.90</b>	226-00134025-001	<b>1105.38</b>	53
		30	226-00134030-000	<b>1154.67</b>	226-00134030-001	<b>1302.05</b>	64
12-14	13.70 - 14.10	7.5	226-00137007-000	<b>295.38</b>	226-00137007-001	<b>345.43</b>	18
		10	226-00137010-000	<b>386.72</b>	226-00137010-001	<b>454.40</b>	22
		12.5	226-00137012-000	<b>469.94</b>	226-00137012-001	<b>563.33</b>	28
		15	226-00137015-000	<b>588.12</b>	226-00137015-001	<b>690.88</b>	34
		20	226-00137020-000	<b>773.33</b>	226-00137020-001	<b>903.47</b>	45
		25	226-00137025-000	<b>918.39</b>	226-00137025-001	<b>1116.07</b>	56
		30	226-00137030-000	<b>1176.15</b>	226-00137030-001	<b>1312.72</b>	67
12-14	14.00 - 14.40	7.5	226-00140007-000	<b>300.79</b>	226-00140007-001	<b>356.10</b>	19
		10	226-00140010-000	<b>392.05</b>	226-00140010-001	<b>465.01</b>	23
		12.5	226-00140012-000	<b>477.96</b>	226-00140012-001	<b>568.66</b>	29
		15	226-00140015-000	<b>596.13</b>	226-00140015-001	<b>701.55</b>	35
		20	226-00140020-000	<b>784.11</b>	226-00140020-001	<b>916.76</b>	46
		25	226-00140025-000	<b>939.83</b>	226-00140025-001	<b>1129.34</b>	58
		30	226-00140030-000	<b>1194.97</b>	226-00140030-001	<b>1328.64</b>	69

For use with HDPE, always use spring washers. See below for details.

List Price Adder For 304 Stainless Steel Spring Washers When Clamp Used on HDPE Pipe					
Clamp Width	Number of Bolts	List Price Each	Number of Washers	Total	Note:
7 1/2	3	8.22	6	<b>\$49.33</b>	<b>*For use with Smith-Blair approved clamps only.</b>
10	4	8.22	8	<b>65.77</b>	
12 1/2	5	8.22	10	<b>82.22</b>	
15	6	8.22	12	<b>98.66</b>	
20	8	8.22	16	<b>131.54</b>	
25	10	8.22	20	<b>164.43</b>	
30	12	8.22	24	<b>197.32</b>	
<b>Part Number 000-00150115-002</b>					

### Electrical Connectivity Strips

Clamp Width Inches	List Add On
7.5	<b>\$48.10</b>
10	
15	
20	<b>58.54</b>
25	
30	

Copper electrical strips are available for most 200 series Full Circle Clamps. Factory installed conductor strips are glued between gasket and the stainless steel band with contact buttons protruding through specially prepared gaskets to accommodate electrical thawing of frozen pipelines. When ordering, change the first digit of the last three digits to a 7.

**Example:**

**XXX-XXXXXX-700** —Conductor strips with low alloy  
**XXX-XXXXXX-701**—Conductor strips with stainless steel



## 227 Full Circle Repair Clamps Double Band

Nominal Size Inches	O.D. Range Inches	Width Inches	With Low Alloy Bolts & Nuts		With 304 Stainless Steel Bolts & Nuts		Approx. Weight lbs.
			Catalog Number	List Price	Catalog Number	List Price	
3	3.49 - 4.29	7.5	227-00035007-000	<b>\$186.49</b>	227-00035007-001	<b>\$263.11</b>	19
		10	227-00035010-000	<b>227.42</b>	227-00035010-001	<b>347.55</b>	24
		12.5	227-00035012-000	<b>296.84</b>	227-00035012-001	<b>395.38</b>	30
		15	227-00035015-000	<b>366.27</b>	227-00035015-001	<b>517.37</b>	36
		20	227-00035020-000	<b>590.75</b>	227-00035020-001	<b>771.68</b>	49
		30	227-00035030-000	<b>729.65</b>	227-00035030-001	<b>1020.11</b>	72
4	4.44 - 5.24	7.5	227-00045007-000	<b>201.26</b>	227-00045007-001	<b>292.97</b>	20
		10	227-00045010-000	<b>267.86</b>	227-00045010-001	<b>394.35</b>	26
		12.5	227-00045012-000	<b>318.26</b>	227-00045012-001	<b>445.08</b>	32
		15	227-00045015-000	<b>398.50</b>	227-00045015-001	<b>585.89</b>	37
		20	227-00045020-000	<b>597.75</b>	227-00045020-001	<b>881.62</b>	51
		30	227-00045030-000	<b>797.02</b>	227-00045030-001	<b>1166.05</b>	74
4	4.74 - 5.57	7.5	227-00048007-000	<b>206.06</b>	227-00048007-001	<b>295.79</b>	20
		10	227-00048010-000	<b>272.45</b>	227-00048010-001	<b>397.14</b>	26
		12.5	227-00048012-000	<b>321.66</b>	227-00048012-001	<b>478.84</b>	32
		15	227-00048015-000	<b>409.92</b>	227-00048015-001	<b>605.61</b>	39
		20	227-00048020-000	<b>612.00</b>	227-00048020-001	<b>890.06</b>	50
		30	227-00048030-000	<b>819.77</b>	227-00048030-001	<b>1177.37</b>	75
6	6.62 - 7.42	7.5	227-00066307-000	<b>234.23</b>	227-00066307-001	<b>326.75</b>	21
		10	227-00066310-000	<b>301.73</b>	227-00066310-001	<b>428.17</b>	27
		12.5	227-00066312-000	<b>350.10</b>	227-00066312-001	<b>515.46</b>	34
		15	227-00066315-000	<b>463.98</b>	227-00066315-001	<b>630.95</b>	40
		20	227-00066320-000	<b>626.24</b>	227-00066320-001	<b>901.33</b>	54
		30	227-00066330-000	<b>927.93</b>	227-00066330-001	<b>1267.53</b>	78
6	6.84 - 7.64	7.5	227-00069007-000	<b>239.07</b>	227-00069007-001	<b>329.56</b>	20
		10	227-00069010-000	<b>307.49</b>	227-00069010-001	<b>433.78</b>	27
		12.5	227-00069012-000	<b>358.67</b>	227-00069012-001	<b>521.08</b>	34
		15	227-00069015-000	<b>464.63</b>	227-00069015-001	<b>670.37</b>	40
		20	227-00069020-000	<b>637.62</b>	227-00069020-001	<b>912.61</b>	54
		30	227-00069030-000	<b>956.45</b>	227-00069030-001	<b>1295.66</b>	79
8	8.62 - 9.42	7.5	227-00086307-000	<b>264.75</b>	227-00086307-001	<b>357.77</b>	22
		10	227-00086310-000	<b>333.01</b>	227-00086310-001	<b>464.75</b>	30
		12.5	227-00086312-000	<b>392.81</b>	227-00086312-001	<b>554.91</b>	36
		15	227-00086315-000	<b>523.72</b>	227-00086315-001	<b>721.08</b>	43
		20	227-00086320-000	<b>697.39</b>	227-00086320-001	<b>929.52</b>	57
		30	227-00086330-000	<b>1053.22</b>	227-00086330-001	<b>1323.85</b>	85



## 227 Full Circle Repair Clamps Double Band

Nominal Size Inches	O.D. Range Inches	Width Inches	With Low Alloy Bolts & Nuts		With 304 Stainless Steel Bolts		Approx. Weight lbs.
			Catalog Number	List Price	Catalog Number	List Price	
8	8.99 - 9.79	7.5	227-00090507-000	<b>\$270.40</b>	227-00090507-001	<b>\$368.97</b>	22
		10	227-00090510-000	<b>341.57</b>	227-00090510-001	<b>473.21</b>	30
		12.5	227-00090512-000	<b>398.50</b>	227-00090512-001	<b>563.35</b>	37
		15	227-00090515-000	<b>528.32</b>	227-00090515-001	<b>737.95</b>	43
		20	227-00090520-000	<b>705.90</b>	227-00090520-001	<b>932.31</b>	59
10	10.75 - 11.55	30	227-00090530-000	<b>1059.35</b>	227-00090530-001	<b>1385.82</b>	86
		10	227-00107510-000	<b>446.90</b>	227-00107510-001	<b>650.64</b>	32
		15	227-00107515-000	<b>668.94</b>	227-00107515-001	<b>952.02</b>	48
		20	227-00107520-000	<b>893.80</b>	227-00107520-001	<b>1247.80</b>	64
10	11.10 - 11.90	30	227-00107530-000	<b>1337.84</b>	227-00107530-001	<b>1859.06</b>	95
		10	227-00111010-000	<b>454.38</b>	227-00111010-001	<b>661.91</b>	34
		15	227-00111015-000	<b>686.00</b>	227-00111015-001	<b>960.49</b>	48
		20	227-00111020-000	<b>910.82</b>	227-00111020-001	<b>1264.76</b>	65
10	11.60 - 12.40	30	227-00111030-000	<b>1366.33</b>	227-00111030-001	<b>1901.27</b>	98
		10	227-00116010-000	<b>478.20</b>	227-00116010-001	<b>692.91</b>	34
		15	227-00116015-000	<b>711.64</b>	227-00116015-001	<b>985.85</b>	49
		20	227-00116020-000	<b>939.33</b>	227-00116020-001	<b>1318.18</b>	66
12	12.75 - 13.55	30	227-00116030-000	<b>1423.22</b>	227-00116030-001	<b>1954.80</b>	99
		10	227-00127510-000	<b>501.00</b>	227-00127510-001	<b>704.19</b>	33
		15	227-00127515-000	<b>749.48</b>	227-00127515-001	<b>999.89</b>	51
		20	227-00127520-000	<b>1001.96</b>	227-00127520-001	<b>1329.48</b>	65
12	13.20 - 14.00	30	227-00127530-000	<b>1494.35</b>	227-00127530-001	<b>1974.47</b>	99
		10	227-00132010-000	<b>506.65</b>	227-00132010-001	<b>712.06</b>	35
		15	227-00132015-000	<b>751.46</b>	227-00132015-001	<b>1011.18</b>	50
		20	227-00132020-000	<b>1004.76</b>	227-00132020-001	<b>1340.70</b>	67
12	13.65 - 14.45	30	227-00132030-000	<b>1502.92</b>	227-00132030-001	<b>1999.87</b>	100
		10	227-00136510-000	<b>512.37</b>	227-00136510-001	<b>729.51</b>	35
		15	227-00136515-000	<b>762.85</b>	227-00136515-001	<b>1036.53</b>	52
		20	227-00136520-000	<b>1013.29</b>	227-00136520-001	<b>1366.11</b>	68
		30	227-00136530-000	<b>1522.87</b>	227-00136530-001	<b>2027.98</b>	102

For use on HDPE spring washers are required



## 228 Full Circle Repair Clamps Multi-Band For Large Diameter Pipe

O.D. Range Inches	Width Inches	With Low Alloy Bolts & Nuts		With 304 Stainless Steel Bolts & Nuts		Approx. Weight lbs.
		Catalog Number	List Price	Catalog Number	List Price	
14.38 - 15.13	10	228-20143810-000	<b>\$1,494.35</b>	228-20143810-001	<b>\$1,058.31</b>	36
	15	228-20143815-000	<b>506.65</b>	228-20143815-001	<b>1536.89</b>	53
	20	228-20143820-000	<b>751.46</b>	228-20143820-001	<b>2068.71</b>	71
	30	228-20143830-000	<b>1004.76</b>	228-20143830-001	<b>3124.35</b>	106
15.07 - 15.82	10	228-20150710-000	<b>1502.92</b>	228-20150710-001	<b>1092.87</b>	38
	15	228-20150715-000	<b>512.37</b>	228-20150715-001	<b>1592.73</b>	55
	20	228-20150720-000	<b>762.85</b>	228-20150720-001	<b>2141.85</b>	71
	30	228-20150730-000	<b>1013.29</b>	228-20150730-001	<b>3236.00</b>	107
15.92 - 16.67	10	228-20159210-000	<b>1522.87</b>	228-20159210-001	<b>1114.12</b>	39
	15	228-20159215-000	<b>368.97</b>	228-20159215-001	<b>1619.34</b>	56
	20	228-20159220-000	<b>473.21</b>	228-20159220-001	<b>2177.73</b>	74
	30	228-20159230-000	<b>563.35</b>	228-20159230-001	<b>3291.81</b>	149
16.56 - 17.31	10	228-20165610-000	<b>737.95</b>	228-20165610-001	<b>1127.42</b>	40
	15	228-20165615-000	<b>932.31</b>	228-20165615-001	<b>1640.60</b>	57
	20	228-20165620-000	<b>1385.82</b>	228-20165620-001	<b>2209.62</b>	77
	30	228-20165630-000	<b>650.64</b>	228-20165630-001	<b>3337.08</b>	118
17.15 - 17.90	10	228-20171510-000	<b>952.02</b>	228-20171510-001	<b>1143.38</b>	40
	15	228-20171515-000	<b>1247.80</b>	228-20171515-001	<b>1661.89</b>	58
	20	228-20171520-000	<b>1859.06</b>	228-20171520-001	<b>2238.92</b>	74
	30	228-20171530-000	<b>661.91</b>	228-20171530-001	<b>3379.56</b>	152
17.82 - 18.57	10	228-20178210-000	<b>960.49</b>	228-20178210-001	<b>1159.37</b>	40
	15	228-20178215-000	<b>1264.76</b>	228-20178215-001	<b>1680.56</b>	58
	20	228-20178220-000	<b>1901.27</b>	228-20178220-001	<b>2265.46</b>	78
	30	228-20178230-000	<b>692.91</b>	228-20178230-001	<b>3424.80</b>	120
18.46 - 19.21	10	228-20184610-000	<b>985.85</b>	228-20184610-001	<b>1175.31</b>	42
	15	228-20184615-000	<b>1318.18</b>	228-20184615-001	<b>1709.74</b>	60
	20	228-20184620-000	<b>1954.80</b>	228-20184620-001	<b>2300.03</b>	78
	30	228-20184630-000	<b>704.19</b>	228-20184630-001	<b>3475.33</b>	120
19.23 - 19.98	10	228-20192310-000	<b>999.89</b>	228-20192310-001	<b>1191.21</b>	47
	15	228-20192315-000	<b>1329.48</b>	228-20192315-001	<b>1731.01</b>	60
	20	228-20192320-000	<b>1974.47</b>	228-20192320-001	<b>2331.91</b>	80
	30	228-20192330-000	<b>712.06</b>	228-20192330-001	<b>3518.30</b>	121
19.90 - 20.65	10	228-20199010-000	<b>1011.18</b>	228-20199010-001	<b>1209.86</b>	43
	15	228-20199015-000	<b>1340.70</b>	228-20199015-001	<b>1754.92</b>	61
	20	228-20199020-000	<b>1999.87</b>	228-20199020-001	<b>2361.21</b>	81
	30	228-20199030-000	<b>729.51</b>	228-20199030-001	<b>3567.97</b>	122
20.70 - 21.45	10	228-20207010-000	<b>1036.53</b>	228-20207010-001	<b>1225.77</b>	44
	15	228-20207015-000	<b>1366.11</b>	228-20207015-001	<b>1781.58</b>	63
	20	228-20207020-000	<b>2027.98</b>	228-20207020-001	<b>2403.71</b>	84
	30	228-20207030-000	<b>740.92</b>	228-20207030-001	<b>3629.51</b>	127



## 228 Full Circle Repair Clamps Multi-Band For Large Diameter Pipe

O.D. Range Inches	Width Inches	With Low Alloy Bolts & Nuts		With 304 Stainless Steel Bolts & Nuts		Approx Weight lbs.
		Catalog Number	List Price	Catalog Number	List Price	
21.52 - 22.27	10	228-20215210-000	<b>\$915.68</b>	228-20215210-001	<b>\$1,247.11</b>	46
	15	228-20215215-000	<b>1320.06</b>	228-20215215-001	<b>1810.79</b>	65
	20	228-20215220-000	<b>1789.64</b>	228-20215220-001	<b>2438.28</b>	87
	30	228-20215230-000	<b>2707.98</b>	228-20215230-001	<b>3682.71</b>	131
22.12 - 22.87	10	228-20221210-000	<b>933.93</b>	228-20221210-001	<b>1263.03</b>	47
	15	228-20221215-000	<b>1343.58</b>	228-20221215-001	<b>1832.07</b>	67
	20	228-20221220-000	<b>1818.33</b>	228-20221220-001	<b>2467.54</b>	89
	30	228-20221230-000	<b>2752.34</b>	228-20221230-001	<b>3727.92</b>	135
22.90 - 23.65	10	228-20229010-000	<b>949.62</b>	228-20229010-001	<b>1278.95</b>	48
	15	228-20229015-000	<b>1325.29</b>	228-20229015-001	<b>1832.07</b>	70
	20	228-20229020-000	<b>1852.29</b>	228-20229020-001	<b>2504.73</b>	92
	30	228-20229030-000	<b>2801.82</b>	228-20229030-001	<b>3781.09</b>	139
23.28 - 24.38	10	228-30232810-000	<b>1540.31</b>	228-30232810-001	<b>2065.95</b>	73
	15	228-30232815-000	<b>2217.86</b>	228-30232815-001	<b>2998.93</b>	105
	20	228-30232820-000	<b>2879.44</b>	228-30232820-001	<b>4055.87</b>	128
	30	228-30232830-000	<b>4549.05</b>	228-30232830-001	<b>6620.76</b>	181
24.38 - 25.48	10	228-30243810-000	<b>1554.13</b>	228-30243810-001	<b>2079.92</b>	75
	15	228-30243815-000	<b>2237.18</b>	228-30243815-001	<b>3015.81</b>	108
	20	228-30243820-000	<b>3030.84</b>	228-30243820-001	<b>4081.25</b>	130
	30	228-30243830-000	<b>4584.93</b>	228-30243830-001	<b>6651.73</b>	185
25.70 - 26.80	10	228-30257010-000	<b>1567.94</b>	228-30257010-001	<b>2094.14</b>	78
	15	228-30257015-000	<b>2256.54</b>	228-30257015-001	<b>3044.04</b>	109
	20	228-30257020-000	<b>3061.23</b>	228-30257020-001	<b>4112.23</b>	132
	30	228-30257030-000	<b>4632.00</b>	228-30257030-001	<b>6702.47</b>	188
26.48 - 27.58	10	228-30264810-000	<b>1576.29</b>	228-30264810-001	<b>2105.47</b>	78
	15	228-30264815-000	<b>2273.15</b>	228-30264815-001	<b>3052.47</b>	112
	20	228-30264820-000	<b>3077.85</b>	228-30264820-001	<b>4131.99</b>	135
	30	228-30264830-000	<b>4656.87</b>	228-30264830-001	<b>6730.62</b>	188
27.65 - 28.75	10	228-30276510-000	<b>1667.56</b>	228-30276510-001	<b>2204.07</b>	82
	15	228-30276515-000	<b>2405.85</b>	228-30276515-001	<b>3193.40</b>	116
	20	228-30276520-000	<b>3254.80</b>	228-30276520-001	<b>4318.00</b>	140
	30	228-30276530-000	<b>4925.10</b>	228-30276530-001	<b>7018.14</b>	197
28.73 - 29.83	10	228-30287310-000	<b>1681.31</b>	228-30287310-001	<b>2215.33</b>	83
	15	228-30287315-000	<b>2419.69</b>	228-30287315-001	<b>3233.22</b>	118
	20	228-30287320-000	<b>3274.16</b>	228-30287320-001	<b>4346.19</b>	145
	30	228-30287330-000	<b>4958.25</b>	228-30287330-001	<b>7051.99</b>	201
29.62 - 30.72	10	228-30296210-000	<b>1686.85</b>	228-30296210-001	<b>2229.52</b>	85
	15	228-30296215-000	<b>2433.53</b>	228-30296215-001	<b>3227.23</b>	121
	20	228-30296220-000	<b>3296.31</b>	228-30296220-001	<b>4368.75</b>	147
	30	228-30296230-000	<b>4985.97</b>	228-30296230-001	<b>7085.80</b>	205



## 229 Full Circle Collar Leak Clamps Single Band, For PVC Class 160 Solvent Weld Bells

Nominal Size Inches	O.D. Inches	Width Inches	Catalog Number	List Price	Approx. Weight lbs.
2	2.38	7.5	229-00023807-000	<b>\$124.18</b>	10
2	2.38	12.5	229-00023812-000	<b>206.99</b>	16
2 1/2	2.88	7.5	229-00028807-000	<b>128.89</b>	10
2 1/2	2.88	12.5	229-00028812-000	<b>214.79</b>	15
3	3.50	7.5	229-00035007-000	<b>142.15</b>	10
3	3.50	12.5	229-00035012-000	<b>236.90</b>	17
3 1/2	4.00	7.5	229-00040007-000	<b>151.33</b>	10
3 1/2	4.00	12.5	229-00040012-000	<b>252.20</b>	16
4	4.50	7.5	229-00045007-000	<b>160.17</b>	11
4	4.50	12.5	229-00045012-000	<b>266.92</b>	18
5	5.56	7.5	229-00055607-000	<b>172.63</b>	12
5	5.56	12.5	229-00055612-000	<b>287.71</b>	18
6	6.63	7.5	229-00066307-000	<b>197.48</b>	13
6	6.63	12.5	229-00066312-000	<b>329.13</b>	21
8	8.63	7.5	229-00086307-000	<b>220.42</b>	14
8	8.63	12.5	229-00086312-000	<b>367.33</b>	24
10	10.75	7.5	229-00107507-000	<b>222.66</b>	15
10	10.75	12.5	229-00107512-000	<b>371.09</b>	26
12	12.75	7.5	229-00127507-000	<b>296.05</b>	16
12	12.75	12.5	229-00127512-000	<b>493.41</b>	30



## 238 Full Circle Repair Clamps Tapped, Single Band, Alloy Bolts & Nuts

Nominal Size Inches	O.D. Range Inches	Width Inches	Catalog Number		List Price	Catalog Number		List Price	Approx. Wgt. lbs.
			1 1/4" NPT	1 1/2" NPT		2" NPT	2" CC		
4	4.45 - 4.73	7.5	238-00045007-010	238-00045007-012	<b>\$235.45</b>	238-00045007-014	238-00045007-015	<b>\$257.68</b>	10
		10	238-00045010-010	238-00045010-012	<b>291.27</b>	238-00045010-014	238-00045010-015	<b>314.39</b>	13
		12.5	238-00045012-010	238-00045012-012	<b>333.13</b>	238-00045012-014	238-00045012-015	<b>355.36</b>	13
		15	238-00045015-010	238-00045015-012	<b>372.90</b>	238-00045015-014	238-00045015-015	<b>395.12</b>	22
4	4.74 - 5.14	7.5	238-00048007-010	238-00048007-012	<b>240.44</b>	238-00048007-014	238-00048007-015	<b>262.66</b>	11
		10	238-00048010-010	238-00048010-012	<b>291.27</b>	238-00048010-014	238-00048010-015	<b>313.50</b>	15
		12.5	238-00048012-010	238-00048012-012	<b>334.26</b>	238-00048012-014	238-00048012-015	<b>356.49</b>	18
		15	238-00048015-010	238-00048015-012	<b>383.91</b>	238-00048015-014	238-00048015-015	<b>406.14</b>	22
6	6.56 - 6.96	7.5	238-00066307-010	238-00066307-012	<b>263.18</b>	238-00066307-014	238-00066307-015	<b>285.40</b>	12
		10	238-00066310-010	238-00066310-012	<b>327.24</b>	238-00066310-014	238-00066310-015	<b>349.46</b>	16
		12.5	238-00066312-010	238-00066312-012	<b>366.83</b>	238-00066312-014	238-00066312-015	<b>389.04</b>	19
		15	238-00066315-010	238-00066315-012	<b>401.06</b>	238-00066315-014	238-00066315-015	<b>423.29</b>	23
6	6.84 - 7.24	7.5	238-00069007-010	238-00069007-012	<b>266.89</b>	238-00069007-014	238-00069007-015	<b>289.12</b>	12
		10	238-00069010-010	238-00069010-012	<b>328.68</b>	238-00069010-014	238-00069010-015	<b>350.89</b>	16
		12.5	238-00069012-010	238-00069012-012	<b>370.82</b>	238-00069012-014	238-00069012-015	<b>393.03</b>	20
		15	238-00069015-010	238-00069015-012	<b>415.74</b>	238-00069015-014	238-00069015-015	<b>437.97</b>	23
8	8.54 - 8.94	7.5	238-00086307-010	238-00086307-012	<b>294.53</b>	238-00086307-014	238-00086307-015	<b>316.75</b>	13
		10	238-00086310-010	238-00086310-012	<b>364.18</b>	238-00086310-014	238-00086310-015	<b>386.40</b>	17
		12.5	238-00086312-010	238-00086312-012	<b>416.43</b>	238-00086312-014	238-00086312-015	<b>437.99</b>	22
		15	238-00086315-010	238-00086315-012	<b>477.83</b>	238-00086315-014	238-00086315-015	<b>500.05</b>	25
8	8.99 - 9.39	7.5	238-00090507-010	238-00090507-012	<b>300.94</b>	238-00090507-014	238-00090507-015	<b>323.16</b>	13
		10	238-00090510-010	238-00090510-012	<b>367.95</b>	238-00090510-014	238-00090510-015	<b>390.16</b>	15
		12.5	238-00090512-010	238-00090512-012	<b>425.62</b>	238-00090512-014	238-00090512-015	<b>447.84</b>	22
		15	238-00090515-010	238-00090515-012	<b>489.25</b>	238-00090515-014	238-00090515-015	<b>511.47</b>	26
10	10.64 - 11.04	7.5	238-00107507-010	238-00107507-012	<b>340.65</b>	238-00107507-014	238-00107507-015	<b>362.88</b>	13
		10	238-00107510-010	238-00107510-012	<b>423.86</b>	238-00107510-014	238-00107510-015	<b>446.08</b>	19
		12.5	238-00107512-010	238-00107512-012	<b>477.60</b>	238-00107512-014	238-00107512-015	<b>499.83</b>	23
		15	238-00107515-010	238-00107515-012	<b>587.63</b>	238-00107515-014	238-00107515-015	<b>607.17</b>	25
10	11.04 - 11.44	7.5	238-00111007-010	238-00111007-012	<b>345.95</b>	238-00111007-014	238-00111007-015	<b>368.17</b>	14
		10	238-00111010-010	238-00111010-012	<b>434.56</b>	238-00111010-014	238-00111010-015	<b>456.79</b>	19
		12.5	238-00111012-010	238-00111012-012	<b>485.59</b>	238-00111012-014	238-00111012-015	<b>507.82</b>	24
		15	238-00111015-010	238-00111015-012	<b>587.63</b>	238-00111015-014	238-00111015-015	<b>609.86</b>	33
12	12.62 - 13.02	7.5	238-00127507-010	238-00127507-012	<b>370.16</b>	238-00127507-014	238-00127507-015	<b>392.39</b>	16
		10	238-00127510-010	238-00127510-012	<b>456.08</b>	238-00127510-014	238-00127510-015	<b>478.31</b>	21
		12.5	238-00127512-010	238-00127512-012	<b>545.43</b>	238-00127512-014	238-00127512-015	<b>567.64</b>	25
		15	238-00127515-010	238-00127515-012	<b>646.75</b>	238-00127515-014	238-00127515-015	<b>668.98</b>	35
12	13.10 - 13.50	7.5	238-00132007-010	238-00132007-012	<b>378.22</b>	238-00132007-014	238-00132007-015	<b>400.45</b>	17
		10	238-00132010-010	238-00132010-012	<b>472.16</b>	238-00132010-014	238-00132010-015	<b>494.39</b>	25
		12.5	238-00132012-010	238-00132012-012	<b>551.71</b>	238-00132012-014	238-00132012-015	<b>573.93</b>	26
		15	238-00132015-010	238-00132015-012	<b>662.85</b>	238-00132015-014	238-00132015-015	<b>685.08</b>	37

Additional widths and tap sizes available upon request. For use on HDPE, spring washers are required.



## 238 Full Circle Repair Clamps Single Band, Tapped, Alloy Bolts & Nuts

Nominal Size Inches	O.D. Range Inches	Width Inches	Catalog Number				List Price	Aprox. Wgt. lbs.
			3/4" NPT	3/4" CC	1" NPT	1" CC		
3	3.46 - 3.70	7.5	238-00035007-006	238-00035007-007	238-00035007-008	238-00035007-009	<b>\$199.35</b>	8
		10	238-00035010-006	238-00035010-007	238-00035010-008	238-00035010-009	<b>252.99</b>	13
		12.5	238-00035012-006	238-00035012-007	238-00035012-008	238-00035012-009	<b>284.52</b>	16
		15	238-00035015-006	238-00035015-007	238-00035015-008	238-00035015-009	<b>324.64</b>	18
3	3.73 - 4.00	7.5	238-00037507-006	238-00037507-007	238-00037507-008	238-00037507-009	<b>202.50</b>	9
		10	238-00037510-006	238-00037510-007	238-00037510-008	238-00037510-009	<b>259.38</b>	13
		12.5	238-00037512-006	238-00037512-007	238-00037512-008	238-00037512-009	<b>290.76</b>	16
		15	238-00037515-006	238-00037515-007	238-00037515-008	238-00037515-009	<b>332.96</b>	18
3	3.96 - 4.25	7.5	238-00040007-006	238-00040007-007	238-00040007-008	238-00040007-009	<b>207.25</b>	9
		10	238-00040010-006	238-00040010-007	238-00040010-008	238-00040010-009	<b>265.64</b>	13
		12.5	238-00040012-006	238-00040012-007	238-00040012-008	238-00040012-009	<b>303.03</b>	16
		15	238-00040015-006	238-00040015-007	238-00040015-008	238-00040015-009	<b>341.12</b>	18
4	4.45 - 4.73	7.5	238-00045007-006	238-00045007-007	238-00045007-008	238-00045007-009	<b>212.07</b>	10
		10	238-00045010-006	238-00045010-007	238-00045010-008	238-00045010-009	<b>268.78</b>	11
		12.5	238-00045012-006	238-00045012-007	238-00045012-008	238-00045012-009	<b>309.75</b>	13
		15	238-00045015-006	238-00045015-007	238-00045015-008	238-00045015-009	<b>349.50</b>	16
4	4.74 - 5.14	7.5	238-00048007-006	238-00048007-007	238-00048007-008	238-00048007-009	<b>217.05</b>	11
		10	238-00048010-006	238-00048010-007	238-00048010-008	238-00048010-009	<b>267.89</b>	13
		12.5	238-00048012-006	238-00048012-007	238-00048012-008	238-00048012-009	<b>310.86</b>	18
		15	238-00048015-006	238-00048015-007	238-00048015-008	238-00048015-009	<b>360.53</b>	21
6	6.56 - 6.96	7.5	238-00066307-006	238-00066307-007	238-00066307-008	238-00066307-009	<b>239.80</b>	12
		10	238-00066310-006	238-00066310-007	238-00066310-008	238-00066310-009	<b>303.85</b>	16
		12.5	238-00066312-006	238-00066312-007	238-00066312-008	238-00066312-009	<b>343.43</b>	19
		15	238-00066315-006	238-00066315-007	238-00066315-008	238-00066315-009	<b>377.67</b>	23
6	6.84 - 7.24	7.5	238-00069007-006	238-00069007-007	238-00069007-008	238-00069007-009	<b>243.50</b>	12
		10	238-00069010-006	238-00069010-007	238-00069010-008	238-00069010-009	<b>305.29</b>	16
		12.5	238-00069012-006	238-00069012-007	238-00069012-008	238-00069012-009	<b>347.42</b>	20
		15	238-00069015-006	238-00069015-007	238-00069015-008	238-00069015-009	<b>392.35</b>	23
8	8.54 - 8.94	7.5	238-00086307-006	238-00086307-007	238-00086307-008	238-00086307-009	<b>271.14</b>	13
		10	238-00086310-006	238-00086310-007	238-00086310-008	238-00086310-009	<b>340.80</b>	17
		12.5	238-00086312-006	238-00086312-007	238-00086312-008	238-00086312-009	<b>392.39</b>	22
		15	238-00086315-006	238-00086315-007	238-00086315-008	238-00086315-009	<b>454.44</b>	25
8	8.99 - 9.39	7.5	238-00090507-006	238-00090507-007	238-00090507-008	238-00090507-009	<b>277.55</b>	13
		10	238-00090510-006	238-00090510-007	238-00090510-008	238-00090510-009	<b>344.56</b>	17
		12.5	238-00090512-006	238-00090512-007	238-00090512-008	238-00090512-009	<b>402.22</b>	22
		15	238-00090515-006	238-00090515-007	238-00090515-008	238-00090515-009	<b>465.85</b>	26
10	10.64 - 11.04	7.5	238-00107507-006	238-00107507-007	238-00107507-008	238-00107507-009	<b>317.27</b>	14
		10	238-00107510-006	238-00107510-007	238-00107510-008	238-00107510-009	<b>400.47</b>	19
		12.5	238-00107512-006	238-00107512-007	238-00107512-008	238-00107512-009	<b>454.22</b>	23
		15	238-00107515-006	238-00107515-007	238-00107515-008	238-00107515-009	<b>561.56</b>	29
10	11.04 - 11.44	7.5	238-00111007-006	238-00111007-007	238-00111007-008	238-00111007-009	<b>322.56</b>	14
		10	238-00111010-006	238-00111010-007	238-00111010-008	238-00111010-009	<b>411.17</b>	19
		12.5	238-00111012-006	238-00111012-007	238-00111012-008	238-00111012-009	<b>462.20</b>	24
		15	238-00111015-006	238-00111015-007	238-00111015-008	238-00111015-009	<b>564.24</b>	33
12	12.62 - 13.02	7.5	238-00127507-006	238-00127507-007	238-00127507-008	238-00127507-009	<b>346.77</b>	16
		10	238-00127510-006	238-00127510-007	238-00127510-008	238-00127510-009	<b>432.68</b>	20
		12.5	238-00127512-006	238-00127512-007	238-00127512-008	238-00127512-009	<b>522.04</b>	25
		15	238-00127515-006	238-00127515-007	238-00127515-008	238-00127515-009	<b>623.36</b>	35
12	13.10 - 13.50	7.5	238-00132007-006	238-00132007-007	238-00132007-008	238-00132007-009	<b>354.84</b>	17
		10	238-00132010-006	238-00132010-007	238-00132010-008	238-00132010-009	<b>448.78</b>	25
		12.5	238-00132012-006	238-00132012-007	238-00132012-008	238-00132012-009	<b>528.32</b>	26
		15	238-00132015-006	238-00132015-007	238-00132015-008	238-00132015-009	<b>639.47</b>	37

Additional widths and tap sizes available upon request. For use on HDPE, spring washers are required.



## 238 Full Circle Repair Clamps Single Band, Tapped, 304 Stainless Steel Bolts & Nuts

Nominal Size Inches	O.D. Range Inches	Width Inches	Catalog Number				List Price	Apx. Wgt. Lbs.
			3/4" NPT	3/4" CC	1" NPT	1" CC		
3	3.46 - 3.70	7.5	238-035007-106	238-035007-107	238-035007-108	238-035007-109	<b>\$232.74</b>	8
		10	238-035010-106	238-035010-107	238-035010-108	238-035010-109	<b>288.87</b>	13
		12.5	238-035012-106	238-035012-107	238-035012-108	238-035012-109	<b>321.38</b>	16
		15	238-035015-106	238-035015-107	238-035015-108	238-035015-109	<b>360.31</b>	18
3	3.73 - 4.00	7.5	238-037507-106	238-037507-107	238-037507-108	238-037507-109	<b>235.73</b>	8
		10	238-037510-106	238-037510-107	238-037510-108	238-037510-109	<b>295.39</b>	13
		12.5	238-037512-106	238-037512-107	238-037512-108	238-037512-109	<b>331.57</b>	16
		15	238-037515-106	238-037515-107	238-037515-108	238-037515-109	<b>371.25</b>	18
3	3.96 - 4.25	7.5	238-040007-106	238-040007-107	238-040007-108	238-040007-109	<b>240.71</b>	9
		10	238-040010-106	238-040010-107	238-040010-108	238-040010-109	<b>301.94</b>	13
		12.5	238-040012-106	238-040012-107	238-040012-108	238-040012-109	<b>341.12</b>	16
		15	238-040015-106	238-040015-107	238-040015-108	238-040015-109	<b>379.44</b>	18
4	4.45 - 4.73	7.5	238-045007-106	238-045007-107	238-045007-108	238-045007-109	<b>245.91</b>	10
		10	238-045010-106	238-045010-107	238-045010-108	238-045010-109	<b>307.22</b>	13
		12.5	238-045012-106	238-045012-107	238-045012-108	238-045012-109	<b>348.29</b>	16
		15	238-045015-106	238-045015-107	238-045015-108	238-045015-109	<b>387.67</b>	19
4	4.74 - 5.14	7.5	238-048007-106	238-048007-107	238-048007-108	238-048007-109	<b>258.04</b>	11
		10	238-048010-106	238-048010-107	238-048010-108	238-048010-109	<b>328.76</b>	15
		12.5	238-048012-106	238-048012-107	238-048012-108	238-048012-109	<b>373.87</b>	18
		15	238-048015-106	238-048015-107	238-048015-108	238-048015-109	<b>444.78</b>	21
6	6.56 - 6.96	7.5	238-066307-106	238-066307-107	238-066307-108	238-066307-109	<b>284.27</b>	12
		10	238-066310-106	238-066310-107	238-066310-108	238-066310-109	<b>362.55</b>	16
		12.5	238-066312-106	238-066312-107	238-066312-108	238-066312-109	<b>417.72</b>	19
		15	238-066315-106	238-066315-107	238-066315-108	238-066315-109	<b>475.79</b>	23
6	6.84 - 7.24	7.5	238-069007-106	238-069007-107	238-069007-108	238-069007-109	<b>289.04</b>	12
		10	238-069010-106	238-069010-107	238-069010-108	238-069010-109	<b>367.88</b>	16
		12.5	238-069012-106	238-069012-107	238-069012-108	238-069012-109	<b>422.25</b>	19
		15	238-069015-106	238-069015-107	238-069015-108	238-069015-109	<b>480.74</b>	23
8	8.54 - 8.94	7.5	238-086307-106	238-086307-107	238-086307-108	238-086307-109	<b>319.82</b>	13
		10	238-086310-106	238-086310-107	238-086310-108	238-086310-109	<b>405.94</b>	17
		12.5	238-086312-106	238-086312-107	238-086312-108	238-086312-109	<b>471.92</b>	22
		15	238-086315-106	238-086315-107	238-086315-108	238-086315-109	<b>546.19</b>	25
8	8.99 - 9.39	7.5	238-090507-106	238-090507-107	238-090507-108	238-090507-109	<b>325.57</b>	13
		10	238-090510-106	238-090510-107	238-090510-108	238-090510-109	<b>408.81</b>	17
		12.5	238-090512-106	238-090512-107	238-090512-108	238-090512-109	<b>480.61</b>	22
		15	238-090515-106	238-090515-107	238-090515-108	238-090515-109	<b>563.09</b>	26
10	10.64 - 11.04	7.5	238-107507-106	238-107507-107	238-107507-108	238-107507-109	<b>351.86</b>	14
		10	238-107510-106	238-107510-107	238-107510-108	238-107510-109	<b>460.77</b>	19
		12.5	238-107512-106	238-107512-107	238-107512-108	238-107512-109	<b>532.52</b>	23
		15	238-107515-106	238-107515-107	238-107515-108	238-107515-109	<b>654.79</b>	29
10	11.04 - 11.44	7.5	238-111007-106	238-111007-107	238-111007-108	238-111007-109	<b>365.11</b>	15
		10	238-111010-106	238-111010-107	238-111010-108	238-111010-109	<b>466.10</b>	19
		12.5	238-111012-106	238-111012-107	238-111012-108	238-111012-109	<b>540.50</b>	24
		15	238-111015-106	238-111015-107	238-111015-108	238-111015-109	<b>665.33</b>	33
12	12.62 - 13.02	7.5	238-127507-106	238-127507-107	238-127507-108	238-127507-109	<b>397.04</b>	16
		10	238-127510-106	238-127510-107	238-127510-108	238-127510-109	<b>500.68</b>	25
		12.5	238-127512-106	238-127512-107	238-127512-108	238-127512-109	<b>593.63</b>	25
		15	238-127515-106	238-127515-107	238-127515-108	238-127515-109	<b>710.58</b>	30
12	13.10 - 13.50	7.5	238-132007-106	238-132007-107	238-132007-108	238-132007-109	<b>402.37</b>	17
		10	238-132010-106	238-132010-107	238-132010-108	238-132010-109	<b>513.93</b>	25
		12.5	238-132012-106	238-132012-107	238-132012-108	238-132012-109	<b>609.59</b>	30
		15	238-132015-106	238-132015-107	238-132015-108	238-132015-109	<b>731.82</b>	37

Additional widths and tap sizes available upon request. For use on HDPE, spring washers are required.



## 238 Full Circle Repair Clamps

### Single Band, Tapped, 304 Stainless Steel Bolts & Nuts

Nom. Size Inches	O.D. Range Inches	Width Inches	Catalog Number		List Price	Catalog Number		List Price	Apx. Wgt. Lbs.
			1 1/4" NPT	1 1/2" NPT		2" NPT	2" CC		
4	4.45 - 4.73	7.5	238-00045007-110	238-00045007-112	<b>\$269.29</b>	238-00045007-114	238-00045007-115	<b>325.25</b>	8
		10	238-00045010-110	238-00045010-112	<b>325.25</b>	238-00045010-114	238-00045010-115	<b>371.68</b>	11
		12.5	238-00045012-110	238-00045012-112	<b>371.68</b>	238-00045012-114	238-00045012-115	<b>411.06</b>	16
		15	238-00045015-110	238-00045015-112	<b>411.06</b>	238-00045015-114	238-00045015-115	<b>281.43</b>	21
4	4.74 - 5.14	7.5	238-00048007-110	238-00048007-112	<b>281.43</b>	238-00048007-114	238-00048007-115	<b>352.14</b>	11
		10	238-00048010-110	238-00048010-112	<b>352.14</b>	238-00048010-114	238-00048010-115	<b>397.27</b>	15
		12.5	238-00048012-110	238-00048012-112	<b>397.27</b>	238-00048012-114	238-00048012-115	<b>468.16</b>	18
		15	238-00048015-110	238-00048015-112	<b>468.16</b>	238-00048015-114	238-00048015-115	<b>307.65</b>	22
6	6.56 - 6.96	7.5	238-00066307-110	238-00066307-112	<b>307.65</b>	238-00066307-114	238-00066307-115	<b>385.94</b>	12
		10	238-00066310-110	238-00066310-112	<b>385.94</b>	238-00066310-114	238-00066310-115	<b>441.13</b>	16
		12.5	238-00066312-110	238-00066312-112	<b>441.13</b>	238-00066312-114	238-00066312-115	<b>499.17</b>	19
		15	238-00066315-110	238-00066315-112	<b>499.17</b>	238-00066315-114	238-00066315-115	<b>312.44</b>	23
6	6.84 - 7.24	7.5	238-00069007-110	238-00069007-112	<b>312.44</b>	238-00069007-114	238-00069007-115	<b>391.28</b>	12
		10	238-00069010-110	238-00069010-112	<b>391.28</b>	238-00069010-114	238-00069010-115	<b>445.64</b>	16
		12.5	238-00069012-110	238-00069012-112	<b>445.64</b>	238-00069012-114	238-00069012-115	<b>504.14</b>	19
		15	238-00069015-110	238-00069015-112	<b>504.14</b>	238-00069015-114	238-00069015-115	<b>343.21</b>	23
8	8.54 - 8.94	7.5	238-00086307-110	238-00086307-112	<b>343.21</b>	238-00086307-114	238-00086307-115	<b>429.33</b>	13
		10	238-00086310-110	238-00086310-112	<b>429.33</b>	238-00086310-114	238-00086310-115	<b>495.32</b>	17
		12.5	238-00086312-110	238-00086312-112	<b>495.32</b>	238-00086312-114	238-00086312-115	<b>569.58</b>	22
		15	238-00086315-110	238-00086315-112	<b>569.58</b>	238-00086315-114	238-00086315-115	<b>348.96</b>	25
8	8.99 - 9.39	7.5	238-00090507-110	238-00090507-112	<b>348.96</b>	238-00090507-114	238-00090507-115	<b>432.20</b>	13
		10	238-00090510-110	238-00090510-112	<b>432.20</b>	238-00090510-114	238-00090510-115	<b>503.99</b>	17
		12.5	238-00090512-110	238-00090512-112	<b>503.99</b>	238-00090512-114	238-00090512-115	<b>586.49</b>	22
		15	238-00090515-110	238-00090515-112	<b>586.49</b>	238-00090515-114	238-00090515-115	<b>375.25</b>	22
10	10.64 - 11.04	7.5	238-00107507-110	238-00107507-112	<b>375.25</b>	238-00107507-114	238-00107507-115	<b>484.17</b>	13
		10	238-00107510-110	238-00107510-112	<b>484.17</b>	238-00107510-114	238-00107510-115	<b>506.39</b>	19
		12.5	238-00107512-110	238-00107512-112	<b>484.17</b>	238-00107512-114	238-00107512-115	<b>678.18</b>	23
		15	238-00107515-110	238-00107515-112	<b>678.18</b>	238-00107515-114	238-00107515-115	<b>388.49</b>	27
10	11.04 - 11.44	7.5	238-00111007-110	238-00111007-112	<b>388.49</b>	238-00111007-114	238-00111007-115	<b>489.49</b>	15
		10	238-00111010-110	238-00111010-112	<b>489.49</b>	238-00111010-114	238-00111010-115	<b>563.88</b>	19
		12.5	238-00111012-110	238-00111012-112	<b>563.88</b>	238-00111012-114	238-00111012-115	<b>688.74</b>	24
		15	238-00111015-110	238-00111015-112	<b>688.74</b>	238-00111015-114	238-00111015-115	<b>420.43</b>	33
12	12.62 - 13.02	7.5	238-00127507-110	238-00127507-112	<b>420.43</b>	238-00127507-114	238-00127507-115	<b>524.07</b>	16
		10	238-00127510-110	238-00127510-112	<b>524.07</b>	238-00127510-114	238-00127510-115	<b>617.02</b>	20
		12.5	238-00127512-110	238-00127512-112	<b>617.02</b>	238-00127512-114	238-00127512-115	<b>733.96</b>	25
		15	238-00127515-110	238-00127515-112	<b>733.96</b>	238-00127515-114	238-00127515-115	<b>425.75</b>	35
12	13.10 - 13.50	7.5	238-00132007-110	238-00132007-112	<b>425.75</b>	238-00132007-114	238-00132007-115	<b>537.32</b>	17
		10	238-00132010-110	238-00132010-112	<b>537.32</b>	238-00132010-114	238-00132010-115	<b>632.97</b>	25
		12.5	238-00132012-110	238-00132012-112	<b>632.97</b>	238-00132012-114	238-00132012-115	<b>755.21</b>	30
		15	238-00132015-110	238-00132015-112	<b>755.21</b>	238-00132015-114	238-00132015-115	<b>291.52</b>	37

Additional widths and tap sizes available upon request. For use on HDPE, spring washers are required



## 239 Full Circle Repair Clamps Double Band, Tapped, Alloy Bolts & Nuts

Nominal Size Inches	O.D. Range Inches	Width Inches	Catalog Number				List Price	Apx. Wgt. Lbs.
			3/4" NPT	3/4"CC	1"NPT	1" CC		
4	4.44 - 5.24	7.5	239-00045007-006	239-00045007-007	239-00045007-008	239-00045007-009	<b>\$271.44</b>	19
		10	239-00045010-006	239-00045010-007	239-00045010-008	239-00045010-009	<b>338.03</b>	25
		12.5	239-00045012-006	239-00045012-007	239-00045012-008	239-00045012-009	<b>388.44</b>	31
		15	239-00045015-006	239-00045015-007	239-00045015-008	239-00045015-009	<b>468.68</b>	37
6	6.62 - 7.42	7.5	239-00066307-006	239-00066307-007	239-00066307-008	239-00066307-009	<b>304.42</b>	20
		10	239-00066310-006	239-00066310-007	239-00066310-008	239-00066310-009	<b>371.90</b>	27
		12.5	239-00066312-006	239-00066312-007	239-00066312-008	239-00066312-009	<b>420.27</b>	34
		15	239-00066315-006	239-00066315-007	239-00066315-008	239-00066315-009	<b>534.15</b>	39
6	6.84 - 7.64	7.5	239-00069007-006	239-00069007-007	239-00069007-008	239-00069007-009	<b>309.26</b>	21
		10	239-00069010-006	239-00069010-007	239-00069010-008	239-00069010-009	<b>377.65</b>	28
		12.5	239-00069012-006	239-00069012-007	239-00069012-008	239-00069012-009	<b>428.84</b>	34
		15	239-00069015-006	239-00069015-007	239-00069015-008	239-00069015-009	<b>534.80</b>	41
8	8.62 - 9.42	7.5	239-00086307-006	239-00086307-007	239-00086307-008	239-00086307-009	<b>334.91</b>	22
		10	239-00086310-006	239-00086310-007	239-00086310-008	239-00086310-009	<b>403.19</b>	30
		12.5	239-00086312-006	239-00086312-007	239-00086312-008	239-00086312-009	<b>462.99</b>	36
		15	239-00086315-006	239-00086315-007	239-00086315-008	239-00086315-009	<b>593.89</b>	43
8	8.99 - 9.79	7.5	239-00090507-006	239-00090507-007	239-00090507-008	239-00090507-009	<b>340.58</b>	22
		10	239-00090510-006	239-00090510-007	239-00090510-008	239-00090510-009	<b>411.73</b>	30
		12.5	239-00090512-006	239-00090512-007	239-00090512-008	239-00090512-009	<b>468.68</b>	37
		15	239-00090515-006	239-00090515-007	239-00090515-008	239-00090515-009	<b>598.49</b>	43
10	10.75 - 11.55	10	239-00107510-006	239-00107510-007	239-00107510-008	239-00107510-009	<b>517.07</b>	31
		12.5	239-00107512-006	239-00107512-007	239-00107512-008	239-00107512-009	<b>623.37</b>	40
		15	239-00107515-006	239-00107515-007	239-00107515-008	239-00107515-009	<b>739.11</b>	48
	11.10 - 11.90	10	239-00111010-006	239-00111010-007	239-00111010-008	239-00111010-009	<b>524.55</b>	34
		12.5	239-00111012-006	239-00111012-007	239-00111012-008	239-00111012-009	<b>704.80</b>	43
		15	239-00111015-006	239-00111015-007	239-00111015-008	239-00111015-009	<b>756.17</b>	48
12	12.75 - 13.55	10	239-00127510-006	239-00127510-007	239-00127510-008	239-00127510-009	<b>571.17</b>	34
		12.5	239-00127512-006	239-00127512-007	239-00127512-008	239-00127512-009	<b>695.40</b>	43
		15	239-00127515-006	239-00127515-007	239-00127515-008	239-00127515-009	<b>819.64</b>	50
12	13.20 - 14.00	10	239-00132010-006	239-00132010-007	239-00132010-008	239-00132010-009	<b>576.82</b>	35
		12.5	239-00132012-006	239-00132012-007	239-00132012-008	239-00132012-009	<b>699.27</b>	43
		15	239-00132015-006	239-00132015-007	239-00132015-008	239-00132015-009	<b>821.63</b>	50

Additional widths and tap sizes available upon request.  
For use on HDPE spring washers are required



## 239 Full Circle Repair Clamps Double Band, Tapped, Alloy Bolts & Nuts

Nominal Size Inches	O.D. Range Inches	Width Inches	Catalog Number		List Price	Catalog Number		List Price	Apx. Wgt. Lbs.
			1 1/4" NPT	1 1/2" NPT		2" NPT	2" CC		
4	4.44 - 5.24	7.5	239-00045007-010	239-00045007-012	<b>\$294.83</b>	239-00045007-014	239-00045007-015	<b>\$317.05</b>	19
		10	239-00045010-010	239-00045010-012	<b>361.42</b>	239-00045010-014	239-00045010-015	<b>383.64</b>	25
		12.5	239-00045012-010	239-00045012-012	<b>411.83</b>	239-00045012-014	239-00045012-015	<b>434.04</b>	31
		15	239-00045015-010	239-00045015-012	<b>492.07</b>	239-00045015-014	239-00045015-015	<b>514.28</b>	37
6	6.62 - 7.42	7.5	239-00066307-010	239-00066307-012	<b>327.81</b>	239-00066307-014	239-00066307-015	<b>350.02</b>	20
		10	239-00066310-010	239-00066310-012	<b>395.29</b>	239-00066310-014	239-00066310-015	<b>417.52</b>	28
		12.5	239-00066312-010	239-00066312-012	<b>443.67</b>	239-00066312-014	239-00066312-015	<b>465.89</b>	34
		15	239-00066315-010	239-00066315-012	<b>557.55</b>	239-00066315-014	239-00066315-015	<b>579.77</b>	39
6	6.84 - 7.64	7.5	239-00069007-010	239-00069007-012	<b>332.64</b>	239-00069007-014	239-00069007-015	<b>354.86</b>	20
		10	239-00069010-010	239-00069010-012	<b>401.05</b>	239-00069010-014	239-00069010-015	<b>423.28</b>	27
		12.5	239-00069012-010	239-00069012-012	<b>452.24</b>	239-00069012-014	239-00069012-015	<b>474.45</b>	34
		15	239-00069015-010	239-00069015-012	<b>558.18</b>	239-00069015-014	239-00069015-015	<b>580.41</b>	39
8	8.62 - 9.42	7.5	239-00086307-010	239-00086307-012	<b>354.80</b>	239-00086307-014	239-00086307-015	<b>380.51</b>	22
		10	239-00086310-010	239-00086310-012	<b>426.57</b>	239-00086310-014	239-00086310-015	<b>448.79</b>	30
		12.5	239-00086312-010	239-00086312-012	<b>486.38</b>	239-00086312-014	239-00086312-015	<b>508.60</b>	36
		15	239-00086315-010	239-00086315-012	<b>617.27</b>	239-00086315-014	239-00086315-015	<b>639.50</b>	43
8	8.99 - 9.79	7.5	239-00090507-010	239-00090507-012	<b>363.97</b>	239-00090507-014	239-00090507-015	<b>386.18</b>	22
		10	239-00090510-010	239-00090510-012	<b>435.12</b>	239-00090510-014	239-00090510-015	<b>457.34</b>	30
		12.5	239-00090512-010	239-00090512-012	<b>492.07</b>	239-00090512-014	239-00090512-015	<b>514.28</b>	37
		15	239-00090515-010	239-00090515-012	<b>621.87</b>	239-00090515-014	239-00090515-015	<b>644.10</b>	43
10	10.75 - 11.55	10	239-00107510-010	239-00107510-012	<b>540.46</b>	239-00107510-014	239-00107510-015	<b>562.68</b>	31
		12.5	239-00107512-010	239-00107512-012	<b>646.76</b>	239-00107512-014	239-00107512-015	<b>668.99</b>	40
		15	239-00107515-010	239-00107515-012	<b>762.50</b>	239-00107515-014	239-00107515-015	<b>784.73</b>	48
10	11.10 - 11.90	10	239-00111010-010	239-00111010-012	<b>547.94</b>	239-00111010-014	239-00111010-015	<b>570.16</b>	34
		12.5	239-00111012-010	239-00111012-012	<b>728.19</b>	239-00111012-014	239-00111012-015	<b>750.41</b>	43
		15	239-00111015-010	239-00111015-012	<b>779.56</b>	239-00111015-014	239-00111015-015	<b>801.78</b>	48
12	12.75 - 13.55	10	239-00127510-010	239-00127510-012	<b>594.55</b>	239-00127510-014	239-00127510-015	<b>616.78</b>	34
		12.5	239-00127512-010	239-00127512-012	<b>718.80</b>	239-00127512-014	239-00127512-015	<b>741.02</b>	43
		15	239-00127515-010	239-00127515-012	<b>843.03</b>	239-00127515-014	239-00127515-015	<b>865.26</b>	50
12	13.20 - 14.00	10	239-00132010-010	239-00132010-012	<b>600.21</b>	239-00132010-014	239-00132010-015	<b>622.43</b>	35
		12.5	239-00132012-010	239-00132012-012	<b>722.66</b>	239-00132012-014	239-00132012-015	<b>744.89</b>	43
		15	239-00132015-010	239-00132015-012	<b>845.02</b>	239-00132015-014	239-00132015-015	<b>867.24</b>	50

Additional widths and tap sizes available upon request. For use on HDPE spring washers are required



## 239 Full Circle Repair Clamps Double Band, Tapped, 304 Stainless Steel Bolts & Nuts

Nominal Size Inches	O.D. Range Inches	Width Inches	Catalog Number				List Price	Apx. Wgt. Lbs.
			3/4" NPT	3/4" CC	1" NPT	1" CC		
4	4.44 - 5.24	7.5	239-00045007-106	239-00045007-107	239-00045007-108	239-00045007-109	<b>\$363.14</b>	19
		10	239-00045010-106	239-00045010-107	239-00045010-108	239-00045010-109	<b>464.53</b>	25
		12.5	239-00045012-106	239-00045012-107	239-00045012-108	239-00045012-109	<b>515.25</b>	31
		15	239-00045015-106	239-00045015-107	239-00045015-108	239-00045007-109	<b>656.06</b>	37
6	6.62 - 7.42	7.5	239-00066307-106	239-00066307-107	239-00066307-108	239-00066307-109	<b>396.92</b>	20
		10	239-00066310-106	239-00066310-107	239-00066310-108	239-00066310-109	<b>498.33</b>	27
		12.5	239-00066312-106	239-00066312-107	239-00066312-108	239-00066312-109	<b>585.63</b>	34
		15	239-00066315-106	239-00066315-107	239-00066315-108	239-00066315-109	<b>701.13</b>	39
6	6.84 - 7.64	7.5	239-00069007-106	239-00069007-107	239-00069007-108	239-00069007-109	<b>399.72</b>	20
		10	239-00069010-106	239-00069010-107	239-00069010-108	239-00069010-109	<b>503.96</b>	27
		12.5	239-00069012-106	239-00069012-107	239-00069012-108	239-00069012-109	<b>591.26</b>	34
		15	239-00069015-106	239-00069015-107	239-00069015-108	239-00069015-109	<b>740.53</b>	39
8	8.62 - 9.42	7.5	239-00086307-106	239-00086307-107	239-00086307-108	239-00086307-109	<b>427.94</b>	22
		10	239-00086310-106	239-00086310-107	239-00086310-108	239-00086310-109	<b>534.92</b>	30
		12.5	239-00086312-106	239-00086312-107	239-00086312-108	239-00086312-109	<b>625.09</b>	36
		15	239-00086315-106	239-00086315-107	239-00086315-108	239-00086315-109	<b>791.24</b>	43
8	8.99 - 9.79	7.5	239-00090507-106	239-00090507-107	239-00090507-108	239-00090507-109	<b>439.15</b>	22
		10	239-00090510-106	239-00090510-107	239-00090510-108	239-00090510-109	<b>543.39</b>	30
		12.5	239-00090512-106	239-00090512-107	239-00090512-108	239-00090512-109	<b>633.52</b>	36
		15	239-00090515-106	239-00090515-107	239-00090515-108	239-00090515-109	<b>808.12</b>	43
10	10.75 - 11.55	10	239-00107510-106	239-00107510-107	239-00107510-108	239-00107510-109	<b>720.81</b>	31
		12.5	239-00107512-106	239-00107512-107	239-00107512-108	239-00107512-109	<b>792.88</b>	40
		15	239-00107515-106	239-00107515-107	239-00107515-108	239-00107515-109	<b>926.98</b>	48
10	11.10 - 11.90	10	239-00111010-106	239-00111010-107	239-00111010-108	239-00111010-109	<b>732.08</b>	34
		12.5	239-00111012-106	239-00111012-107	239-00111012-108	239-00111012-109	<b>834.34</b>	43
		15	239-00111015-106	239-00111015-107	239-00111015-108	239-00111015-109	<b>1030.66</b>	48
12	12.75 - 13.55	10	239-00127510-106	239-00127510-107	239-00127510-108	239-00127510-109	<b>774.35</b>	34
		12.5	239-00127512-106	239-00127512-107	239-00127512-108	239-00127512-109	<b>824.93</b>	43
		15	239-00127515-106	239-00127515-107	239-00127515-108	239-00127515-109	<b>1070.07</b>	50
12	13.20 - 14.00	10	239-00132010-106	239-00132010-107	239-00132010-108	239-00132010-109	<b>782.24</b>	35
		12.5	239-00132012-106	239-00132012-107	239-00132012-108	239-00132012-109	<b>828.80</b>	43
		15	239-00132015-106	239-00132015-107	239-00132015-108	239-00132015-109	<b>1081.34</b>	50

Additional widths and tap sizes available upon request. For use on HDPE spring washers are required.



## 239 Full Circle Repair Clamps Double Band, Tapped, 304 Stainless Steel Bolts & Nuts

Nominal Size Inches	OD Range Inches	Width Inches	Catalog Number		List Price	Catalog Number		List Price	Apx. Wgt. Lbs.
			1 1/4" NPT	1 1/2" NPT		2" NPT	2" CC		
4	4.44 - 5.24	7.5	239-00045007-110	239-00045007-112	<b>\$386.53</b>	239-00045007-114	239-00045007-115	<b>\$408.75</b>	19
		10	239-00045010-110	239-00045010-112	<b>487.91</b>	239-00045010-114	239-00045010-115	<b>510.14</b>	25
		12.5	239-00045012-110	239-00045012-112	<b>538.64</b>	239-00045012-114	239-00045012-115	<b>560.87</b>	31
		15	239-00045015-110	239-00045015-112	<b>679.44</b>	239-00045015-114	239-00045015-115	<b>701.67</b>	37
6	6.62 - 7.42	7.5	239-00066307-110	239-00066307-112	<b>420.30</b>	239-00066307-114	239-00066307-115	<b>442.53</b>	20
		10	239-00066310-110	239-00066310-112	<b>521.72</b>	239-00066310-114	239-00066310-115	<b>543.95</b>	27
		12.5	239-00066312-110	239-00066312-112	<b>609.02</b>	239-00066312-114	239-00066312-115	<b>631.24</b>	34
		15	239-00066315-110	239-00066315-112	<b>724.52</b>	239-00066315-114	239-00066315-115	<b>746.74</b>	39
6	6.84 - 7.64	7.5	239-00069007-110	239-00069007-112	<b>423.12</b>	239-00069007-114	239-00069007-115	<b>445.35</b>	20
		10	239-00069010-110	239-00069010-112	<b>527.35</b>	239-00069010-114	239-00069010-115	<b>549.56</b>	27
		12.5	239-00069012-110	239-00069012-112	<b>614.65</b>	239-00069012-114	239-00069012-115	<b>636.87</b>	34
		15	239-00069015-110	239-00069015-112	<b>763.94</b>	239-00069015-114	239-00069015-115	<b>786.16</b>	39
8	8.62 - 9.42	7.5	239-00086307-110	239-00086307-112	<b>451.32</b>	239-00086307-114	239-00086307-115	<b>473.55</b>	22
		10	239-00086310-110	239-00086310-112	<b>558.32</b>	239-00086310-114	239-00086310-115	<b>580.53</b>	30
		12.5	239-00086312-110	239-00086312-112	<b>648.47</b>	239-00086312-114	239-00086312-115	<b>670.70</b>	36
		15	239-00086315-110	239-00086315-112	<b>814.64</b>	239-00086315-114	239-00086315-115	<b>836.85</b>	43
8	8.99 - 9.79	7.5	239-00090507-110	239-00090507-112	<b>462.55</b>	239-00090507-114	239-00090507-115	<b>484.75</b>	22
		10	239-00090510-110	239-00090510-112	<b>566.77</b>	239-00090510-114	239-00090510-115	<b>589.00</b>	30
		12.5	239-00090512-110	239-00090512-112	<b>656.91</b>	239-00090512-114	239-00090512-115	<b>679.13</b>	36
		15	239-00090515-110	239-00090515-112	<b>831.52</b>	239-00090515-114	239-00090515-115	<b>853.73</b>	43
10	10.75 - 11.55	10	239-00107510-110	239-00107510-112	<b>744.20</b>	239-00107510-114	239-00107510-115	<b>766.43</b>	31
		12.5	239-00107512-110	239-00107512-112	<b>776.30</b>	239-00107512-114	239-00107512-115	<b>798.51</b>	36
		15	239-00107515-110	239-00107515-112	<b>1045.59</b>	239-00107515-114	239-00107515-115	<b>1067.81</b>	48
10	11.10 - 11.90	10	239-00111010-110	239-00111010-112	<b>755.48</b>	239-00111010-114	239-00111010-115	<b>777.69</b>	34
		12.5	239-00111012-110	239-00111012-112	<b>857.72</b>	239-00111012-114	239-00111012-115	<b>879.95</b>	43
		15	239-00111015-110	239-00111015-112	<b>1054.04</b>	239-00111015-114	239-00111015-115	<b>1193.42</b>	48
12	12.75 - 13.55	10	239-00127510-110	239-00127510-112	<b>797.75</b>	239-00127510-114	239-00127510-115	<b>819.98</b>	34
		12.5	239-00127512-110	239-00127512-112	<b>848.32</b>	239-00127512-114	239-00127512-115	<b>870.54</b>	43
		15	239-00127515-110	239-00127515-112	<b>1093.46</b>	239-00127515-114	239-00127515-115	<b>1095.38</b>	50
12	13.20 - 14.00	10	239-00132010-110	239-00132010-112	<b>805.62</b>	239-00132010-114	239-00132010-115	<b>827.84</b>	34
		12.5	239-00132012-110	239-00132012-112	<b>852.19</b>	239-00132012-114	239-00132012-115	<b>874.41</b>	43
		15	239-00132015-110	239-00132015-112	<b>1104.74</b>	239-00132015-114	239-00132015-115	<b>1115.68</b>	50

Additional widths and tap sizes available upon request.  
For use on HDPE spring washers are required



## 244 Full Circle Redi-Clamps 360° Seal

Nominal Size Inches	O.D. Range Inches	Width Inches	Ctn. Qty.	Elec. Galv. B/N		304 Stainless Steel B/N		Approx. Weight lbs.
				Catalog Number	List Price	Catalog Number	List Price	
1/2	0.63	3	16	244-00006303-000	<b>\$48.05</b>	244-00006303-001	<b>\$72.53</b>	1
		6	10	244-00006306-000	<b>103.01</b>	244-00006306-001	<b>126.91</b>	2
1/2	0.84	3	16	244-00008403-000	<b>48.38</b>	244-00008403-001	<b>72.79</b>	1
		6	10	244-00008406-000	<b>103.06</b>	244-00008406-001	<b>126.92</b>	2
		12	6	244-00008412-000*	<b>206.15</b>	244-00008412-001*	<b>253.85</b>	4
3/4	0.88	3	16	244-00008803-000	<b>48.56</b>	244-00008803-001	<b>73.43</b>	1
		6	10	244-00008806-000	<b>103.33</b>	244-00008806-001	<b>127.21</b>	2
3/4	1.05	3	12	244-00010503-000	<b>49.01</b>	244-00010503-001	<b>73.43</b>	1
		6	8	244-00010506-000	<b>103.61</b>	244-00010506-001	<b>132.26</b>	2
		12	9	244-00010512-000*	<b>207.25</b>	244-00010512-001*	<b>264.51</b>	4
1	1.13	3	12	244-00011303-000	<b>51.08</b>	244-00011303-001	<b>76.29</b>	1
		6	8	244-00011306-000	<b>103.87</b>	244-00011306-001	<b>132.67</b>	2
1	1.32	3	12	244-00013203-000	<b>51.85</b>	244-00013203-001	<b>77.22</b>	2
		6	8	244-00013206-000	<b>104.38</b>	244-00013206-001	<b>133.50</b>	2
		12	9	244-00013212-000*	<b>208.78</b>	244-00013212-001*	<b>266.98</b>	4
1 1/4	1.38	3	12	244-00013803-000	<b>52.20</b>	244-00013803-001	<b>77.64</b>	1
		6	6	244-00013806-000	<b>105.26</b>	244-00013806-001	<b>134.33</b>	2
1 1/4	1.66	3	12	244-00016603-000	<b>53.14</b>	244-00016603-001	<b>78.21</b>	1
		6	6	244-00016606-000	<b>105.66</b>	244-00016606-001	<b>134.79</b>	2
		12	6	244-00016612-000*	<b>212.00</b>	244-00016612-001*	<b>270.21</b>	4
1 1/2	1.63	3	12	244-00016303-000	<b>53.14</b>	244-00016303-001	<b>78.50</b>	1
		6	6	244-00016306-000	<b>106.00</b>	244-00016306-001	<b>135.10</b>	2
1 1/2	1.90	3	10	244-00019003-000	<b>54.60</b>	244-00019003-001	<b>80.10</b>	1
		6	6	244-00019006-000	<b>107.70</b>	244-00019006-001	<b>136.64</b>	2
		12	6	244-00019012-000*	<b>215.37</b>	244-00019012-001*	<b>273.28</b>	4
2	2.13	3	8	244-00021303-000	<b>58.40</b>	244-00021303-001	<b>83.16</b>	2
		6	4	244-00021306-000	<b>108.85</b>	244-00021306-001	<b>137.89</b>	3
2	2.38	3	8	244-00023803-000	<b>59.47</b>	244-00023803-001	<b>85.81</b>	2
		6	6	244-00023806-000	<b>110.49</b>	244-00023806-001	<b>139.88</b>	4
		12	4	244-00023812-000*	<b>220.98</b>	244-00023812-001*	<b>279.74</b>	7

\*Do not use to join pipe.



## 245 Redi-Clamps Partial Coverage

Nominal Size Inches	O.D. Range Inches	Width Inches	Ctn. Qty.	Elec. Galv. B/N		304 Stainless Steel B/N		Approx. Weight lbs.
				Catalog Number	List Price	Catalog Number	List Price	
1/2	0.84	3	24	245-00008403-000	<b>\$13.99</b>	245-00008403-001	<b>\$35.30</b>	1
1/2	0.84	6	12	245-00008406-000	<b>25.81</b>	245-00008406-001	<b>63.55</b>	2
3/4	1.05	3	16	245-00010503-000	<b>14.26</b>	245-00010503-001	<b>35.78</b>	2
3/4	1.05	6	10	245-00010506-000	<b>26.60</b>	245-00010506-001	<b>64.19</b>	2
1	1.32	3	16	245-00013203-000	<b>15.58</b>	245-00013203-001	<b>37.39</b>	1
1	1.32	6	10	245-00013206-000	<b>28.32</b>	245-00013206-001	<b>65.95</b>	2
1 1/4	1.66	3	12	245-00016603-000	<b>16.01</b>	245-00016603-001	<b>37.55</b>	1
1 1/4	1.66	6	6	245-00016606-000	<b>29.84</b>	245-00016606-001	<b>67.57</b>	2
1 1/2	1.90	3	12	245-00019003-000	<b>17.19</b>	245-00019003-001	<b>42.21</b>	1
1 1/2	1.90	6	8	245-00019006-000	<b>32.40</b>	245-00019006-001	<b>81.02</b>	2
2	2.00	3	8	245-00020003-000	<b>17.38</b>	245-00020003-001	<b>42.72</b>	2
2	2.00	6	4	245-00020006-000	<b>32.91</b>	245-00020006-001	<b>81.50</b>	3
2	2.38	3	8	245-00023803-000	<b>18.80</b>	245-00023803-001	<b>43.63</b>	2
2	2.38	6	4	245-00023806-000	<b>34.04</b>	245-00023806-001	<b>84.25</b>	3
2	2.38	9	4	245-00023809-000	<b>52.17</b>	245-00023809-001	<b>129.65</b>	3
2	2.38	12	4	245-00023812-000	<b>69.24</b>	245-00023812-001	<b>172.50</b>	5
2 1/2	2.88	3	8	245-00028803-000	<b>23.55</b>	245-00028803-001	<b>49.29</b>	2
2 1/2	2.88	6	3	245-00028806-000	<b>47.00</b>	245-00028806-001	<b>96.59</b>	3
2 1/2	2.88	9	4	245-00028809-000	<b>69.89</b>	245-00028809-001	<b>145.83</b>	4
2 1/2	2.88	12	4	245-00028812-000	<b>94.47</b>	245-00028812-001	<b>194.94</b>	5
3	3.00	3	6	245-00030003-000	<b>23.69</b>	245-00030003-001	<b>49.79</b>	2
3	3.00	6	3	245-00030006-000	<b>48.77</b>	245-00030006-001	<b>100.12</b>	3
3	3.00	9	4	245-00030009-000	<b>76.65</b>	245-00030009-001	<b>150.53</b>	4
3	3.00	12	4	245-00030012-000	<b>104.12</b>	245-00030012-001	<b>203.44</b>	5
3	3.50	3	6	245-00035003-000	<b>24.62</b>	245-00035003-001	<b>51.63</b>	2
3	3.50	6	4	245-00035006-000	<b>49.78</b>	245-00035006-001	<b>103.67</b>	3
3	3.50	9	4	245-00035009-000	<b>81.85</b>	245-00035009-001	<b>159.48</b>	4
3	3.50	12	4	245-00035012-000	<b>111.35</b>	245-00035012-001	<b>214.99</b>	6
3 1/2 - 4	4.00	3	4	245-00040003-000	<b>26.60</b>	245-00040003-001	<b>52.30</b>	2
3 1/2 - 4	4.00	6	4	245-00040006-000	<b>51.59</b>	245-00040006-001	<b>104.95</b>	3
3 1/2 - 4	4.00	9	4	245-00040009-000	<b>82.36</b>	245-00040009-001	<b>162.07</b>	5
3 1/2 - 4	4.00	12	4	245-00040012-000	<b>112.54</b>	245-00040012-001	<b>218.22</b>	6
4	4.25	3	4	245-00042503-000	<b>27.28</b>	245-00042503-001	<b>59.03</b>	2
4	4.25	6	3	245-00042506-000	<b>51.89</b>	245-00042506-001	<b>105.89</b>	4
4	4.50	3	4	245-00045003-000	<b>28.58</b>	245-00045003-001	<b>64.06</b>	2
4	4.50	6	3	245-00045006-000	<b>53.04</b>	245-00045006-001	<b>110.48</b>	3
4	4.50	9	3	245-00045009-000	<b>99.27</b>	245-00045009-001	<b>177.82</b>	5
4	4.50	12	4	245-00045012-000	<b>132.93</b>	245-00045012-001	<b>239.07</b>	6
5	5.00	3	6	245-00050003-000	<b>31.98</b>	245-00050003-001	<b>65.16</b>	2
5	5.00	6	3	245-00050006-000	<b>63.37</b>	245-00050006-001	<b>115.51</b>	3
5	5.00	9	4	245-00050009-000	<b>108.31</b>	245-00050009-001	<b>184.84</b>	5
5	5.00	12	4	245-00050012-000	<b>144.30</b>	245-00050012-001	<b>246.16</b>	6
5	5.56	3	6	245-00055603-000	<b>32.40</b>	245-00055603-001	<b>67.07</b>	2
5	5.56	6	3	245-00055606-000	<b>64.25</b>	245-00055606-001	<b>117.15</b>	4
5	5.56	9	4	245-00055609-000	<b>108.66</b>	245-00055609-001	<b>186.41</b>	5
5	5.56	12	3	245-00055612-000	<b>145.24</b>	245-00055612-001	<b>247.03</b>	7



## 245 Redi-Clamps Partial Coverage

Nominal Size Inches	O.D. Range Inches	Width Inches	Ctn. Qty.	Elec. Galv. B/N		304 Stainless Steel B/N		Approx. Weight lbs
				Catalog Number	List Price	Catalog Number	List Price	
6	6.00	3	6	245-00060003-000	<b>\$33.53</b>	245-00060003-001	<b>\$70.61</b>	2
6	6.00	6	3	245-00060006-000	<b>64.85</b>	245-00060006-001	<b>119.09</b>	4
6	6.00	9	3	245-00060009-000	<b>109.08</b>	245-00060009-001	<b>190.59</b>	6
6	6.00	12	3	245-00060012-000	<b>145.94</b>	245-00060012-001	<b>252.53</b>	8
6	6.25	3	6	245-00062503-000	<b>33.74</b>	245-00062503-001	<b>71.24</b>	2
6	6.63	3	6	245-00066303-000	<b>34.04</b>	245-00066303-001	<b>72.58</b>	2
6	6.63	6	3	245-00066306-000	<b>66.78</b>	245-00066306-001	<b>120.63</b>	4
6	6.63	9	2	245-00066309-000	<b>112.54</b>	245-00066309-001	<b>192.57</b>	6
6	6.63	12	3	245-00066312-000	<b>150.80</b>	245-00066312-001	<b>258.60</b>	8
8	8.00	3	4	245-00080003-000	<b>\$37.79</b>	245-00080003-001	<b>\$73.49</b>	3
8	8.00	6	2	245-00080006-000	<b>73.91</b>	245-00080006-001	<b>127.40</b>	5
8	8.00	9	2	245-00080009-000	<b>118.60</b>	245-00080009-001	<b>198.94</b>	7
8	8.00	12	2	245-00080012-000	<b>173.81</b>	245-00080012-001	<b>282.37</b>	9
8	8.63	3	4	245-00086303-000	<b>40.01</b>	245-00086303-001	<b>76.13</b>	3
8	8.63	6	2	245-00086306-000	<b>77.69</b>	245-00086306-001	<b>131.60</b>	5
8	8.63	9	2	245-00086309-000	<b>122.64</b>	245-00086309-001	<b>203.10</b>	7
8	8.63	12	2	245-00086312-000	<b>190.86</b>	245-00086312-001	<b>298.75</b>	9
10**	10.00	3	4	245-00100003-000	<b>73.32</b>	245-00100003-001	<b>115.50</b>	3
10**	10.00	6	2	245-00100006-000	<b>150.65</b>	245-00100006-001	<b>205.37</b>	5
10**	10.00	9	2	245-00100009-000	<b>248.41</b>	245-00100009-001	<b>317.67</b>	8
10**	10.00	12	2	245-00100012-000	<b>323.93</b>	245-00100012-001	<b>433.23</b>	10
10**	10.75	3	4	245-00107503-000	<b>73.62</b>	245-00107503-001	<b>125.78</b>	3
10**	10.75	6	2	245-00107506-000	<b>152.42</b>	245-00107506-001	<b>207.00</b>	7
10**	10.75	9	2	245-00107509-000	<b>249.02</b>	245-00107509-001	<b>320.88</b>	9
10**	10.75	12	2	245-00107512-000	<b>325.93</b>	245-00107512-001	<b>436.97</b>	13
12**	12.00	3	4	245-00120003-000	<b>83.37</b>	245-00120003-001	<b>135.39</b>	3
12**	12.00	6	2	245-00120006-000	<b>162.77</b>	245-00120006-001	<b>218.15</b>	6
12**	12.00	9	2	245-00120009-000	<b>262.08</b>	245-00120009-001	<b>333.71</b>	9
12**	12.00	12	2	245-00120012-000	<b>338.49</b>	245-00120012-001	<b>449.24</b>	12
12**	12.75	3	4	245-00127503-000	<b>84.28</b>	245-00127503-001	<b>136.72</b>	3
12**	12.75	6	2	245-00127506-000	<b>163.39</b>	245-00127506-001	<b>221.42</b>	7
12**	12.75	9	2	245-00127509-000	<b>262.36</b>	245-00127509-001	<b>336.98</b>	10
12**	12.75	12	2	245-00127512-000	<b>340.54</b>	245-00127512-001	<b>453.27</b>	13

\* For 1/8" lug-to-lug gridded gaskets (above 2" nom.), use end codes -100 for standard hardware or -101 for 304 stainless steel hardware. Contact inside sales for pricing.

\* For 1/4" thick gaskets, use end codes -300 (smooth) or -400 (gridded) for standard hardware and -301 (smooth) or -401 (gridded) for 304

\* For 1/4" thick gridded lug-to-lug gaskets (above 2" nom.), use end codes -800 for standard hardware and -801 for 304 stainless steel



## 246 Pipe Repair Clamps Double Band

Nominal Size Inches	O.D. Range Inches	Width Inches	Ctn. Qty.	Elec. Galv. B/N		304 Stainless Steel B/N		Apx. Wgt. Lbs.
				Catalog Number	List Price	Catalog Number	List Price	
10	10.00	5	2	246-00100005-000	<b>\$233.13</b>	246-00100005-001	<b>\$354.94</b>	12
10	10.00	10	1	246-00100010-000	<b>481.27</b>	246-00100010-001	<b>659.66</b>	24
10	10.25	5	2	246-00102505-000	<b>234.61</b>	246-00102505-001	<b>357.90</b>	12
10	10.25	10	1	246-00102510-000	<b>484.22</b>	246-00102510-001	<b>715.77</b>	24
10	10.75	5	2	246-00107505-000	<b>240.30</b>	246-00107505-001	<b>360.86</b>	14
10	10.75	10	1	246-00107510-000	<b>490.20</b>	246-00107510-001	<b>721.67</b>	28
10	12.00	5	2	246-00120005-000	<b>245.11</b>	246-00120005-001	<b>366.82</b>	15
12	12.00	10	1	246-00120010-000	<b>511.11</b>	246-00120010-001	<b>733.55</b>	30
12	12.00	5	2	246-00120005-000	<b>245.11</b>	246-00120005-001	<b>366.82</b>	15
12	12.00	10	1	246-00120010-000	<b>511.11</b>	246-00120010-001	<b>733.55</b>	30
12	12.25	5	2	246-00122505-000	<b>254.08</b>	246-00122505-001	<b>378.60</b>	15
12	12.25	10	1	246-00122510-000	<b>513.59</b>	246-00122510-001	<b>757.20</b>	30
12	12.75	5	2	246-00127505-000	<b>257.05</b>	246-00127505-001	<b>381.51</b>	16
12	12.75	10	1	246-00127510-000	<b>520.14</b>	246-00127510-001	<b>763.12</b>	30
14	14.00	5	2	246-00140005-000	<b>269.01</b>	246-00140005-001	<b>393.39</b>	16
14	14.00	10	1	246-00140010-000	<b>538.03</b>	246-00140010-001	<b>786.87</b>	31
16	16.00	5	1	246-00160005-000	<b>289.97</b>	246-00160005-001	<b>417.04</b>	17
16	16.00	10	1	246-00160010-000	<b>579.90</b>	246-00160010-001	<b>834.11</b>	33
18	18.00	5	1	246-00180005-000	<b>304.87</b>	246-00180005-001	<b>431.87</b>	18
18	18.00	10	1	246-00180010-000	<b>609.75</b>	246-00180010-001	<b>863.64</b>	36
20	20.00	5	1	246-00200005-000	<b>322.86</b>	246-00200005-001	<b>449.60</b>	19
20	20.00	10	1	246-00200010-000	<b>645.62</b>	246-00200010-001	<b>899.15</b>	39
22	22.00	5	1	246-00220005-000	<b>343.73</b>	246-00220005-001	<b>470.27</b>	20
22	22.00	10	1	246-00220010-000	<b>687.49</b>	246-00220010-001	<b>940.56</b>	41
24	24.00	5	1	246-00240005-000	<b>358.65</b>	246-00240005-001	<b>488.03</b>	22
24	24.00	10	1	246-00240010-000	<b>717.35</b>	246-00240010-001	<b>976.06</b>	44
30	30.00	5	1	246-00300005-000	<b>421.45</b>	246-00300005-001	<b>547.22</b>	23
30	30.00	10	1	246-00300010-000	<b>842.89</b>	246-00300010-001	<b>1094.36</b>	46

\*\* Two piece design.



## 247 Full Circle Redi-Clamps All 304 Stainless Steel, 360° Seal

Nominal Size Inches	O.D. Range Inches	Width Inches	Ctn. Qty.	304 Stainless Steel Bolts/Nuts Catalog Number	List Price	APX. WGT. LBS.
1/2	0.63	3	6	247-00006303-000	<b>\$94.14</b>	1
1/2	0.63	6	6	247-00006306-000	<b>164.79</b>	1
1/2	0.84	3	6	247-00008403-000	<b>94.55</b>	1
1/2	0.84	6	6	247-00008406-000	<b>164.83</b>	2
1/2	0.84	12	2	247-00008412-000*	<b>329.64</b>	3
3/4	0.88	3	6	247-00008803-000	<b>94.87</b>	1
3/4	0.88	6	6	247-00008806-000	<b>165.17</b>	2
3/4	1.05	3	6	247-00010503-000	<b>95.33</b>	1
3/4	1.05	6	6	247-00010506-000	<b>171.73</b>	2
3/4	1.05	12	2	247-00010512-000*	<b>343.46</b>	4
1	1.13	3	6	247-00011303-000	<b>99.10</b>	1
1	1.13	6	6	247-00011306-000	<b>172.28</b>	2
1	1.32	3	6	247-00013203-000	<b>100.33</b>	1
1	1.32	6	6	247-00013206-000	<b>173.95</b>	2
1	1.32	12	2	247-00013212-000*	<b>346.33</b>	4
1 1/4	1.38	3	6	247-00013803-000	<b>100.75</b>	1
1 1/4	1.38	6	6	247-00013806-000	<b>174.41</b>	2
1 1/4	1.66	3	6	247-00016603-000	<b>101.96</b>	1
1 1/4	1.66	6	6	247-00016606-000	<b>175.49</b>	2
1 1/4	1.66	12	2	247-00016612-000*	<b>350.96</b>	4
1 1/2	1.63	3	6	247-00016303-000	<b>102.68</b>	1
1 1/2	1.63	6	6	247-00016306-000	<b>175.06</b>	2
1 1/2	1.90	3	6	247-00019003-000	<b>104.06</b>	2
1 1/2	1.90	6	6	247-00019006-000	<b>177.48</b>	3
1 1/2	1.90	12	2	247-00019012-000*	<b>354.95</b>	4
2	2.13	3	6	247-00021303-000	<b>108.84</b>	2
2	2.13	6	6	247-00021306-000	<b>179.08</b>	3
2	2.38	3	6	247-00023803-000	<b>111.45</b>	2
2	2.38	6	6	247-00023806-000	<b>181.64</b>	4
2	2.38	12	2	247-00023812-000*	<b>363.29</b>	7

\*Do not use to join pipe.



## 248 Redi-Clamps All 304 Stainless Steel, Partial Coverage

Nominal Size Inches	O.D. Range Inches	Width Inches	Ctn. Qty.	304 Stainless Steel B/N Catalog Number	List Price	Approx. Weight lbs.
1/2	0.84	3	24	248-00008403-000	<b>\$47.20</b>	1
1/2	0.84	6	12	248-00008406-000	<b>85.02</b>	2
3/4	1.05	3	12	248-00010503-000	<b>47.87</b>	1
3/4	1.05	6	9	248-00010506-000	<b>85.84</b>	1
1	1.32	3	12	248-00013203-000	<b>50.03</b>	1
1	1.32	6	9	248-00013206-000	<b>88.19</b>	2
1 1/4	1.66	3	12	248-00016603-000	<b>50.25</b>	1
1 1/4	1.66	6	6	248-00016606-000	<b>90.36</b>	2
1 1/2	1.90	3	12	248-00019003-000	<b>56.46</b>	1
1 1/2	1.90	6	6	248-00019006-000	<b>108.41</b>	2
2	2.00	3	8	248-00020003-000	<b>68.93</b>	1
2	2.00	6	4	248-00020006-000	<b>132.67</b>	2
2	2.38	3	8	248-00023803-000	<b>70.13</b>	1
2	2.38	6	4	248-00023806-000	<b>138.25</b>	3
2	2.38	9	4	248-00023809-000	<b>207.51</b>	3
2	2.38	12	1	248-00023812-000	<b>278.34</b>	5



## 256 Full Circle Repair Clamp Single Band, All 304 Stainless Steel, Cast Lugs

Nominal Size Inches	O.D. Range Inches	Width Inches	Catalog Number	List Price	Approx. Weight lbs.
2	2.35-2.63	7.5	256-00023807-000	<b>\$241.56</b>	7
2	2.35-2.63	15	256-00023815-000	<b>483.06</b>	13
2 1/4-2 1/2	2.70-3.00	7.5	256-00027507-000	<b>254.39</b>	7
2 1/4-2 1/2	2.70-3.00	15	256-00027515-000	<b>506.47</b>	13
3	2.97-3.25	7.5	256-00030007-000	<b>258.41</b>	7
3	2.97-3.25	15	256-00030015-000	<b>512.86</b>	14
3	3.46-3.70	7.5	256-00035007-000	<b>267.74</b>	8
3	3.46-3.70	15	256-00035015-000	<b>521.88</b>	16
3-4	3.73-4.00	7.5	256-00037507-000	<b>273.19</b>	8
3-4	3.73-4.00	15	256-00037515-000	<b>526.03</b>	17
4	3.96-4.25	7.5	256-00040007-000	<b>278.59</b>	8
4	3.96-4.25	15	256-00040015-000	<b>536.52</b>	19
4	4.45-4.73	7.5	256-00045007-000	<b>285.96</b>	8
4	4.45-4.73	15	256-00045015-000	<b>554.90</b>	17
4	4.74-5.14	7.5	256-00048007-000	<b>297.52</b>	9
4	4.74-5.14	15	256-00048015-000	<b>566.01</b>	18
4	4.74-5.14	22.5	256-00048022-000	<b>831.81</b>	27
4-5	4.95-5.35	7.5	256-00050007-000	<b>302.72</b>	9
4-5	4.95-5.35	15	256-00050015-000	<b>605.39</b>	18
4-5	4.95-5.35	22.5	256-00050022-000	<b>964.69</b>	27
4-5	5.22-5.62	7.5	256-00052507-000	<b>305.19</b>	9
4-5	5.22-5.62	15	256-00052515-000	<b>610.30</b>	18
4-5	5.22-5.62	22.5	256-00052522-000	<b>969.63</b>	27
6	6.56-6.96	7.5	256-00066307-000	<b>337.13</b>	10
6	6.56-6.96	15	256-00066315-000	<b>674.31</b>	19
6	6.56-6.96	22.5	256-00066322-000	<b>1,072.95</b>	28
6	6.84-7.24	7.5	256-00069007-000	<b>342.05</b>	10
6	6.84-7.24	15	256-00069015-000	<b>684.16</b>	20
6	6.84-7.24	22.5	256-00069022-000	<b>1,092.64</b>	30
6	6.84-7.24	30	256-00069030-000	<b>1,368.28</b>	40
6	7.05-7.45	7.5	256-00071007-000	<b>\$364.16</b>	10
6	7.05-7.45	15	256-00071015-000	<b>728.44</b>	20
6	7.05-7.45	22.5	256-00071022-000	<b>1,161.57</b>	30
6	7.45-7.85	7.5	256-00074507-000	<b>371.57</b>	10
6	7.45-7.85	15	256-00074515-000	<b>743.20</b>	20
6	7.45-7.85	22.5	256-00074522-000	<b>1,191.06</b>	30
8	8.54-8.94	7.5	256-00086307-000	<b>381.45</b>	13
8	8.54-8.94	15	256-00086315-000	<b>762.89</b>	24
8	8.54-8.94	22.5	256-00086322-000	<b>1,255.05</b>	37
8	8.99-9.39	7.5	256-00090507-000	<b>388.86</b>	13
8	8.99-9.39	15	256-00090515-000	<b>777.65</b>	25



## 256 Full Circle Repair Clamp Single Band, All 304 Stainless Steel, Cast Lugs

Nominal Size Inches	O.D. Range Inches	Width Inches	Catalog Number	List Price	Approx. Weight lbs.
8	8.99-9.39	22.5	256-00090522-000	<b>\$1,279.65</b>	37
8	9.27-9.67	7.5	256-00094007-000	<b>396.23</b>	13
8	9.27-9.67	15	256-00094015-000	<b>792.39</b>	25
8	9.27-9.67	22.5	256-00094022-000	<b>1314.14</b>	37
10	10.64-11.04	7.5	256-00107507-000	<b>484.82</b>	13
10	10.64-11.04	15	256-00107515-000	<b>969.63</b>	26
10	10.64-11.04	22.5	256-00107522-000	<b>1501.16</b>	39
10	11.04-11.44	7.5	256-00111007-000	<b>494.62</b>	14
10	11.04-11.44	15	256-00111015-000	<b>989.26</b>	27
10	11.04-11.44	22.5	256-00111022-000	<b>1535.63</b>	42
10	11.75-12.15	7.5	256-00114007-000	<b>502.03</b>	14
10	11.34-11.74	15	256-00114015-000	<b>1004.02</b>	28
10	11.34-11.74	22.5	256-00114022-000	<b>1560.23</b>	42
10	11.34-11.74	7.5	256-00117507-000	<b>514.33</b>	14
10	11.75-12.15	15	256-00117515-000	<b>1028.65</b>	27
10	11.75-12.15	22.5	256-00117522-000	<b>1594.65</b>	45
12	13.10-13.02	7.5	256-00127507-000	<b>541.40</b>	15
12	12.62-13.02	15	256-00127515-000	<b>1082.79</b>	30
12	12.62-13.02	22.5	256-00127522-000	<b>1678.35</b>	44
12	13.40-13.50	7.5	256-00132007-000	<b>556.20</b>	15
12	13.10-13.50	15	256-00132015-000	<b>1112.36</b>	29
12	13.10-13.50	22.5	256-00132022-000	<b>1722.67</b>	44
12	13.40-13.80	7.5	256-00134007-000	<b>561.09</b>	15
12	13.40-13.80	15	256-00134015-000	<b>1122.18</b>	30
12	13.40-13.80	22.5	256-00134022-000	<b>1737.40</b>	45
12	13.70-14.10	7.5	256-00137007-000	<b>568.98</b>	16
12	13.70-14.10	15	256-00137015-000	<b>1136.88</b>	32
12	13.70-14.10	22.5	256-00137022-000	<b>1762.03</b>	48
12	14.00-14.40	7.5	256-00140007-000	<b>575.86</b>	16
12	14.00-14.40	15	256-00140015-000	<b>1151.70</b>	32
12	14.00-14.40	22.5	256-00140022-000	<b>1786.63</b>	47

For use on HDPE spring washers are required.



## 257 Full Circle Repair Clamps Double Band, All 304 Stainless Steel, Cast Lugs

Nominal Size Inches	O.D. Range Inches	Width Inches	Catalog Number	List Price	Approx. Weight lbs.
4	4.74-5.54	7.5	257-00048007-000	<b>\$555.36</b>	15
4	4.74-5.54	15	257-00048015-000	<b>1,060.65</b>	30
4	4.74-5.54	22.5	257-00048022-000	<b>1,540.51</b>	45
6	6.84-7.64	7.5	257-00069007-000	<b>575.86</b>	16
6	6.84-7.64	15	257-00069015-000	<b>1,151.70</b>	32
6	6.84-7.64	22.5	257-00069022-000	<b>1,757.08</b>	48
8	8.99-9.79	7.5	257-00090507-000	<b>659.51</b>	20
8	8.99-9.79	15	257-00090515-000	<b>1,319.06</b>	41
8	8.99-9.79	22.5	257-00090522-000	<b>1,978.56</b>	61
10	11.04-11.84	7.5	257-00111007-000	<b>733.35</b>	22
10	11.04-11.84	15	257-00111015-000	<b>1,466.70</b>	45
10	11.04-11.84	22.5	257-00111022-000	<b>2,116.40</b>	67
10	11.60-12.40	7.5	257-00116007-000	<b>753.03</b>	45
10	11.60-12.40	15	257-00116015-000	<b>1,506.10</b>	45
10	11.60-12.40	22.5	257-00116022-000	<b>2,234.53</b>	67
12	13.14-13.94	7.5	257-00132007-000	<b>814.59</b>	23
12	13.14-13.94	15	257-00132015-000	<b>1,629.12</b>	46
12	13.14-13.94	22.5	257-00132022-000	<b>2,396.92</b>	70
12	13.65-14.45	7.5	257-00136507-000	<b>831.81</b>	24
12	13.65-14.45	15	257-00136515-000	<b>1,663.57</b>	49
12	13.65-14.45	22.5	257-00136522-000	<b>2,446.15</b>	73

For use on HDPE spring washers are required



## 261 Full Circle Repair Clamps Single Band, All 304 Stainless Steel, Fabricated Lugs

Nominal Size Inches	O.D. Range Inches	Width Inches	Catalog Number	List Price	Approx. Weight lbs.
2	2.35-2.63	7.5	261-00023807-000	<b>\$130.32</b>	5
		10	261-00023810-000	<b>181.39</b>	7
		12.5	261-00023812-000	<b>216.77</b>	8
		15	261-00023815-000	<b>242.27</b>	9
2 1/4 - 2 1/2	2.70-3.00	7.5	261-00027507-000	<b>135.47</b>	5
		10	261-00027510-000	<b>187.93</b>	7
		12.5	261-00027512-000	<b>221.88</b>	8
		15	261-00027515-000	<b>255.21</b>	10
3	2.97-3.25	7.5	261-00030007-000	<b>144.77</b>	5
		10	261-00030010-000	<b>193.08</b>	7
		12.5	261-00030012-000	<b>226.86</b>	8
		15	261-00030015-000	<b>268.22</b>	10
3	3.46-3.70	7.5	261-00035007-000	<b>147.63</b>	6
		10	261-00035010-000	<b>196.51</b>	7
		12.5	261-00035012-000	<b>230.32</b>	8
		15	261-00035015-000	<b>269.90</b>	10
3-4	3.73-4.00	7.5	261-00037507-000	<b>149.40</b>	5
		10	261-00037510-000	<b>203.92</b>	7
		12.5	261-00037512-000	<b>238.74</b>	8
		15	261-00037515-000	<b>277.06</b>	11
3-4	3.96-4.25	7.5	261-00040007-000	<b>153.10</b>	6
		10	261-00040010-000	<b>207.99</b>	7
		12.5	261-00040012-000	<b>242.48</b>	9
		15	261-00040015-000	<b>281.21</b>	11
4	4.45-4.73	7.5	261-00045007-000	<b>163.42</b>	6
		10	261-00045010-000	<b>218.56</b>	8
		12.5	261-00045012-000	<b>254.85</b>	9
		15	261-00045015-000	<b>283.32</b>	11
4	4.74-5.14	7.5	261-00048007-000	<b>167.07</b>	7
		10	261-00048010-000	<b>219.98</b>	9
		12.5	261-00048012-000	<b>256.36</b>	10
		15	261-00048015-000	<b>284.71</b>	13
		20	261-00048020-000	<b>429.71</b>	17
4-5	4.95-5.35	7.5	261-00050007-000	<b>174.04</b>	7
		10	261-00050010-000	<b>221.45</b>	9
		12.5	261-00050012-000	<b>257.82</b>	10
		15	261-00050015-000	<b>294.22</b>	11
		20	261-00050020-000	<b>432.54</b>	17
4-5	5.22-5.62	7.5	261-00052507-000	<b>178.64</b>	7
		10	261-00052510-000	<b>223.45</b>	11
		12.5	261-00052512-000	<b>260.65</b>	11
		20	261-00052520-000	<b>438.27</b>	18



## 261 Full Circle Repair Clamps Single Band, All 304 Stainless Steel, Fabricated Lugs

Nominal Size Inches	O.D. Range Inches	Width Inches	Catalog Number	List Price	Approx. Weight lbs.
6	5.95-6.35	7.5	261-00060007-000	<b>\$184.15</b>	7
		10	261-00060010-000	<b>260.15</b>	10
		12.5	261-00060012-000	<b>306.52</b>	13
		15	261-00060015-000	<b>338.03</b>	14
		20	261-00060020-000	<b>524.33</b>	17
6	6.56-6.96	7.5	261-00066307-000	<b>188.79</b>	8
		10	261-00066310-000	<b>261.79</b>	10
		12.5	261-00066312-000	<b>309.39</b>	12
		15	261-00066315-000	<b>340.90</b>	15
		20	261-00066320-000	<b>532.13</b>	20
		25	261-00066325-000	<b>665.84</b>	30
6	6.84-7.24	30	261-00066330-000	<b>756.21</b>	30
		7.5	261-00069007-000	<b>194.80</b>	8
		10	261-00069010-000	<b>263.53</b>	10
		12.5	261-00069012-000	<b>312.21</b>	12
		15	261-00069015-000	<b>343.73</b>	15
		20	261-00069020-000	<b>539.97</b>	20
		25	261-00069025-000	<b>674.88</b>	25
6	7.05-7.45	30	261-00069030-000	<b>771.82</b>	30
		7.5	261-00071007-000	<b>197.69</b>	8
		10	261-00071010-000	<b>266.39</b>	10
		12.5	261-00071012-000	<b>315.07</b>	12
		15	261-00071015-000	<b>346.64</b>	15
		20	261-00071020-000	<b>548.21</b>	20
		25	261-00071025-000	<b>687.05</b>	25
6	7.45-7.85	30	261-00071030-000	<b>789.08</b>	30
		7.5	261-00074507-000	<b>215.27</b>	8
		10	261-00074510-000	<b>287.57</b>	11
		12.5	261-00074512-000	<b>351.56</b>	13
		15	261-00074515-000	<b>383.07</b>	16
		20	261-00074520-000	<b>556.68</b>	21
		25	261-00074525-000	<b>697.50</b>	25
8	7.95-8.35	30	261-00074530-000	<b>810.81</b>	31
		7.5	261-00080007-000	<b>224.89</b>	9
		10	261-00080010-000	<b>297.89</b>	11
		12.5	261-00080012-000	<b>360.95</b>	13
		15	261-00080015-000	<b>412.51</b>	17
		20	261-00080020-000	<b>584.38</b>	22
		25	261-00080025-000	<b>727.60</b>	27
		30	261-00080030-000	<b>855.92</b>	33



## 261 Full Circle Repair Clamps Single Band, All 304 Stainless Steel, Fabricated Lugs

Nominal Size Inches	O.D. Range Inches	Width Inches	Catalog Number	List Price	Approx. Weight lbs.
8	8.54-8.94	7.5	261-00086307-000	<b>\$226.33</b>	9
		10	261-00086310-000	<b>299.36</b>	12
		12.5	261-00086312-000	<b>362.41</b>	14
		15	261-00086315-000	<b>415.37</b>	17
		20	261-00086320-000	<b>587.23</b>	22
		25	261-00086325-000	<b>741.30</b>	28
		30	261-00086330-000	<b>874.86</b>	34
8	8.99-9.39	7.5	261-00090507-000	<b>227.78</b>	9
		10	261-00090510-000	<b>300.78</b>	12
		12.5	261-00090512-000	<b>363.80</b>	15
		15	261-00090515-000	<b>418.23</b>	17
		20	261-00090520-000	<b>606.81</b>	23
		25	261-00090525-000	<b>758.07</b>	29
		30	261-00090530-000	<b>897.13</b>	35
8	9.27-9.67	7.5	261-00094007-000	<b>229.19</b>	9
		10	261-00094010-000	<b>303.64</b>	12
		12.5	261-00094012-000	<b>366.65</b>	16
		15	261-00094015-000	<b>421.43</b>	18
		20	261-00094020-000	<b>615.33</b>	24
		25	261-00094025-000	<b>767.91</b>	29
		30	261-00094030-000	<b>918.72</b>	35
8-10	9.70-10.10	7.5	261-00100007-000	<b>293.94</b>	9
		10	261-00100010-000	<b>393.76</b>	13
		12.5	261-00100012-000	<b>461.23</b>	16
		15	261-00100015-000	<b>529.96</b>	19
		20	261-00100020-000	<b>707.56</b>	25
		25	261-00100025-000	<b>887.71</b>	31
		30	261-00100030-000	<b>1016.88</b>	37
10	10.64-11.04	7.5	261-00107507-000	<b>295.06</b>	10
		10	261-00107510-000	<b>388.14</b>	14
		12.5	261-00107512-000	<b>462.60</b>	16
		15	261-00107515-000	<b>535.66</b>	19
		20	261-00107520-000	<b>720.45</b>	25
		25	261-00107525-000	<b>894.79</b>	33
		30	261-00107530-000	<b>1029.44</b>	39
10	11.04-11.44	7.5	261-00111007-000	<b>296.43</b>	10
		10	261-00111010-000	<b>389.59</b>	13
		12.5	261-00111012-000	<b>464.05</b>	17
		15	261-00111015-000	<b>538.56</b>	20
		20	261-00111020-000	<b>740.19</b>	25
		25	261-00111025-000	<b>914.39</b>	33
		30	261-00111030-000	<b>1051.59</b>	40



## 261 Full Circle Repair Clamps Single Band, All 304 Stainless Steel, Fabricated Lugs

Nominal Size Inches	O.D. Range Inches	Width Inches	Catalog Number	List Price	Approx. Weight lbs.
10	11.34-11.74	7.5	261-00114007-000	<b>\$297.89</b>	10
		10	261-00114010-000	<b>392.42</b>	14
		12.5	261-00114012-000	<b>465.19</b>	17
		15	261-00114015-000	<b>541.41</b>	21
		20	261-00114020-000	<b>743.15</b>	28
		25	261-00114025-000	<b>926.53</b>	35
		30	261-00114030-000	<b>1075.83</b>	42
10	11.75-12.15	7.5	261-00117507-000	<b>299.34</b>	11
		10	261-00117510-000	<b>393.89</b>	14
		12.5	261-00117512-000	<b>466.94</b>	17
		15	261-00117515-000	<b>544.24</b>	22
		20	261-00117520-000	<b>759.75</b>	28
		25	261-00117525-000	<b>969.32</b>	34
10-12	12.00-12.40	7.5	261-00120007-000	<b>334.15</b>	11
		10	261-00120010-000	<b>442.58</b>	15
		12.5	261-00120012-000	<b>534.54</b>	18
		15	261-00120015-000	<b>604.42</b>	21
		20	261-00120020-000	<b>839.34</b>	28
		25	261-00120025-000	<b>996.84</b>	35
		30	261-00120030-000	<b>1185.94</b>	42
12	12.62-13.02	7.5	261-00127507-000	<b>335.13</b>	11
		10	261-00127510-000	<b>444.01</b>	15
		12.5	261-00127512-000	<b>538.56</b>	18
		15	261-00127515-000	<b>610.16</b>	21
		20	261-00127520-000	<b>857.03</b>	30
		25	261-00127525-000	<b>1002.59</b>	38
12	13.10-13.50	7.5	261-00132007-000	<b>350.78</b>	12
		10	261-00132010-000	<b>463.76</b>	15
		12.5	261-00132012-000	<b>561.87</b>	18
		15	261-00132015-000	<b>639.10</b>	21
		20	261-00132020-000	<b>873.30</b>	29
		25	261-00132025-000	<b>1046.35</b>	38
		30	261-00132030-000	<b>1226.77</b>	45
12	13.40-13.80	7.5	261-00134007-000	<b>353.72</b>	12
		10	261-00134010-000	<b>466.74</b>	15
		12.5	261-00134012-000	<b>564.80</b>	19
		15	261-00134015-000	<b>645.06</b>	23
		20	261-00134020-000	<b>888.83</b>	31
		25	261-00134025-000	<b>1052.32</b>	38
		30	261-00134030-000	<b>1248.53</b>	45



## 262 Full Circle Repair Clamps Double Band, All 304 Stainless Steel, Fabricated Lugs

Nominal Size Inches	O.D. Range Inches	Width Inches	Catalog Number	List Price	Approx. Weight lbs.
3	3.49-4.29	7.5	262-00035007-000	<b>\$208.46</b>	9
		10	262-00035010-000	<b>310.98</b>	12
		12.5	262-00035012-000	<b>329.57</b>	15
		15	262-00035015-000	<b>389.00</b>	18
		20	262-00035020-000	<b>503.20</b>	24
4	4.44-5.24	7.5	262-00045007-000	<b>254.14</b>	10
		10	262-00045010-000	<b>336.22</b>	13
		12.5	262-00045012-000	<b>398.07</b>	16
		15	262-00045015-000	<b>476.00</b>	20
		20	262-00045020-000	<b>637.39</b>	26
4	4.74-5.57	7.5	262-00048007-000	<b>256.08</b>	10
		10	262-00048010-000	<b>339.59</b>	14
		12.5	262-00048012-000	<b>400.83</b>	16
		15	262-00048015-000	<b>478.74</b>	20
		20	262-00048020-000	<b>640.25</b>	27
6	6.62-7.42	7.5	262-00066307-000	<b>294.20</b>	11
		10	262-00066310-000	<b>378.56</b>	16
		12.5	262-00066312-000	<b>439.82</b>	18
		15	262-00066315-000	<b>556.70</b>	22
		20	262-00066320-000	<b>759.90</b>	29
6	6.84-7.64	7.5	262-00069007-000	<b>297.85</b>	12
		10	262-00069010-000	<b>381.33</b>	15
		12.5	262-00069012-000	<b>442.58</b>	18
		15	262-00069015-000	<b>560.90</b>	22
		20	262-00069020-000	<b>762.67</b>	29
8	8.62-9.42	7.5	262-00086307-000	<b>336.83</b>	13
		10	262-00086310-000	<b>420.29</b>	17
		12.5	262-00086312-000	<b>489.89</b>	20
		15	262-00086315-000	<b>637.42</b>	25
		20	262-00086320-000	<b>862.87</b>	34
8	8.99-9.79	7.5	262-00090507-000	<b>339.59</b>	14
		10	262-00090510-000	<b>423.11</b>	18
		12.5	262-00090512-000	<b>492.69</b>	22
		15	262-00090515-000	<b>640.25</b>	26
		20	262-00090520-000	<b>865.64</b>	35
10	10.75-11.55	10	262-00107510-000	<b>551.12</b>	21
		15	262-00107515-000	<b>793.32</b>	31
		20	262-00107520-000	<b>1057.70</b>	42
10	11.10-11.90	10	262-00111010-000	<b>553.93</b>	21
		15	262-00111015-000	<b>796.05</b>	32
		20	262-00111020-000	<b>1060.52</b>	42

For use on HDPE pipe, spring washers are required



## 262 Full Circle Repair Clamps Double Band, All 304 Stainless Steel, Fabricated Lugs

Nominal Size Inches	O.D. Range Inches	Width Inches	Catalog Number	List Price	Approx. Weight lbs.
10	11.60-12.40	10	262-00116010-000	<b>\$556.70</b>	22
		15	262-00116015-000	<b>798.86</b>	32
		20	262-00116020-000	<b>1063.29</b>	43
12	12.75-13.55	10	262-00127510-000	<b>631.88</b>	23
		15	262-00127515-000	<b>907.43</b>	35
		20	262-00127520-000	<b>1224.72</b>	46
12	13.20-14.00	10	262-00132010-000	<b>634.66</b>	24
		15	262-00132015-000	<b>910.17</b>	35
		20	262-00132020-000	<b>1227.48</b>	47
12	13.65-14.45	10	262-00136510-000	<b>637.39</b>	24
		15	262-00136515-000	<b>915.75</b>	36
		20	262-00136520-000	<b>1233.07</b>	47
12	14.00-14.80	10	262-00140010-000	<b>643.02</b>	26
		15	262-00140015-000	<b>924.09</b>	38
		20	262-00140020-000	<b>1238.64</b>	51

For use on HDPE spring washers are required



## 263 Full Circle Repair Clamps Multi-Band, All 304 Stainless Steel, Fabricated Lugs

O.D. Range Inches	Width Inches	Catalog Number	List Price	Approx. Weight lbs.
11.04-12.24	10	263-00111010-000	<b>\$845.97</b>	21
	15	263-00111015-000	<b>1146.43</b>	34
	20	263-00111020-000	<b>1647.38</b>	47
	30	263-00111030-000	<b>2565.68</b>	74
13.14-14.34	10	263-00132010-000	<b>868.16</b>	24
	15	263-00132015-000	<b>1224.36</b>	35
	20	263-00132020-000	<b>1694.67</b>	49
	30	263-00132030-000	<b>2612.94</b>	76
13.65-14.85	10	263-00136510-000	<b>893.25</b>	27
	15	263-00136515-000	<b>1274.46</b>	36
	20	263-00136520-000	<b>1753.12</b>	50
	30	263-00136530-000	<b>2651.91</b>	78
14.85-16.05	10	263-00148510-000	<b>1015.68</b>	30
	15	263-00148515-000	<b>1469.23</b>	41
	20	263-00148520-000	<b>1981.31</b>	53
	30	263-00148530-000	<b>3005.35</b>	80
15.92-17.12	10	263-00159210-000	<b>1032.38</b>	30
	15	263-00159215-000	<b>1494.32</b>	45
	20	263-00159220-000	<b>2020.24</b>	62
	30	263-00159230-000	<b>3061.01</b>	80
17.15-18.35	10	263-00171510-000	<b>1071.39</b>	31
	15	263-00171515-000	<b>1541.64</b>	46
	20	263-00171520-000	<b>2048.07</b>	64
	30	263-00171530-000	<b>3158.38</b>	80
18.46-19.66	10	263-00184610-000	<b>1090.83</b>	31
	15	263-00184615-000	<b>1572.21</b>	45
	20	263-00184620-000	<b>2131.55</b>	53
	30	263-00184630-000	<b>3227.95</b>	81
19.45-20.65	10	263-00194510-000	<b>1129.78</b>	34
	15	263-00194515-000	<b>1719.65</b>	46
	20	263-00194520-000	<b>2329.10</b>	56
	30	263-00194530-000	<b>3525.70</b>	81
21.52-22.72	10	263-00215210-000	<b>1216.04</b>	34
	15	263-00215215-000	<b>1780.92</b>	48
	20	263-00215220-000	<b>2365.30</b>	59
	30	263-00215230-000	<b>3617.51</b>	84



## 263 Full Circle Repair Clamps Multi-Band, All 304 Stainless Steel, Fabricated Lugs

O.D. Range Inches	Width Inches	Catalog Number	List Price	Approx. Weight lbs.
22.80-24.00	10	263-00228010-000	<b>\$1,878.28</b>	36
	15	263-00228015-000	<b>2704.80</b>	51
	20	263-00228020-000	<b>3673.16</b>	62
	30	263-00228030-000	<b>5565.41</b>	88
24.38-25.58	10	263-00243810-000	<b>1892.23</b>	42
	15	263-00243815-000	<b>2754.87</b>	60
	20	263-00243820-000	<b>3728.83</b>	73
	30	263-00243830-000	<b>5621.07</b>	106
25.70-26.90	10	263-00257010-000	<b>1920.03</b>	43
	15	263-00257015-000	<b>2782.71</b>	62
	20	263-00257020-000	<b>3784.52</b>	74
	30	263-00257030-000	<b>5676.74</b>	106



## 264 Tapped Full Circle Repair Clamps Single Band, All 304 Stainless Steel, Fabricated Lugs

Nom Size Inches	O.D. Range In.	Width Inches	Catalog Number				List Price	Aprx. Wgt. Lbs.
			3/4" NPT	3/4" CC	1" NPT	1" CC		
3	3.46-3.70	7.5	264-00035007-006	264-00035007-007	264-00035007-008	264-00035007-009	<b>\$218.48</b>	6
		10	264-00035010-006	264-00035010-007	264-00035010-008	264-00035010-009	<b>267.37</b>	7
		12.5	264-00035012-006	264-00035012-007	264-00035012-008	264-00035012-009	<b>301.18</b>	8
		15	264-00035015-006	264-00035015-007	264-00035015-008	264-00035015-009	<b>340.76</b>	10
3	3.73-4.00	7.5	264-00037507-006	264-00037507-007	264-00037507-008	264-00037507-009	<b>220.26</b>	6
		10	264-00037510-006	264-00037510-007	264-00037510-008	264-00037510-009	<b>274.79</b>	7
		12.5	264-00037512-006	264-00037512-007	264-00037512-008	264-00037512-009	<b>309.59</b>	9
		15	264-00037515-006	264-00037515-007	264-00037515-008	264-00037515-009	<b>347.92</b>	13
4	3.96-4.25	7.5	264-00040007-006	264-00040007-007	264-00040007-008	264-00040007-009	<b>223.97</b>	6
		10	264-00040010-006	264-00040010-007	264-00040010-008	264-00040010-009	<b>278.86</b>	10
		12.5	264-00040012-006	264-00040012-007	264-00040012-008	264-00040012-009	<b>313.33</b>	10
		15	264-00040015-006	264-00040015-007	264-00040015-008	264-00040015-009	<b>352.08</b>	10
4	4.45-4.73	7.5	264-00045007-006	264-00045007-007	264-00045007-008	264-00045007-009	<b>234.29</b>	6
		10	264-00045010-006	264-00045010-007	264-00045010-008	264-00045010-009	<b>289.43</b>	7
		12.5	264-00045012-006	264-00045012-007	264-00045012-008	264-00045012-009	<b>325.70</b>	10
		15	264-00045015-006	264-00045015-007	264-00045015-008	264-00045015-009	<b>354.19</b>	11
4	4.74-5.14	7.5	264-00048007-006	264-00048007-007	264-00048007-008	264-00048007-009	<b>237.92</b>	7
		10	264-00048010-006	264-00048010-007	264-00048010-008	264-00048010-009	<b>290.84</b>	11
		12.5	264-00048012-006	264-00048012-007	264-00048012-008	264-00048012-009	<b>327.22</b>	11
		15	264-00048015-006	264-00048015-007	264-00048015-008	264-00048015-009	<b>355.57</b>	16
6	6.56-6.96	7.5	264-00066307-006	264-00066307-007	264-00066307-008	264-00066307-009	<b>259.65</b>	8
		10	264-00066310-006	264-00066310-007	264-00066310-008	264-00066310-009	<b>332.65</b>	11
		12.5	264-00066312-006	264-00066312-007	264-00066312-008	264-00066312-009	<b>380.27</b>	13
		15	264-00066315-006	264-00066315-007	264-00066315-008	264-00066315-009	<b>411.76</b>	18
6	6.84-7.24	7.5	264-00069007-006	264-00069007-007	264-00069007-008	264-00069007-009	<b>265.66</b>	10
		10	264-00069010-006	264-00069010-007	264-00069010-008	264-00069010-009	<b>334.40</b>	13
		12.5	264-00069012-006	264-00069012-007	264-00069012-008	264-00069012-009	<b>383.06</b>	12
		15	264-00069015-006	264-00069015-007	264-00069015-008	264-00069015-009	<b>414.58</b>	15
8	8.54-8.94	7.5	264-00086307-006	264-00086307-007	264-00086307-008	264-00086307-009	<b>297.19</b>	9
		10	264-00086310-006	264-00086310-007	264-00086310-008	264-00086310-009	<b>370.22</b>	15
		12.5	264-00086312-006	264-00086312-007	264-00086312-008	264-00086312-009	<b>433.26</b>	15
		15	264-00086315-006	264-00086315-007	264-00086315-008	264-00086315-009	<b>486.22</b>	17
8	8.99-9.39	7.5	264-00090507-006	264-00090507-007	264-00090507-008	264-00090507-009	<b>298.63</b>	9
		10	264-00090510-006	264-00090510-007	264-00090510-008	264-00090510-009	<b>371.66</b>	13
		12.5	264-00090512-006	264-00090512-007	264-00090512-008	264-00090512-009	<b>434.66</b>	16
		15	264-00090515-006	264-00090515-007	264-00090515-008	264-00090515-009	<b>489.08</b>	17

3/4" and 1" NPT and CC Taps

Additional widths available upon request. For use on HDPE spring washers are required



## 264 Tapped Full Circle Repair Clamps Single Band, All 304 Stainless Steel, Fabricated Lugs

No min al Size	O.D. Range Inches	Width Inches	Catalog Number				List Price	Aprx. Wgt. Lbs.
			1 1/4" NPT	1 1/4" CC	1 1/2" NPT	1 1/2" CC		
4	4.45-4.73	7.5	264-00045007-010	264-00045007-011	264-00045007-012	264-00045007-013	<b>257.91</b>	6
		10	264-00045010-010	264-00045010-011	264-00045010-012	264-00045010-013	<b>313.05</b>	7
		12.5	264-00045012-010	264-00045012-011	264-00045012-012	264-00045012-013	<b>349.32</b>	10
		15	264-00045015-010	264-00045015-011	264-00045015-012	264-00045015-013	<b>377.80</b>	11
4	4.74-5.14	7.5	264-00048007-010	264-00048007-011	264-00048007-012	264-00048007-013	<b>261.53</b>	7
		10	264-00048010-010	264-00048010-011	264-00048010-012	264-00048010-013	<b>314.45</b>	11
		12.5	264-00048012-010	264-00048012-011	264-00048012-012	264-00048012-013	<b>350.84</b>	11
		15	264-00048015-010	264-00048015-011	264-00048015-012	264-00048015-013	<b>379.20</b>	16
6	6.56-6.96	7.5	264-00066307-010	264-00066307-011	264-00066307-012	264-00066307-013	<b>283.27</b>	8
		10	264-00066310-010	264-00066310-011	264-00066310-012	264-00066310-013	<b>356.28</b>	10
		12.5	264-00066312-010	264-00066312-011	264-00066312-012	264-00066312-013	<b>403.88</b>	13
		15	264-00066315-010	264-00066315-011	264-00066315-012	264-00066315-013	<b>435.39</b>	15
6	6.84-7.24	7.5	264-00069007-010	264-00069007-011	264-00069007-012	264-00069007-013	<b>289.28</b>	8
		10	264-00069010-010	264-00069010-011	264-00069010-012	264-00069010-013	<b>358.02</b>	13
		12.5	264-00069012-010	264-00069012-011	264-00069012-012	264-00069012-013	<b>406.69</b>	13
		15	264-00069015-010	264-00069015-011	264-00069015-012	264-00069015-013	<b>438.21</b>	15
8	8.54-8.94	7.5	264-00086307-010	264-00086307-011	264-00086307-012	264-00086307-013	<b>320.81</b>	9
		10	264-00086310-010	264-00086310-011	264-00086310-012	264-00086310-013	<b>393.83</b>	15
		12.5	264-00086312-010	264-00086312-011	264-00086312-012	264-00086312-013	<b>456.89</b>	15
		15	264-00086315-010	264-00086315-011	264-00086315-012	264-00086315-013	<b>509.85</b>	17
8	8.99-9.39	7.5	264-00090507-010	264-00090507-011	264-00090507-012	264-00090507-013	<b>322.25</b>	10
		10	264-00090510-010	264-00090510-011	264-00090510-012	264-00090510-013	<b>395.27</b>	13
		12.5	264-00090512-010	264-00090512-011	264-00090512-012	264-00090512-013	<b>458.28</b>	15
		15	264-00090515-010	264-00090515-011	264-00090515-012	264-00090515-013	<b>512.70</b>	20

Additional widths and tap sizes available upon request. For use on HDPE, spring washers are required.



## 264 Tapped Full Circle Repair Clamps Single Band, All 304 Stainless Steel, Fabricated Lugs

Nominal Size Inches	O.D. Range Inches	Width Inches	Catalog Number		List Price	Approx. Weight lbs.
			2" NPT	2" CC		
4	4.45-4.73	7.5	264-00045007-014	264-00045007-015	<b>\$280.34</b>	6
		10.0	264-00045010-014	264-00045010-015	<b>335.48</b>	7
		12.5	264-00045012-014	264-00045012-015	<b>371.76</b>	10
		15.0	264-00045015-014	264-00045015-015	<b>400.24</b>	11
4	4.74-5.14	7.5	264-00048007-014	264-00048007-015	<b>283.98</b>	7
		10.0	264-00048010-014	264-00048010-015	<b>336.89</b>	11
		12.5	264-00048012-014	264-00048012-015	<b>373.28</b>	11
		15.0	264-00048015-014	264-00048015-015	<b>401.63</b>	15
6	6.56-6.96	7.5	264-00066307-014	264-00066307-015	<b>305.70</b>	8
		10.0	264-00066310-014	264-00066310-015	<b>378.71</b>	11
		12.5	264-00066312-014	264-00066312-015	<b>426.31</b>	13
		15.0	264-00066315-014	264-00066315-015	<b>457.82</b>	18
6	6.84-7.24	7.5	264-00069007-014	264-00069007-015	<b>311.71</b>	8
		10.0	264-00069010-014	264-00069010-015	<b>380.45</b>	11
		12.5	264-00069012-014	264-00069012-015	<b>429.12</b>	13
		15.0	264-00069015-014	264-00069015-015	<b>460.65</b>	19
8	8.54-8.94	7.5	264-00086307-014	264-00086307-015	<b>343.25</b>	9
		10.0	264-00086310-014	264-00086310-015	<b>416.27</b>	11
		12.5	264-00086312-014	264-00086312-015	<b>479.33</b>	15
		15.0	264-00086315-014	264-00086315-015	<b>532.29</b>	17
8	8.99-9.39	7.5	264-00090507-014	264-00090507-015	<b>344.68</b>	10
		10.0	264-00090510-014	264-00090510-015	<b>417.70</b>	12
		12.5	264-00090512-014	264-00090512-015	<b>480.72</b>	16
		15.0	264-00090515-014	264-00090515-015	<b>535.14</b>	18

Additional widths and tap sizes available upon request.  
For use on HDPE spring washers are required



## 265 Tapped Full Circle Repair Clamps Double Band, All 304 Stainless Steel, Fabricated Lugs

Nom. Size In.	O.D. Range Inches	Width Inches	Catalog Number				List Price	Approx. Weight lbs.
			3/4" NPT	3/4" CC	1" NPT	1" CC		
4	4.44-5.24	7.5	265-00045007-006	265-00045007-007	265-00045007-008	265-00045007-009	<b>\$325.00</b>	10
		10	265-00045010-006	265-00045010-007	265-00045010-008	265-00045010-009	<b>407.07</b>	15
		12.5	265-00045012-006	265-00045012-007	265-00045012-008	265-00045012-009	<b>468.93</b>	17
		15	265-00045015-006	265-00045015-007	265-00045015-008	265-00045015-009	<b>546.85</b>	23
6	6.62-7.42	7.5	265-00066307-006	265-00066307-007	265-00066307-008	265-00066307-009	<b>365.07</b>	11
		10	265-00066310-006	265-00066310-007	265-00066310-008	265-00066310-009	<b>449.41</b>	15
		12.5	265-00066312-006	265-00066312-007	265-00066312-008	265-00066312-009	<b>510.69</b>	19
		15	265-00066315-006	265-00066315-007	265-00066315-008	265-00066315-009	<b>627.55</b>	23
6	6.84-7.64	7.5	265-00069007-006	265-00069007-007	265-00069007-008	265-00069007-009	<b>368.71</b>	12
		10	265-00069010-006	265-00069010-007	265-00069010-008	265-00069010-009	<b>452.20</b>	16
		12.5	265-00069012-006	265-00069012-007	265-00069012-008	265-00069012-009	<b>513.44</b>	19
		15	265-00069015-006	265-00069015-007	265-00069015-008	265-00069015-009	<b>631.75</b>	30
8	8.62-9.42	7.5	265-00086307-006	265-00086307-007	265-00086307-008	265-00086307-009	<b>407.68</b>	13
		10	265-00086310-006	265-00086310-007	265-00086310-008	265-00086310-009	<b>491.15</b>	17
		12.5	265-00086312-006	265-00086312-007	265-00086312-008	265-00086312-009	<b>560.74</b>	22
		15	265-00086315-006	265-00086315-007	265-00086315-008	265-00086315-009	<b>708.28</b>	25
8	8.99-9.79	7.5	265-00090507-006	265-00090507-007	265-00090507-008	265-00090507-009	<b>410.45</b>	17
		10	265-00090510-006	265-00090510-007	265-00090510-008	265-00090510-009	<b>493.96</b>	20
		12.5	265-00090512-006	265-00090512-007	265-00090512-008	265-00090512-009	<b>563.56</b>	23
		15	265-00090515-006	265-00090515-007	265-00090515-008	265-00090515-009	<b>711.10</b>	30
10	10.75-11.55	10	265-00107510-006	265-00107510-007	265-00107510-008	265-00107510-009	<b>621.99</b>	23
		12.5	265-00107512-006	265-00107512-007	265-00107512-008	265-00107512-009	<b>743.09</b>	27
		15	265-00107515-006	265-00107515-007	265-00107515-008	265-00107515-009	<b>864.17</b>	35
10	11.10-11.90	10	265-00111010-006	265-00111010-007	265-00111010-008	265-00111010-009	<b>624.80</b>	27
		12.5	265-00111012-006	265-00111012-007	265-00111012-008	265-00111012-009	<b>745.86</b>	27
		15	265-00111015-006	265-00111015-007	265-00111015-008	265-00111015-009	<b>866.91</b>	34
12	13.20-14.00	10	265-00132010-006	265-00132010-007	265-00132010-008	265-00132010-009	<b>705.53</b>	25
		12.5	265-00132012-006	265-00132012-007	265-00132012-008	265-00132012-009	<b>843.29</b>	30
		15	265-00132015-006	265-00132015-007	265-00132015-008	265-00132015-009	<b>981.03</b>	37
12	12.75-13.55	10	265-00127510-006	265-00127510-007	265-00127510-008	265-00127510-009	<b>702.74</b>	25
		12.5	265-00127512-006	265-00127512-007	265-00127512-008	265-00127512-009	<b>840.51</b>	29
		15	265-00127515-006	265-00127515-007	265-00127515-008	265-00127515-009	<b>978.30</b>	37



## 265 Tapped Full Circle Repair Clamps Double Band, All 304 Stainless Steel, Fabricated Lugs

Nom. Size In.	O.D. Range In.	Width In.	Catalog Number				List Price	Approx. Weight lbs.
			1 1/4" NPT	1 1/4" CC	1 1/2" NPT	1 1/2" CC		
4	4.44-5.24	7.5	265-00045007-010	265-00045007-011	265-00045007-012	265-00045007-013	<b>\$348.61</b>	10
		10	265-00045010-010	265-00045010-011	265-00045010-012	265-00045010-013	<b>430.70</b>	13
		12.5	265-00045012-010	265-00045012-011	265-00045012-012	265-00045012-013	<b>492.54</b>	16
		15	265-00045015-010	265-00045015-011	265-00045015-012	265-00045015-013	<b>570.47</b>	23
6	6.62-7.42	7.5	265-00066307-010	265-00066307-011	265-00066307-012	265-00066307-013	<b>388.69</b>	12
		10	265-00066310-010	265-00066310-011	265-00066310-012	265-00066310-013	<b>473.03</b>	20
		12.5	265-00066312-010	265-00066312-011	265-00066312-012	265-00066312-013	<b>534.30</b>	19
		15	265-00066315-010	265-00066315-011	265-00066315-012	265-00066315-013	<b>651.18</b>	23
6	6.84-7.64	7.5	265-00069007-010	265-00069007-011	265-00069007-012	265-00069007-013	<b>392.33</b>	12
		10	265-00069010-010	265-00069010-011	265-00069010-012	265-00069010-013	<b>475.82</b>	16
		12.5	265-00069012-010	265-00069012-011	265-00069012-012	265-00069012-013	<b>537.06</b>	19
		15	265-00069015-010	265-00069015-011	265-00069015-012	265-00069015-013	<b>655.37</b>	30
8	8.62-9.42	7.5	265-00086307-010	265-00086307-011	265-00086307-012	265-00086307-013	<b>431.31</b>	13
		10	265-00086310-010	265-00086310-011	265-00086310-012	265-00086310-013	<b>514.78</b>	17
		12.5	265-00086312-010	265-00086312-011	265-00086312-012	265-00086312-013	<b>584.37</b>	22
		15	265-00086315-010	265-00086315-011	265-00086315-012	265-00086315-013	<b>731.89</b>	25
8	8.99-9.79	7.5	265-00090507-010	265-00090507-011	265-00090507-012	265-00090507-013	<b>434.07</b>	14
		10	265-00090510-010	265-00090510-011	265-00090510-012	265-00090510-013	<b>517.59</b>	20
		12.5	265-00090512-010	265-00090512-011	265-00090512-012	265-00090512-013	<b>587.17</b>	25
		15	265-00090515-010	265-00090515-011	265-00090515-012	265-00090515-013	<b>734.72</b>	30
10	10.75-11.55	10	265-00107510-010	265-00107510-011	265-00107510-012	265-00107510-013	<b>645.60</b>	23
		12.5	265-00107512-010	265-00107512-011	265-00107512-012	265-00107512-013	<b>766.71</b>	27
		15	265-00107515-010	265-00107515-011	265-00107515-012	265-00107515-013	<b>887.79</b>	35
10	11.10-11.90	10	265-00111010-010	265-00111010-011	265-00111010-012	265-00111010-013	<b>648.42</b>	23
		12.5	265-00111012-010	265-00111012-011	265-00111012-012	265-00111012-013	<b>769.47</b>	28
		15	265-00111015-010	265-00111015-011	265-00111015-012	265-00111015-013	<b>890.54</b>	34
12	12.75-13.55	10	265-00127510-010	265-00127510-011	265-00127510-012	265-00127510-013	<b>726.36</b>	25
		12.5	265-00127512-010	265-00127512-011	265-00127512-012	265-00127512-013	<b>864.14</b>	29
		15	265-00127515-010	265-00127515-011	265-00127515-012	265-00127515-013	<b>1001.91</b>	38
12	13.20-14.00	10	265-00132010-010	265-00132010-011	265-00132010-012	265-00132010-013	<b>729.15</b>	25
		12.5	265-00132012-010	265-00132012-011	265-00132012-012	265-00132012-013	<b>866.91</b>	30
		15	265-00132015-010	265-00132015-011	265-00132015-012	265-00132015-013	<b>1004.65</b>	37

Additional widths and tap sizes available upon request. For use on HDPE spring washers are required



## 265 Tapped Full Circle Repair Clamps Double Band, All 304 Stainless Steel, Fabricated Lugs

Nom. Size Inches	O.D. Range In.	Width In.	Catalog Number		List Price	Approx. Weight Lbs.
			2" NPT	2" CC		
4	4.44-5.24	7.5	265-00045007-014	265-00045007-015	<b>\$371.05</b>	10
		10	265-00045010-014	265-00045010-015	<b>453.14</b>	13
		12.5	265-00045010-014	265-00045010-015	<b>514.99</b>	16
		15	265-00045015-014	265-00045015-015	<b>592.90</b>	23
6	6.62-7.42	7.5	265-00066307-014	265-00066307-015	<b>411.13</b>	12
		10	265-00066310-014	265-00066310-015	<b>495.46</b>	20
		12.5	265-00066312-014	265-00066312-015	<b>556.74</b>	19
		15	265-00066315-014	265-00066315-015	<b>673.62</b>	23
6	6.84-7.64	7.5	265-00069007-014	265-00069007-015	<b>414.77</b>	12
		10	265-00069010-014	265-00069010-015	<b>498.26</b>	16
		12.5	265-00069012-014	265-00069012-015	<b>559.49</b>	19
		15	265-00069015-014	265-00069015-015	<b>677.82</b>	30
8	8.62-9.42	7.5	265-00086307-014	265-00086307-015	<b>453.75</b>	13
		10	265-00086310-014	265-00086310-015	<b>537.21</b>	17
		12.5	265-00086312-014	265-00086312-015	<b>606.81</b>	22
		15	265-00086315-014	265-00086315-015	<b>754.34</b>	25
8	8.99-9.79	7.5	265-00090507-014	265-00090507-015	<b>456.51</b>	14
		10	265-00090510-014	265-00090510-015	<b>540.03</b>	20
		12.5	265-00090512-014	265-00090512-015	<b>609.62</b>	25
		15	265-00090515-014	265-00090515-015	<b>757.16</b>	30
10	10.75-11.55	10	265-00107510-014	265-00107510-015	<b>668.05</b>	23
		12.5	265-00107512-014	265-00107512-015	<b>789.15</b>	27
		15	265-00107515-014	265-00107515-015	<b>913.77</b>	35
10	11.10-11.90	10	265-00111010-014	265-00111010-015	<b>670.85</b>	23
		12.5	265-00111012-014	265-00111012-015	<b>791.91</b>	28
		15	265-00111015-014	265-00111015-015	<b>912.96</b>	34
12	12.75-13.55	10	265-00127510-014	265-00127510-015	<b>748.80</b>	25
		12.5	265-00127512-014	265-00127512-015	<b>886.58</b>	29
		15	265-00127515-014	265-00127515-015	<b>1024.36</b>	38
12	13.20-14.00	10	265-00132010-014	265-00132010-015	<b>751.59</b>	25
		12.5	265-00132012-014	265-00132012-015	<b>889.35</b>	30
		15	265-00132015-014	265-00132015-015	<b>1027.09</b>	37

**267 & 268 Full Circle Repair Clamps  
Higher Pressure, Multi-Band**



**Carbon Steel  
High Pressure**



**Stainless Steel  
V Lug Style**

**Contact Xylem's Smith-Blair  
for sizes and pricing.**



**269 Full Circle Collar Leak Clamps**  
**Single Band, All 304 Stainless Steel, Fabricated Lugs**

Nominal Size Inches	O.D. Range Inches	Width Inches	Catalog Number	List Price	Approx Weight lbs.
2	2.38	7.5	269-00023807-000	<b>\$139.25</b>	5
2.5	2.88	7.5	269-00028807-000	<b>152.71</b>	5
3	3.50	7.5	269-00035007-000	<b>162.71</b>	6
3.5	4.00	7.5	269-00040007-000	<b>165.09</b>	6
4	4.50	7.5	269-00045007-000	<b>196.82</b>	6
5	5.56	7.5	269-00055607-000	<b>215.40</b>	7
6	6.63	7.5	269-00066307-000	<b>234.89</b>	8
8	8.63	7.5	269-00086307-000	<b>263.53</b>	9
10	10.75	7.5	269-00107507-000	<b>295.60</b>	11
12	12.75	7.5	269-00127507-000	<b>336.22</b>	13



## 274 Bell Joint Leak Clamps Alloy Bolts & Nuts and 304 Stainless Steel Bolts & Nuts DI Pipe and Short Bell C900 PVC

Nominal Size Inches	O.D. Range Inches	Bolt Qty.	Bolt Size	Alloy Bolts & Nuts		304 Stainless Steel Bolts & Nuts		Approx. Weight lbs.
				Catalog Number	List Price	Catalog Number	List Price	
2	2.50	4	1/2 x 7	274-00000250-000	<b>\$280.67</b>	274-00000250-002	<b>\$302.53</b>	7
3	3.80-3.96	4	5/8 x 9	274-00000380-000	<b>280.67</b>	274-00000380-002	<b>375.67</b>	15
4	4.80-5.00	4	5/8 x 9	274-00000480-000	<b>288.98</b>	274-00000480-002	<b>384.51</b>	18
6	6.90-7.10	4	5/8 x 9	274-00000690-000	<b>318.26</b>	274-00000690-002	<b>413.27</b>	22
8	9.05-9.30	6	5/8 x 10 1/2	274-00000905-000	<b>439.75</b>	274-00000905-002	<b>587.22</b>	31
10	11.10-11.40	6	5/8 x 10 1/2	274-00001110-000	<b>552.56</b>	274-00001110-002	<b>700.01</b>	35
12	13.20-13.50	6	5/8 x 10 1/2	274-00001320-000	<b>597.65</b>	274-00001320-002	<b>731.98</b>	47
14*	15.30	8	5/8 x 11	274-00001530-000	<b>2078.45</b>	274-00001530-002	<b>2299.50</b>	52
14*	15.65	8	5/8 x 11	274-00001565-000	<b>2078.45</b>	274-00001565-002	<b>2299.50</b>	54
16	17.40-17.80	9	5/8 x 13	274-00001740-000	<b>933.25</b>	274-00001740-002	<b>1228.56</b>	73
18	19.50-19.92	12	5/8 x 13	274-00001950-000	<b>1296.86</b>	274-00001950-002	<b>1592.18</b>	84
20	21.60-22.06	12	5/8 x 13	274-00002160-000	<b>1506.03</b>	274-00002160-002	<b>1801.34</b>	112
24	25.80-26.32	12	5/8 x 13	274-00002580-000	<b>1715.19</b>	274-00002580-002	<b>2010.50</b>	124
30†	31.74-32.74	15	5/8 x 17	274-00003174-000	<b>3024.89</b>	274-00003174-002	<b>3966.86</b>	239
36†	37.96-38.70	18	5/8 x 17	274-00003796-000	<b>3636.34</b>	274-00003796-002	<b>4578.04</b>	295

\*Fabricated Carbon Steel.

†Not recommended for PVC pipe.

May be used on C900, cast iron pipe sizes. Longer bolts may be required (see below).

## DI Pipe and Longer Bell C900 PVC

Nominal Size	O.D. Range Inches	Bolt Qty.	Bolt or Stud Size**	Catalog Number	List Price	Approx. Weight lbs.
4	4.80-5.00	4	5/8 x 17	274-40000480-500	<b>\$297.23</b>	23
6	6.90-7.10	4	5/8 x 17	274-40000690-500	<b>326.50</b>	25
8	9.05-9.30	6	5/8 x 17	274-30000905-500	<b>450.26</b>	37
10	11.10-11.40	6	5/8 x 17	274-30001110-500	<b>560.91</b>	38
12	13.20-13.50	6	5/8 x 17	274-30001320-500	<b>605.13</b>	50
14*	15.30	8	5/8 x 17	274-30001530-500	<b>2051.81</b>	52
14*	15.65	8	5/8 x 17	274-30001565-500	<b>2051.81</b>	54
16	17.40-17.80	9	5/8 x 25	274-40001740-000	<b>991.18</b>	76
18	19.50-19.92	12	5/8 x 25	274-40001950-000	<b>1373.10</b>	90
20	21.60-22.06	12	5/8 x 25	274-40002160-000	<b>1578.26</b>	112
24	25.80-26.32	12	5/8 x 25	274-40002580-000	<b>1783.38</b>	144
30†	31.74-32.74	15	5/8 x 27	274-40003174-000	<b>3052.32</b>	239
36†	37.96-38.70	18	5/8 x 27	274-40003796-000	<b>3669.11</b>	295

\*Fabricated Carbon Steel.

†Not recommended for PVC pipe.

\*\*-500 end code = 12" of thread

\*\*-000 end code = studs

5/8 x 17" bolts have 12-inches of thread. 5/8 x 25" all thread.



## 281 Full Circle Wide Range Repair Clamps

Nom. Size Inches	OD Size Inches	Catalog Number	Width Inches	Approx Wt. Each Lbs.	List Price Each
3	3.46-4.04	281-00035007-000	7.5	6	<b>\$169.73</b>
		281-00035010-000	10	8	<b>240.45</b>
		281-00035012-000	12.5	9	<b>307.91</b>
		281-00035015-000	15	12	<b>352.33</b>
4	4.45-5.14	281-00045007-000	7.5	7	<b>174.30</b>
		281-00045010-000	10	9	<b>244.13</b>
		281-00045012-000	12.5	12	<b>316.05</b>
		281-00045015-000	15	15	<b>375.59</b>
4	4.75-5.45	281-00048007-000	7.5	7	<b>177.98</b>
		281-00048010-000	10	10	<b>248.69</b>
		281-00048012-000	12.5	12	<b>324.98</b>
		281-00048015-000	15	15	<b>383.20</b>
		281-00048020-000	20	19	<b>528.99</b>
6	6.56-7.36	281-00066307-000	7.5	8	<b>198.35</b>
		281-00066310-000	10	11	<b>280.19</b>
		281-00066312-000	12.5	13	<b>372.33</b>
		281-00066315-000	15	17	<b>439.11</b>
		281-00066320-000	20	22	<b>607.53</b>
		281-00066325-000	25	26	<b>814.07</b>
		281-00066330-000	30	34	<b>983.06</b>
6	6.83-7.63	281-00069007-000	7.5	8	<b>201.18</b>
		281-00069010-000	10	11	<b>284.08</b>
		281-00069012-000	12.5	13	<b>378.00</b>
		281-00069015-000	15	17	<b>445.67</b>
		281-00069020-000	20	22	<b>616.61</b>
		281-00069025-000	25	26	<b>825.20</b>
		281-00069030-000	30	34	<b>996.08</b>
8	8.54-9.34	281-00086307-000	7.5	10	<b>219.50</b>
		281-00086310-000	10	13	<b>309.17</b>
		281-00086312-000	12.5	16	<b>414.80</b>
		281-00086315-000	15	19	<b>487.88</b>
		281-00086320-000	20	25	<b>675.40</b>
		281-00086325-000	25	32	<b>897.38</b>
		281-00086330-000	30	38	<b>1080.61</b>
8	8.99-9.79	281-00090507-000	7.5	10	<b>239.14</b>
		281-00090510-000	10	13	<b>316.37</b>
		281-00090512-000	12.5	16	<b>425.30</b>
		281-00090515-000	15	19	<b>500.01</b>
		281-00090520-000	20	25	<b>692.21</b>
		281-00090525-000	25	32	<b>917.90</b>
		281-00090530-000	30	38	<b>1104.81</b>



## 281 Full Circle Wide Range Repair Clamps

Nom. Size Inches	OD Size Inches	Catalog Number	Width Inches	Approx Wt. Each Lbs.	List Price Each
10	10.64-11.54	281-00107507-000	7.5	11	<b>\$268.91</b>
		281-00107510-000	10	14	<b>386.93</b>
		281-00107512-000	12.5	18	<b>518.49</b>
		281-00107515-000	15	22	<b>604.14</b>
		281-00107520-000	20	29	<b>832.49</b>
		281-00107525-000	25	36	<b>1087.80</b>
		281-00107530-000	30	44	<b>1208.45</b>
10	11.34-12.24	281-00114007-000	7.5	11	<b>305.32</b>
		281-00114010-000	10	15	<b>401.28</b>
		281-00114012-000	12.5	18	<b>523.53</b>
		281-00114015-000	15	22	<b>609.74</b>
		281-00114020-000	20	29	<b>840.32</b>
		281-00114025-000	25	36	<b>1098.67</b>
		281-00114030-000	30	44	<b>1218.88</b>
12	12.62-13.57	281-00127507-000	7.5	12	<b>305.32</b>
		281-00127510-000	10	15	<b>412.13</b>
		281-00127512-000	12.5	20	<b>535.50</b>
		281-00127515-000	15	24	<b>627.90</b>
		281-00127520-000	20	31	<b>847.61</b>
		281-00127525-000	25	40	<b>1112.48</b>
		281-00127530-000	30	48	<b>1283.31</b>
12	13.44-14.39	281-00135007-000	7.5	12	<b>364.82</b>
		281-00135010-000	10	16	<b>486.94</b>
		281-00135012-000	12.5	20	<b>589.94</b>
		281-00135015-000	15	24	<b>671.06</b>
		281-00135020-000	20	31	<b>916.86</b>
		281-00135025-000	25	40	<b>1121.30</b>
		281-00135030-000	30	48	<b>1286.67</b>



## 311 Service Saddle Single Bale, Ductile Iron Body, Electro-Galvanized

Nominal Size Inches	O.D. Range Inches	Tap Size & Type Inches	Catalog Number	List Price	Approx. Weight lbs.
1	1.31-1.39	5/8 CC	311-00013905-000	<b>\$29.57</b>	3
		3/4 NPT	311-00013906-000	<b>29.57</b>	3
		3/4 CC	311-00013907-000	<b>29.57</b>	3
1 1/4-1 1/2	1.61-1.92	5/8 CC	311-00019205-000	<b>30.39</b>	3
		3/4 NPT	311-00019206-000	<b>30.39</b>	3
		3/4 CC	311-00019207-000	<b>30.39</b>	3
		1 NPT	311-00019208-000	<b>30.39</b>	3
		1 CC	311-00019209-000	<b>30.39</b>	3
2	2.38	5/8 CC	311-00023805-000	<b>35.07</b>	3
		3/4 NPT	311-00023806-000	<b>35.07</b>	3
		3/4 CC	311-00023807-000	<b>35.07</b>	3
		1 NPT	311-00023808-000	<b>35.07</b>	3
		1 CC	311-00023809-000	<b>35.07</b>	3
2	2.35-2.56	5/8 CC	311-00025605-000	<b>32.73</b>	3
		3/4 NPT	311-00025606-000	<b>32.73</b>	3
		3/4 CC	311-00025607-000	<b>32.73</b>	3
		1 NPT	311-00025608-000	<b>32.73</b>	3
		1 CC	311-00025609-000	<b>32.73</b>	3
		1 1/4 NPT	311-00025610-000	<b>43.70</b>	4
		1 1/4 CC	311-00025611-000	<b>43.70</b>	4
		1 1/2 NPT	311-00025612-000	<b>43.70</b>	4
2 1/4-2 1/2	2.44-2.91	5/8 CC	311-00029105-000	<b>34.35</b>	3
		3/4 NPT	311-00029106-000	<b>34.35</b>	3
		3/4 CC	311-00029107-000	<b>34.35</b>	3
		1 NPT	311-00029108-000	<b>34.35</b>	3
		1 CC	311-00029109-000	<b>34.35</b>	3
		1 1/4 NPT	311-00029110-000	<b>44.66</b>	3
		1 1/4 CC	311-00029111-000	<b>44.66</b>	3
		1 1/2 NPT	311-00029112-000	<b>44.66</b>	3
		1 1/2 CC	311-00029113-000	<b>44.66</b>	3



## 311 Service Saddle Single Bale, Ductile Iron Body, Electro-Galvanized

Nominal Size Inches	O.D. Range Inches	Tap Size & Type Inches	Catalog Number	List Price	Approx. Weight lbs.
3	2.97-3.54	5/8 CC	311-00035405-000	<b>\$36.59</b>	3
		3/4 NPT	311-00035406-000	<b>36.59</b>	3
		3/4 CC	311-00035407-000	<b>36.59</b>	3
		1 NPT	311-00035408-000	<b>36.59</b>	3
		1 CC	311-00035409-000	<b>36.59</b>	3
		1 1/4 NPT	311-00035410-000	<b>47.74</b>	3
		1 1/4 CC	311-00035411-000	<b>47.74</b>	3
		1 1/2 NPT	311-00035412-000	<b>47.74</b>	3
		1 1/2 CC	311-00035413-000	<b>47.74</b>	3
4	4.40-4.50	5/8 CC	311-00045005-000	<b>39.88</b>	3
		3/4 NPT	311-00045006-000	<b>39.88</b>	3
		3/4 CC	311-00045007-000	<b>39.88</b>	3
		1 NPT	311-00045008-000	<b>39.88</b>	3
		1 CC	311-00045009-000	<b>39.88</b>	3
		1 1/4 NPT	311-00045010-000	<b>53.70</b>	5
		1 1/4 CC	311-00045011-000	<b>53.70</b>	5
		1 1/2 NPT	311-00045012-000	<b>53.70</b>	5
		1 1/2 CC	311-00045013-000	<b>53.70</b>	5
4	4.40-4.80	2 NPT	311-00045014-000	<b>53.70</b>	5
		5/8 CC	311-00048005-000	<b>40.51</b>	3
		3/4 NPT	311-00048006-000	<b>40.51</b>	3
		3/4 CC	311-00048007-000	<b>40.51</b>	3
		1 NPT	311-00048008-000	<b>40.51</b>	3
		1 CC	311-00048009-000	<b>40.51</b>	3
		1 1/4 NPT	311-00048010-000	<b>56.67</b>	5
		1 1/4 CC	311-00048011-000	<b>56.67</b>	5
		1 1/2 NPT	311-00048012-000	<b>56.67</b>	5
1 1/2 CC	311-00048013-000	<b>56.67</b>	5		
2 NPT	311-00048014-000	<b>56.67</b>	5		



## 311 Service Saddle Single Bale, Ductile Iron Body, Electro-Galvanized

Nominal Size Inches	O.D. Range Inches	Tap Size & Type Inches	Catalog Number	List Price	Approx. Weight lbs.
4-5	4.74-5.63	5/8 CC	311-00056305-000	<b>\$43.24</b>	4
		3/4 NPT	311-00056306-000	<b>43.24</b>	4
		3/4 CC	311-00056307-000	<b>43.24</b>	4
		1 NPT	311-00056308-000	<b>43.24</b>	4
		1 CC	311-00056309-000	<b>43.24</b>	4
		1 1/4 NPT	311-00056310-000	<b>58.92</b>	5
		1 1/4 CC	311-00056311-000	<b>58.92</b>	5
		1 1/2 NPT	311-00056312-000	<b>58.92</b>	5
		1 1/2 CC	311-00056313-000	<b>58.92</b>	5
		2 NPT	311-00056314-000	<b>58.92</b>	5
5-6	5.94-6.70	5/8 NPT	311-00066305-000	<b>47.03</b>	4
		3/4 NPT	311-00066306-000	<b>47.03</b>	4
		3/4 CC	311-00066307-000	<b>47.03</b>	4
		1 NPT	311-00066308-000	<b>47.03</b>	4
		1 CC	311-00066309-000	<b>47.03</b>	4
		1 1/4 NPT	311-00066310-000	<b>65.46</b>	5
		1 1/4 CC	311-00066311-000	<b>65.46</b>	5
		1 1/2 NPT	311-00066312-000	<b>65.46</b>	5
		1 1/2 CC	311-00066313-000	<b>65.46</b>	5
		2 NPT	311-00066314-000	<b>65.46</b>	5
5-6	5.94-6.90	5/8 CC	311-00069005-000	<b>47.03</b>	4
		3/4 NPT	311-00069006-000	<b>47.03</b>	4
		3/4 CC	311-00069007-000	<b>47.03</b>	4
		1 NPT	311-00069008-000	<b>47.03</b>	4
		1 CC	311-00069009-000	<b>47.03</b>	4
		1 1/4 NPT	311-00069010-000	<b>65.46</b>	5
		1 1/4 CC	311-00069011-000	<b>65.46</b>	5
		1 1/2 NPT	311-00069012-000	<b>65.46</b>	5
		1 1/2 CC	311-00069013-000	<b>65.46</b>	5
		2 NPT	311-00069014-000	<b>65.46</b>	5



## 311 Service Saddles Single Bale, Ductile Iron Body, Electro-Galvanized

Nominal Size Inches	O.D. Range Inches	Tap Size & Type Inches	Catalog Number	List Price	Approx. Weight Lbs.
6	6.84-7.60	5/8 CC	311-00076005-000	<b>\$50.22</b>	4
		3/4 NPT	311-00076006-000	<b>50.22</b>	4
		3/4 CC	311-00076007-000	<b>50.22</b>	4
		1 NPT	311-00076008-000	<b>50.22</b>	4
		1 CC	311-00076009-000	<b>50.22</b>	4
		1 1/4 NPT	311-00076010-000	<b>70.72</b>	6
		1 1/4 CC	311-00076011-000	<b>70.72</b>	6
		1 1/2 NPT	311-00076012-000	<b>70.72</b>	6
		1 1/2 CC	311-00076013-000	<b>70.72</b>	6
		2 NPT	311-00076014-000	<b>70.72</b>	6
6-8	7.69-8.72	5/8 CC	311-00087205-000	<b>56.89</b>	5
		3/4 NPT	311-00087206-000	<b>56.89</b>	5
		3/4 CC	311-00087207-000	<b>56.89</b>	5
		1 NPT	311-00087208-000	<b>56.89</b>	5
		1 CC	311-00087209-000	<b>56.89</b>	5
		1/4 NPT	311-00087210-000	<b>77.29</b>	6
		1 1/4 CC	311-00087211-000	<b>77.29</b>	6
		1 1/2 NPT	311-00087212-000	<b>77.29</b>	6
		1 1/2 CC	311-00087213-000	<b>77.29</b>	6
		2 NPT	311-00087214-000	<b>77.29</b>	6
6-8	7.69-9.05	5/8 CC	311-00090505-000	<b>56.89</b>	5
		3/4 NPT	311-00090506-000	<b>56.89</b>	5
		3/4 CC	311-00090507-000	<b>56.89</b>	5
		1 NPT	311-00090508-000	<b>56.89</b>	5
		1 CC	311-00090509-000	<b>56.89</b>	5
		1 1/4 NPT	311-00090510-000	<b>77.29</b>	6
		1 1/4 CC	311-00090511-000	<b>77.29</b>	6
		1 1/2 NPT	311-00090512-000	<b>77.29</b>	6
		1 1/2 CC	311-00090513-000	<b>77.29</b>	6
		2 NPT	311-00090514-000	<b>77.29</b>	6



## 311 Service Saddles Single Bale, Ductile Iron Body, Electro-Galvanized

Nominal Size Inches	O.D. Range Inches	Tap Size & Type Inches	Catalog Number	List Price	Approx. Weight Lbs.
8-10	8.54-10.10	5/8 CC	311-00101005-000	<b>\$60.26</b>	6
		3/4 NPT	311-00101006-000	<b>60.26</b>	6
		3/4 CC	311-00101007-000	<b>60.26</b>	6
		1 NPT	311-00101008-000	<b>60.26</b>	6
		1 CC	311-00101009-000	<b>60.26</b>	6
		1 1/4 NPT	311-00101010-000	<b>89.31</b>	7
		1 1/4 CC	311-00101011-000	<b>89.31</b>	7
		1 1/2 NPT	311-00101012-000	<b>89.31</b>	7
		1 1/2 CC	311-00101013-000	<b>89.31</b>	7
		2 NPT	311-00101014-000	<b>89.31</b>	7
10-12	10.64-12.12	5/8 CC	311-00121205-000	<b>70.19</b>	6
		3/4 NPT	311-00121206-000	<b>70.19</b>	6
		3/4 CC	311-00121207-000	<b>70.19</b>	6
		1 NPT	311-00121208-000	<b>70.19</b>	6
		1 CC	311-00121209-000	<b>70.19</b>	6
		1 1/4 NPT	311-00121210-000	<b>107.85</b>	6
		1 1/4 CC	311-00121211-000	<b>107.85</b>	6
		1 1/2 NPT	311-00121212-000	<b>107.85</b>	6
		1 1/2 CC	311-00121213-000	<b>107.85</b>	6
		2 NPT	311-00121214-000	<b>107.85</b>	6
12-14	12.62-14.32	5/8 CC	311-00143205-000	<b>75.47</b>	7
		3/4 NPT	311-00143206-000	<b>75.47</b>	7
		3/4 CC	311-00143207-000	<b>75.47</b>	7
		1 NPT	311-00143208-000	<b>75.47</b>	7
		1 CC	311-00143209-000	<b>75.47</b>	7
		1 1/4 NPT	311-00143210-000	<b>109.83</b>	7
		1 1/4 CC	311-00143211-000	<b>109.83</b>	7
		1 1/2 NPT	311-00143212-000	<b>109.83</b>	7
		1 1/2 CC	311-00143213-000	<b>109.83</b>	7
		2 NPT	311-00143214-000	<b>109.83</b>	7



## 313 Service Saddles Double Bale, Ductile Iron Body

Nominal Size Inches	O.D. Range Inches	Tap Size & Type Inches	With Electro-Galvanized Steel Bales		With 304 Stainless Steel Bales		Appr. Wt. Lbs.
			Catalog Number	List Price	Catalog Number	List Price	
1 1/4-1 1/2	1.61-1.92	5/8 CC	313-00019205-000	\$44.48	313-00019205-015	\$129.12	3
		3/4 NPT	313-00019206-000	44.48	313-00019206-015	129.12	3
		3/4 CC	313-00019207-000	44.48	313-00019207-015	129.12	3
		1 NPT	313-00019208-000	44.48	313-00019208-015	129.12	3
		1 CC	313-00019209-000	44.48	313-00019209-015	129.12	3
2	2.35-2.56	5/8 CC	313-00025605-000	44.66	313-00025605-015	131.41	3
		3/4 NPT	313-00025606-000	44.66	313-00025606-015	131.41	3
		3/4 CC	313-00025607-000	44.66	313-00025607-015	131.41	3
		1 NPT	313-00025608-000	44.66	313-00025608-015	131.41	3
		1 CC	313-00025609-000	44.66	313-00025609-015	131.41	3
		1 1/4 NPT	313-00025610-000	46.90	313-00025610-015	136.05	4
		1 1/4 CC	313-00025611-000	46.90	313-00025611-015	136.05	4
2 1/4-2 1/2	2.44-2.91	5/8 CC	313-00029105-000	49.02	313-00029105-015	134.97	4
		3/4 NPT	313-00029106-000	49.02	313-00029106-015	134.97	4
		3/4 CC	313-00029107-000	49.02	313-00029107-015	134.97	4
		1 NPT	313-00029108-000	49.02	313-00029108-015	134.97	4
		1 CC	313-00029109-000	49.02	313-00029109-015	134.97	4
3	2.97-3.54	5/8 CC	313-00035405-000	53.15	313-00035405-015	161.77	4
		3/4 NPT	313-00035406-000	53.15	313-00035406-015	161.77	4
		3/4 CC	313-00035407-000	53.15	313-00035407-015	161.77	4
		1 NPT	313-00035408-000	53.15	313-00035408-015	161.77	4
		1 CC	313-00035409-000	53.15	313-00035409-015	161.77	4
		1 1/4 NPT	313-00035410-000	68.89	313-00035410-015	176.89	5
		1 1/4 CC	313-00035411-000	68.89	313-00035411-015	176.89	5
		1 1/2 NPT	313-00035412-000	68.89	313-00035412-015	176.89	5
		1 1/2 CC	313-00035413-000	68.89	313-00035413-015	176.89	5
3-4	3.74-4.13	2 NPT	313-00035414-000	74.45	313-00035414-015	183.40	5
		5/8 CC	313-00041305-000	55.52	313-00041305-015	195.62	6
		3/4 NPT	313-00041306-000	55.52	313-00041306-015	195.62	6
		3/4 CC	313-00041307-000	55.52	313-00041307-015	195.62	6
		1 NPT	313-00041308-000	55.52	313-00041308-015	195.62	6
		1 CC	313-00041309-000	55.52	313-00041309-015	195.62	6
		1 1/4 NPT	313-00041310-000	71.27	313-00041310-015	216.33	8
		1 1/4 CC	313-00041311-000	71.27	313-00041311-015	216.33	8
		1 1/2 NPT	313-00041312-000	71.27	313-00041312-015	216.33	8
		1 1/2 CC	313-00041313-000	71.27	313-00041313-015	216.33	8
		2 NPT	313-00041314-000	73.32	313-00041314-015	222.10	8
		2 CC	313-00041315-000	73.32	313-00041315-015	222.10	8
2 1/2 NPT	313-00041316-000	73.32	313-00041316-015	222.10	8		



## 313 Service Saddles Double Bale, Ductile Iron Body

Nominal Size Inches	O.D. Range Inches	Tap Size & Type Inches	With Electro-Galvanized Steel Bales		With 304 Stainless Steel Bales		Appr. Wt. Lbs.
			Catalog Number	List Price	Catalog Number	List Price	
4	4.40-4.50	5/8 CC	313-00045005-000	<b>\$58.11</b>	313-00045005-015	<b>\$198.19</b>	8
		3/4 NPT	313-00045006-000	<b>58.11</b>	313-00045006-015	<b>198.19</b>	8
		3/4 CC	313-00045007-000	<b>58.11</b>	313-00045007-015	<b>198.19</b>	8
		1 NPT	313-00045008-000	<b>58.11</b>	313-00045008-015	<b>198.19</b>	8
		1 CC	313-00045009-000	<b>58.11</b>	313-00045009-015	<b>198.19</b>	8
		1 1/4 NPT	313-00045010-000	<b>73.41</b>	313-00045010-015	<b>218.90</b>	8
		1 1/4 CC	313-00045011-000	<b>73.41</b>	313-00045011-015	<b>218.90</b>	8
		1 1/2 NPT	313-00045012-000	<b>73.41</b>	313-00045012-015	<b>218.90</b>	8
		1 1/2 CC	313-00045013-000	<b>73.41</b>	313-00045013-015	<b>218.90</b>	8
		2 NPT	313-00045014-000	<b>75.17</b>	313-00045014-015	<b>224.78</b>	8
		2 CC	313-00045015-000	<b>75.17</b>	313-00045015-015	<b>224.78</b>	8
2 1/2 NPT	313-00045016-000	<b>75.17</b>	313-00045016-015	<b>224.78</b>	8		
4	4.40-4.80	5/8 CC	313-00048005-000	<b>60.31</b>	313-00048005-015	<b>207.27</b>	7
		3/4 NPT	313-00048006-000	<b>60.31</b>	313-00048006-015	<b>207.27</b>	7
		3/4 CC	313-00048007-000	<b>60.31</b>	313-00048007-015	<b>207.27</b>	7
		1 NPT	313-00048008-000	<b>60.31</b>	313-00048008-015	<b>207.27</b>	7
		1 CC	313-00048009-000	<b>60.31</b>	313-00048009-015	<b>207.27</b>	7
		1 1/4 NPT	313-00048010-000	<b>76.29</b>	313-00048010-015	<b>223.13</b>	8
		1 1/4 CC	313-00048011-000	<b>76.29</b>	313-00048011-015	<b>223.13</b>	8
		1 1/2 NPT	313-00048012-000	<b>76.29</b>	313-00048012-015	<b>223.13</b>	8
		1 1/2 CC	313-00048013-000	<b>78.70</b>	313-00048013-015	<b>228.41</b>	8
		2 NPT	313-00048014-000	<b>78.70</b>	313-00048014-015	<b>228.41</b>	8
		2 CC	313-00048015-000	<b>78.70</b>	313-00048015-015	<b>228.41</b>	8
2 1/2 NPT	313-00048016-000	<b>78.70</b>	313-00048016-015	<b>228.41</b>	8		
4-5	4.74-5.14	5/8 CC	313-00051405-000	<b>62.70</b>	313-00051405-015	<b>210.01</b>	8
		3/4 NPT	313-00051406-000	<b>62.70</b>	313-00051406-015	<b>210.01</b>	8
		3/4 CC	313-00051407-000	<b>62.70</b>	313-00051407-015	<b>210.01</b>	8
		1 NPT	313-00051408-000	<b>62.70</b>	313-00051408-015	<b>210.01</b>	8
		1 CC	313-00051409-000	<b>62.70</b>	313-00051409-015	<b>210.01</b>	8
		1 1/4 NPT	313-00051410-000	<b>78.35</b>	313-00051410-015	<b>227.72</b>	8
		1 1/4 CC	313-00051411-000	<b>78.35</b>	313-00051411-015	<b>227.72</b>	8
		1 1/2 NPT	313-00051412-000	<b>78.35</b>	313-00051412-015	<b>227.72</b>	8
		1 1/2 CC	313-00051413-000	<b>81.09</b>	313-00051413-015	<b>230.71</b>	8
		2 NPT	313-00051414-000	<b>81.09</b>	313-00051414-015	<b>230.71</b>	8
		2 CC	313-00051415-000	<b>81.09</b>	313-00051415-015	<b>230.71</b>	8
2 1/2 NPT	313-00051416-000	<b>81.09</b>	313-00051416-015	<b>230.71</b>	8		
4-5	5.00-5.63	5/8 CC	313-00056305-000	<b>62.70</b>	313-00056305-015	<b>210.01</b>	7
		3/4 NPT	313-00056306-000	<b>62.70</b>	313-00056306-015	<b>210.01</b>	7
		3/4 CC	313-00056307-000	<b>62.70</b>	313-00056307-015	<b>210.01</b>	7
		1 NPT	313-00056308-000	<b>62.70</b>	313-00056308-015	<b>210.01</b>	7
		1 CC	313-00056309-000	<b>62.70</b>	313-00056309-015	<b>210.01</b>	7



## 313 Service Saddles Double Bale, Ductile Iron Body

Nominal Size Inches	O.D. Range Inches	Tap Size & Type Inches	With Electro-Galvanized Steel Bales		With 304 Stainless Steel Bales		Appr. Wt. Lbs.
			Catalog Number	List Price	Catalog Number	List Price	
4-5	5.00-5.63	1 1/4 NPT	313-00056310-000	79.67	313-00056310-015	\$227.72	8
		1 1/4 CC	313-00056311-000	79.67	313-00056311-015	227.72	8
		1 1/2 NPT	313-00056312-000	79.67	313-00056312-015	227.72	8
		1 1/2 CC	313-00056313-000	82.22	313-00056313-015	230.71	8
		2 NPT	313-00056314-000	82.22	313-00056314-015	230.71	8
		2 CC	313-00056315-000	82.22	313-00056315-015	230.71	8
		2 1/2 NPT	313-00056316-000	82.22	313-00056316-015	230.71	8
6	5.94-6.70	5/8 CC	313-00066305-000	\$65.71	313-00066305-015	227.72	8
		3/4 NPT	313-00066306-000	65.71	313-00066306-015	227.72	8
		3/4 CC	313-00066307-000	65.71	313-00066307-015	227.72	8
		1 NPT	313-00066308-000	65.71	313-00066308-015	227.72	8
		1 CC	313-00066309-000	65.71	313-00066309-015	227.72	8
		1 1/4 NPT	313-00066310-000	81.73	313-00066310-015	245.53	9
		1 1/4 CC	313-00066311-000	81.73	313-00066311-015	245.53	9
		1 1/2 NPT	313-00066312-000	81.73	313-00066312-015	245.53	9
		1 1/2 CC	313-00066313-000	84.05	313-00066313-015	248.43	9
		2 NPT	313-00066314-000	84.05	313-00066314-015	248.43	9
		2 CC	313-00066315-000	84.05	313-00066315-015	248.43	9
		2 1/2 NPT	313-00066316-000	84.05	313-00066316-015	248.43	9
		3 NPT	313-00066317-000	203.87	313-00066317-015	363.80	10
6	5.94-6.90	5/8 CC	313-00069005-000	65.71	313-00069005-015	227.72	8
		3/4 NPT	313-00069006-000	65.71	313-00069006-015	227.72	8
		3/4 CC	313-00069007-000	65.71	313-00069007-015	227.72	8
		1 NPT	313-00069008-000	65.71	313-00069008-015	227.72	8
		1 CC	313-00069009-000	65.71	313-00069009-015	227.72	8
		1 1/4 NPT	313-00069010-000	81.75	313-00069010-015	247.13	9
		1 1/4 CC	313-00069011-000	81.75	313-00069011-015	247.13	9
		1 1/2 NPT	313-00069012-000	81.75	313-00069012-015	247.13	9
		1 1/2 CC	313-00069013-000	84.07	313-00069013-015	248.43	9
		2 NPT	313-00069014-000	84.07	313-00069014-015	248.43	9
		2 CC	313-00069015-000	84.07	313-00069015-015	248.43	9
2 1/2 NPT	313-00069016-000	84.07	313-00069016-015	248.43	9		
6	6.63-6.96	3 NPT	313-00069017-000	203.88	313-00069017-015	363.80	11



## 313 Service Saddles Double Bale, Ductile Iron Body

Nominal Size Inches	O.D. Range Inches	Tap Size & Type Inches	With Electro-Galvanized Steel Bales		With 304 Stainless Steel Bales		Appr. Wt. Lbs.
			Catalog Number	List Price	Catalog Number	List Price	
6	6.84-7.60	5/8 CC	313-00076005-000	\$77.21	313-00076005-015	\$239.59	8
		3/4 NPT	313-00076006-000	77.21	313-00076006-015	239.59	8
		3/4 CC	313-00076007-000	77.21	313-00076007-015	239.59	8
		1 NPT	313-00076008-000	77.21	313-00076008-015	239.59	8
		1 CC	313-00076009-000	77.21	313-00076009-015	239.59	8
		1 1/4 NPT	313-00076010-000	93.93	313-00076010-015	257.33	8
		1 1/4 CC	313-00076011-000	93.93	313-00076011-015	257.33	8
		1 1/2 NPT	313-00076012-000	93.93	313-00076012-015	257.33	8
		1 1/2 CC	313-00076013-000	95.19	313-00076013-015	260.28	9
		2 NPT	313-00076014-000	95.19	313-00076014-015	260.28	9
		2 CC	313-00076015-000	95.19	313-00076015-015	260.28	9
		2 1/2 NPT	313-00076016-000	95.19	313-00076016-015	260.28	9
		3 NPT	313-00076017-000	249.06	313-00076017-015	411.17	12
4 NPT	313-00076018-000	249.06	313-00076018-015	411.17	13		
6-8	7.69-8.72	5/8 CC	313-00087205-000	\$79.43	313-00087205-015	275.09	9
		3/4 NPT	313-00087206-000	79.43	313-00087206-015	275.09	9
		3/4 CC	313-00087207-000	79.43	313-00087207-015	275.09	9
		1 NPT	313-00087208-000	79.43	313-00087208-015	275.09	9
		1 CC	313-00087209-000	79.43	313-00087209-015	275.09	9
		1 1/4 NPT	313-00087210-000	101.84	313-00087210-015	298.76	11
		1 1/4 CC	313-00087211-000	101.84	313-00087211-015	298.76	11
		1 1/2 NPT	313-00087212-000	101.84	313-00087212-015	298.76	11
		1 1/2 CC	313-00087213-000	102.95	313-00087213-015	301.72	11
		2 NPT	313-00087214-000	102.95	313-00087214-015	301.72	11
8	7.69-9.05	5/8 CC	313-00090505-000	79.43	313-00090505-015	275.09	11
		3/4 NPT	313-00090506-000	79.43	313-00090506-015	275.09	11
		3/4 CC	313-00090507-000	79.43	313-00090507-015	275.09	11
		1 NPT	313-00090508-000	79.43	313-00090508-015	275.09	11
		1 CC	313-00090509-000	79.43	313-00090509-015	275.09	11
		1 1/4 NPT	313-00090510-000	101.84	313-00090510-015	298.76	11
		1 1/4 CC	313-00090511-000	101.84	313-00090511-015	298.76	11
		1 1/2 NPT	313-00090512-000	101.84	313-00090512-015	298.76	11
		1 1/2 CC	313-00090513-000	102.95	313-00090513-015	298.76	11
		2 NPT	313-00090514-000	102.95	313-00090514-015	301.72	11
		2 CC	313-00090515-000	104.92	313-00090515-015	307.13	11



## 313 Service Saddles Double Bale, Ductile Iron Body

Nominal Size Inches	O.D. Range Inches	Tap Size & Type Inches	With Electro-Galvanized Steel Bales		With 304 Stainless Steel Bales		Appr. Wt. Lbs.
			Catalog Number	List Price	Catalog Number	List Price	
8-10	8.54-10.10	5/8 CC	313-00101005-000	<b>\$84.30</b>	313-00101005-015	<b>\$280.98</b>	11
		3/4 NPT	313-00101006-000	<b>84.30</b>	313-00101006-015	<b>280.98</b>	11
		3/4 CC	313-00101007-000	<b>84.30</b>	313-00101007-015	<b>280.98</b>	11
		1 NPT	313-00101008-000	<b>84.30</b>	313-00101008-015	<b>280.98</b>	11
		1 CC	313-00101009-000	<b>84.30</b>	313-00101009-015	<b>280.98</b>	11
		1 1/4 NPT	313-00101010-000	<b>105.16</b>	313-00101010-015	<b>301.72</b>	11
		1 1/4 CC	313-00101011-000	<b>105.16</b>	313-00101011-015	<b>301.72</b>	11
		1 1/2 NPT	313-00101012-000	<b>105.16</b>	313-00101012-015	<b>301.72</b>	11
		1 1/2 CC	313-00101013-000	<b>105.16</b>	313-00101013-015	<b>301.72</b>	11
		2 NPT	313-00101014-000	<b>105.16</b>	313-00101014-015	<b>301.72</b>	11
		2 CC	313-00101015-000	<b>105.16</b>	313-00101015-015	<b>301.72</b>	11
		2 1/2 NPT	313-00101016-000	<b>105.16</b>	313-00101016-015	<b>301.72</b>	11
		3 NPT	313-00101017-000	<b>324.32</b>	313-00101017-015	<b>520.58</b>	15
		4 NPT	313-00101018-000	<b>324.32</b>	313-00101018-015	<b>520.58</b>	15
10	10.75-11.10	5/8 CC	313-00111005-000	<b>108.96</b>	313-00111005-015	<b>319.46</b>	10
		3/4 NPT	313-00111006-000	<b>108.96</b>	313-00111006-015	<b>319.46</b>	10
		3/4 CC	313-00111007-000	<b>108.96</b>	313-00111007-015	<b>319.46</b>	10
		1 NPT	313-00111008-000	<b>108.96</b>	313-00111008-015	<b>319.46</b>	10
		1 CC	313-00111009-000	<b>108.96</b>	313-00111009-015	<b>319.46</b>	10
		1 1/4 NPT	313-00111010-000	<b>138.71</b>	313-00111010-015	<b>354.95</b>	10
		1 1/4 CC	313-00111011-000	<b>138.71</b>	313-00111011-015	<b>354.95</b>	10
		1 1/2 NPT	313-00111012-000	<b>138.71</b>	313-00111012-015	<b>354.95</b>	10
		1 1/2 CC	313-00111013-000	<b>138.71</b>	313-00111013-015	<b>354.95</b>	10
		2 NPT	313-00111014-000	<b>138.71</b>	313-00111014-015	<b>354.95</b>	11
		2 CC	313-00111015-000	<b>138.71</b>	313-00111015-015	<b>354.95</b>	11
		2 1/2 NPT	313-00111016-000	<b>138.71</b>	313-00111016-015	<b>354.95</b>	11
		3 NPT/ 4 NPT	Ask		Not for D.I.		-
10-12	10.64-12.12	5/8 CC	313-00121205-000	<b>108.96</b>	313-00121205-015	<b>319.46</b>	11
		3/4 NPT	313-00121206-000	<b>108.96</b>	313-00121206-015	<b>319.46</b>	11
		3/4 CC	313-00121207-000	<b>108.96</b>	313-00121207-015	<b>319.46</b>	11
		1 NPT	313-00121208-000	<b>108.96</b>	313-00121208-015	<b>319.46</b>	11
		1 CC	313-00121209-000	<b>108.96</b>	313-00121209-015	<b>319.46</b>	11
		1 1/4 NPT	313-00121210-000	<b>138.71</b>	313-00121210-015	<b>354.95</b>	11
		1 1/4 CC	313-00121211-000	<b>138.71</b>	313-00121211-015	<b>354.95</b>	11
		1 1/2 NPT	313-00121212-000	<b>138.71</b>	313-00121212-015	<b>354.95</b>	11
		1 1/2 CC	313-00121213-000	<b>138.71</b>	313-00121213-015	<b>354.95</b>	11
		2 NPT	313-00121214-000	<b>138.71</b>	313-00121214-015	<b>354.95</b>	11
		2 CC	313-00121215-000	<b>138.71</b>	313-00121215-015	<b>354.95</b>	11
2 1/2 NPT	313-00121216-000	<b>138.71</b>	313-00121216-015	<b>354.95</b>	11		
10-12	11.30-12.12	3 NPT	313-00121217-000	<b>388.03</b>	313-00121217-015	<b>597.49</b>	14
		4 NPT	313-00121218-000	<b>388.03</b>	313-00121218-015	<b>597.49</b>	14



## 313 Service Saddles Double Bale, Ductile Iron Body

Nominal Size Inches	O.D. Range Inches	Tap Size & Type Inches	With Electro-Galvanized Steel Bales		With 304 Stainless Steel Bales		Appr. Wt. Lbs.
			Catalog Number	List Price	Catalog Number	List Price	
12	12.75-13.20	5/8 CC	313-00132005-000	\$130.70	313-00132005-015	\$343.14	14
		3/4 NPT	313-00132006-000	130.70	313-00132006-015	343.14	14
		3/4 CC	313-00132007-000	130.70	313-00132007-015	343.14	14
		1 NPT	313-00132008-000	130.70	313-00132008-015	343.14	14
		1 CC	313-00132009-000	130.70	313-00132009-015	343.14	14
		1 1/4 NPT	313-00132010-000	163.20	313-00132010-015	390.47	14
		1 1/4 CC	313-00132011-000	163.20	313-00132011-015	390.47	14
		1 1/2 NPT	313-00132012-000	163.20	313-00132012-015	390.47	14
		1 1/2 CC	313-00132013-000	163.20	313-00132013-015	390.47	14
		2 NPT	313-00132014-000	163.20	313-00132014-015	390.47	14
		2 CC	313-00132015-000	163.20	313-00132013-018	390.47	14
		2 1/2 NPT	313-00132016-000	163.20	313-00132016-015	390.47	14
		3 NPT/ 4 NPT	Ask		Not for D.I.		
12-14	12.62-14.32	5/8 CC	313-00143205-000	130.70	313-00143205-015	343.14	15
		3/4 NPT	313-00143206-000	130.70	313-00143206-015	343.14	15
		3/4 CC	313-00143207-000	130.70	313-00143207-015	343.14	15
		1 NPT	313-00143208-000	130.70	313-00143208-015	343.14	15
		1 CC	313-00143209-000	130.70	313-00143209-015	343.14	15
		1 1/4 NPT	313-00143210-000	162.99	313-00143210-015	390.47	15
		1 1/4 CC	313-00143211-000	162.99	313-00143211-015	390.47	15
		1 1/2 NPT	313-00143212-000	162.99	313-00143212-015	390.47	15
		1 1/2 CC	313-00143213-000	162.99	313-00143213-015	390.47	15
		2 NPT	313-00143214-000	166.28	313-00143214-015	396.30	15
		2 CC	313-00143215-000	166.28	313-00143215-015	396.30	15
		2 1/2 NPT	313-00143216-000	166.28	313-00143216-015	396.30	15
12-14	13.40-14.32	3 NPT	313-00143017-000	460.41	313-00143017-015	683.27	18
		4 NPT	313-00143018-000	460.41	313-00143018-015	683.27	18
12-14	14.73-15.65	5/8 CC	313-00156505-000	187.91	313-00156505-015	402.27	18
		3/4 NPT	313-00156506-000	187.91	313-00156506-015	402.27	18
		3/4 CC	313-00156507-000	187.91	313-00156507-015	402.27	18
		1 NPT	313-00156508-000	187.91	313-00156508-015	402.27	18
		1 CC	313-00156509-000	187.91	313-00156509-015	402.27	18
		1 1/4 NPT	313-00156510-000	221.74	313-00156510-015	449.60	18
		1 1/4 CC	313-00156511-000	221.74	313-00156511-015	449.60	18
		1 1/2 NPT	313-00156512-000	221.74	313-00156512-015	449.60	18
		1 1/2 CC	313-00156513-000	221.74	313-00156513-015	449.60	18
		2 NPT	313-00156514-000	241.67	313-00156514-015	455.50	18
		2 CC	313-00156515-000	241.67	313-00156515-015	455.50	18
		2 1/2 NPT	313-00156516-000	241.67	313-00156516-015	455.50	18
				3 NPT	313-00156517-000	637.07	313-00156517-015
		4 NPT	313-00156518-000	637.07	313-00156518-015	739.45	27



## 313 Service Saddles Double Bale, Ductile Iron Body

Nominal Size Inches	O.D. Range Inches	Tap Size & Type Inches	With Electro-Galvanized Steel Bales		With 304 Stainless Steel Bales		Appr. Wt. Lbs.
			Catalog Number	List Price	Catalog Number	List Price	
14-16	15.98-16.59	3 NPT	313-00165917-000	<b>\$699.34</b>	313-00165917-015	<b>\$829.22</b>	29
		4 NPT	313-00165918-000	<b>699.34</b>	313-00165918-015	<b>829.22</b>	29
14-16	15.95-17.25	5/8 CC	313-00172505-000	<b>191.03</b>	313-00172505-015	<b>472.08</b>	19
		3/4 NPT	313-00172506-000	<b>191.03</b>	313-00172506-015	<b>472.08</b>	19
		3/4 CC	313-00172507-000	<b>191.03</b>	313-00172507-015	<b>472.08</b>	19
		1 NPT	313-00172508-000	<b>191.03</b>	313-00172508-015	<b>472.08</b>	19
		1 CC	313-00172509-000	<b>191.03</b>	313-00172509-015	<b>472.08</b>	19
		1 1/4 NPT	313-00172510-000	<b>250.91</b>	313-00172510-015	<b>521.76</b>	19
		1 1/4 CC	313-00172511-000	<b>250.91</b>	313-00172511-015	<b>521.76</b>	19
		1 1/2 NPT	313-00172512-000	<b>250.91</b>	313-00172512-015	<b>521.76</b>	19
		1 1/2 CC	313-00172513-000	<b>250.91</b>	313-00172513-015	<b>521.76</b>	19
		2 NPT	313-00172514-000	<b>261.93</b>	313-00172514-015	<b>527.99</b>	19
		2 CC	313-00172515-000	<b>261.93</b>	313-00172515-015	<b>527.99</b>	19
		2 1/2 NPT	313-00172516-000	<b>261.93</b>	313-00172516-015	<b>527.99</b>	19
16-18	17.40-18.88	5/8 CC	313-00188805-000	<b>210.11</b>	313-00188805-015	<b>503.09</b>	20
		3/4 NPT	313-00188806-000	<b>210.11</b>	313-00188806-015	<b>503.09</b>	20
		3/4 CC	313-00188807-000	<b>210.11</b>	313-00188807-015	<b>503.09</b>	20
		1 NPT	313-00188808-000	<b>210.11</b>	313-00188808-015	<b>503.09</b>	20
		1 CC	313-00188809-000	<b>210.11</b>	313-00188809-015	<b>503.09</b>	20
		1 1/4 NPT	313-00188810-000	<b>290.51</b>	313-00188810-015	<b>599.40</b>	20
		1 1/4 CC	313-00188811-000	<b>290.51</b>	313-00188811-015	<b>599.40</b>	20
		1 1/2 NPT	313-00188812-000	<b>290.51</b>	313-00188812-015	<b>599.40</b>	20
		1 1/2 CC	313-00188813-000	<b>290.51</b>	313-00188813-015	<b>599.40</b>	20
		2 NPT	313-00188814-000	<b>301.80</b>	313-00188814-015	<b>605.64</b>	20
2 CC	313-00188815-000	<b>301.80</b>	313-00188815-015	<b>605.64</b>	20		
2 1/2 NPT	313-00188816-000	<b>301.80</b>	313-00188816-015	<b>605.64</b>	20		
16-18	17.81-18.88	3 NPT	313-00188817-000	<b>760.15</b>	313-00188817-015	<b>947.22</b>	30
		4 NPT	313-00188818-000	<b>760.15</b>	313-00188818-015	<b>947.22</b>	30



## 313 Service Saddle Double Bale, Ductile Iron Body

Nominal Size Inches	O.D. Range Inches	Tap Size & Type Inches	With Epoxy-Coated Carbon Steel Bales		Appr. Wt. Lbs.
			Catalog Number	List Price	
*18	19.38-19.68	5/8 CC	313-00195005-000	<b>\$246.16</b>	20
		3/4 NPT	313-00195006-000	<b>246.16</b>	20
		3/4 CC	313-00195007-000	<b>246.16</b>	20
		1 NPT	313-00195008-000	<b>246.16</b>	20
		1 CC	313-00195009-000	<b>246.16</b>	20
		1 1/4 NPT	313-00195010-000	<b>326.81</b>	20
		1 1/4 CC	313-00195011-000	<b>326.81</b>	20
		1 1/2 NPT	313-00195012-000	<b>326.81</b>	20
		1 1/2 CC	313-00195013-000	<b>326.81</b>	20
		2 NPT	313-00195014-000	<b>326.81</b>	20
		2 CC	313-00195015-000	<b>326.81</b>	20
		2 1/2 NPT	313-00195016-000	<b>326.81</b>	20
*20	21.55-21.65	5/8 CC	313-00216005-000	<b>318.34</b>	20
		3/4 NPT	313-00216006-000	<b>318.34</b>	20
		3/4 CC	313-00216007-000	<b>318.34</b>	20
		1 NPT	313-00216008-000	<b>318.34</b>	20
		1 CC	313-00216009-000	<b>318.34</b>	20
		1 1/4 NPT	313-00216010-000	<b>365.14</b>	20
		1 1/4 CC	313-00216011-000	<b>365.14</b>	20
		1 1/2 NPT	313-00216012-000	<b>365.14</b>	20
		1 1/2 CC	313-00216013-000	<b>365.14</b>	20
		2 NPT	313-00216014-000	<b>365.14</b>	20
		2 CC	313-00216015-000	<b>365.14</b>	20
		2 1/2 NPT	313-00216016-000	<b>365.14</b>	20
*24	25.75-25.85	5/8 CC	313-00258005-000	<b>335.31</b>	20
		3/4 NPT	313-00258006-000	<b>335.31</b>	20
		3/4 CC	313-00258007-000	<b>335.31</b>	20
		1 NPT	313-00258008-000	<b>335.31</b>	20
		1 CC	313-00258009-000	<b>335.31</b>	20
		1 1/4 NPT	313-00258010-000	<b>401.65</b>	20
		1 1/4 CC	313-00258011-000	<b>401.65</b>	20
		1 1/2 NPT	313-00258012-000	<b>401.65</b>	20
		1 1/2 CC	313-00258013-000	<b>401.65</b>	20
		2 NPT	313-00258014-000	<b>401.65</b>	20
		2 CC	313-00258015-000	<b>401.65</b>	20
		2 1/2 NPT	313-00258016-000	<b>401.65</b>	20



## 315 Service Saddle Single Strap, Ductile Iron Body, 304 Stainless Steel Strap

Nominal Size Inches	O.D. Range Inches	Tap Size & Type Inches	Catalog Number	List Price	Approx. Weight lbs.
1	1.31-1.39	5/8 CC	315-00013905-000	<b>\$72.90</b>	1
		3/4 NPT	315-00013906-000	<b>72.90</b>	1
		3/4 CC	315-00013907-000	<b>72.90</b>	1
1 1/4-1 1/2	1.61-1.92	5/8 CC	315-00019205-000	<b>73.46</b>	1
		3/4 NPT	315-00019206-000	<b>73.46</b>	1
		3/4 CC	315-00019207-000	<b>73.46</b>	1
		1 NPT	315-00019208-000	<b>73.46</b>	1
		1 CC	315-00019209-000	<b>73.46</b>	1
2	2.13	5/8 CC	315-00021305-000	<b>75.25</b>	2
		3/4 NPT	315-00021306-000	<b>75.25</b>	2
		3/4 CC	315-00021307-000	<b>75.25</b>	2
		1 NPT	315-00021308-000	<b>75.25</b>	2
		1 CC	315-00021309-000	<b>75.25</b>	2
2	2.38	5/8 CC	315-00023805-000	<b>75.25</b>	2
		3/4 NPT	315-00023806-000	<b>75.25</b>	2
		3/4 CC	315-00023807-000	<b>75.25</b>	2
		1 NPT	315-00023808-000	<b>75.25</b>	2
		1 CC	315-00023809-000	<b>75.25</b>	2
2	2.35-2.56	5/8 CC	315-00025605-000	<b>75.25</b>	3
		3/4 NPT	315-00025606-000	<b>75.25</b>	3
		3/4 CC	315-00025607-000	<b>75.25</b>	3
		1 NPT	315-00025608-000	<b>75.25</b>	3
		1 CC	315-00025609-000	<b>75.25</b>	3
		1 1/4 NPT	315-00025610-000	<b>88.24</b>	3
		1 1/4 CC	315-00025611-000	<b>88.24</b>	3
		1 1/2 NPT	315-00025612-000	<b>88.24</b>	3
2 1/4-2 1/2	2.44-2.91	5/8 CC	315-00029105-000	<b>\$76.77</b>	3
		3/4 NPT	315-00029106-000	<b>76.77</b>	3
		3/4 CC	315-00029107-000	<b>76.77</b>	3
		1 NPT	315-00029108-000	<b>76.77</b>	3
		1 CC	315-00029109-000	<b>76.77</b>	3
		1 1/4 NPT	315-00029110-000	<b>90.58</b>	3
		1 1/4 CC	315-00029111-000	<b>90.58</b>	3
1 1/2 NPT	315-00029112-000	<b>90.58</b>	3		



### 315 Service Saddle Single Strap, Ductile Iron Body, 304 Stainless Steel Strap

Nominal Size Inches	O.D. Range Inches	Tap Size & Type Inches	Catalog Number	List Price	Approx. Weight lbs.
3	2.97-3.54	5/8 CC	315-00035405-000	<b>\$78.28</b>	3
		3/4 NPT	315-00035406-000	<b>78.28</b>	3
		3/4 CC	315-00035407-000	<b>78.28</b>	3
		1 NPT	315-00035408-000	<b>78.28</b>	3
		1 CC	315-00035409-000	<b>78.28</b>	3
		1 1/4 NPT	315-00035410-000	<b>92.07</b>	3
		1 1/4 CC	315-00035411-000	<b>92.07</b>	3
		1 1/2 NPT	315-00035412-000	<b>92.07</b>	3
3-4	4.40-4.50	5/8 CC	315-00045005-000	<b>\$74.24</b>	3
		3/4 NPT	315-00045006-000	<b>74.24</b>	3
		3/4 CC	315-00045007-000	<b>74.24</b>	3
		1 NPT	315-00045008-000	<b>74.24</b>	3
		1 CC	315-00045009-000	<b>74.24</b>	3
		1 1/4 NPT	315-00045010-000	<b>93.40</b>	5
		1 1/4 CC	315-00045011-000	<b>93.40</b>	5
		1 1/2 NPT	315-00045012-000	<b>93.40</b>	5
		1 1/2 CC	315-00045013-000	<b>93.40</b>	5
2 NPT	315-00045014-000	<b>93.40</b>	5		
4	4.40-4.80	5/8 CC	315-00048005-000	<b>75.10</b>	5
		3/4 NPT	315-00048006-000	<b>75.10</b>	5
		3/4 CC	315-00048007-000	<b>75.10</b>	5
		1 NPT	315-00048008-000	<b>75.10</b>	5
		1 CC	315-00048009-000	<b>75.10</b>	5
		1 1/4 NPT	315-00048010-000	<b>94.09</b>	5
		1 1/4 CC	315-00048011-000	<b>94.09</b>	5
		1 1/2 NPT	315-00048012-000	<b>94.09</b>	5
		1 1/2 CC	315-00048013-000	<b>94.09</b>	5
		2 NPT	315-00048014-000	<b>94.09</b>	5
4-5	4.74-5.63	5/8 CC	315-00056305-000	<b>75.95</b>	4
		3/4 NPT	315-00056306-000	<b>75.95</b>	4
		3/4 CC	315-00056307-000	<b>75.95</b>	4
		1 NPT	315-00056308-000	<b>75.95</b>	4
		1 CC	315-00056309-000	<b>75.95</b>	4
		1 1/4 NPT	315-00056310-000	<b>94.79</b>	5
		1 1/4 CC	315-00056311-000	<b>94.79</b>	5
		1 1/2 NPT	315-00056312-000	<b>94.79</b>	5
		1 1/2 CC	315-00056313-000	<b>94.79</b>	5
		2 NPT	315-00056314-000	<b>94.79</b>	5



## 315 Service Saddle Single Strap, Ductile Iron Body, 304 Stainless Steel Strap

Nominal Size Inches	O.D. Range Inches	Tap Size & Type Inches	Catalog Number	List Price	Approx. Weight lbs.
5-6	5.94-6.70	5/8 CC	315-00066305-000	<b>\$86.96</b>	4
		3/4 NPT	315-00066306-000	<b>86.96</b>	4
		3/4 CC	315-00066307-000	<b>86.96</b>	4
		1 NPT	315-00066308-000	<b>86.96</b>	4
		1 CC	315-00066309-000	<b>86.96</b>	4
		1 1/4 NPT	315-00066310-000	<b>102.18</b>	5
		1 1/4 CC	315-00066311-000	<b>102.18</b>	5
		1 1/2 NPT	315-00066312-000	<b>102.18</b>	5
		1 1/2 CC	315-00066313-000	<b>102.18</b>	5
		2 NPT	315-00066314-000	<b>102.18</b>	5
5-6	5.94-6.90	5/8 CC	315-00069005-000	<b>86.96</b>	5
		3/4 NPT	315-00069006-000	<b>86.96</b>	5
		3/4 CC	315-00069007-000	<b>86.96</b>	5
		1 NPT	315-00069008-000	<b>86.96</b>	5
		1 CC	315-00069009-000	<b>86.96</b>	5
		1 1/4 NPT	315-00069010-000	<b>102.18</b>	5
		1 1/4 CC	315-00069011-000	<b>102.18</b>	5
		1 1/2 NPT	315-00069012-000	<b>102.18</b>	5
		1 1/2 CC	315-00069013-000	<b>102.18</b>	5
		2 NPT	315-00069014-000	<b>102.18</b>	5
6	6.84-7.60	5/8 CC	315-00076005-000	<b>88.35</b>	5
		3/4 NPT	315-00076006-000	<b>88.35</b>	5
		3/4 CC	315-00076007-000	<b>88.35</b>	5
		1 NPT	315-00076008-000	<b>88.35</b>	5
		1 CC	315-00076009-000	<b>88.35</b>	5
		1 1/4 NPT	315-00076010-000	<b>103.54</b>	6
		1 1/4 CC	315-00076011-000	<b>103.54</b>	6
		1 1/2 NPT	315-00076012-000	<b>103.54</b>	6
		1 1/2 CC	315-00076013-000	<b>103.54</b>	6
2 NPT	315-00076014-000	<b>103.54</b>	6		



### 315 Service Saddle Single Strap, Ductile Iron Body, 304 Stainless Steel Strap

Nominal Size Inches	O.D. Range Inches	Tap Size & Type Inches	Catalog Number	List Price	Approx. Weight lbs.
6-8	7.69-8.72	5/8 CC	315-00087205-000	<b>\$103.18</b>	5
		3/4 NPT	315-00087206-000	<b>103.18</b>	5
		3/4 CC	315-00087207-000	<b>103.18</b>	5
		1 NPT	315-00087208-000	<b>103.18</b>	5
		1 CC	315-00087209-000	<b>103.18</b>	5
		1 1/4 NPT	315-00087210-000	<b>123.24</b>	6
		1 1/4 CC	315-00087211-000	<b>123.24</b>	6
		1 1/2 NPT	315-00087212-000	<b>123.24</b>	6
		1 1/2 CC	315-00087213-000	<b>123.24</b>	6
		2 NPT	315-00087214-000	<b>123.24</b>	6
6-8	7.69-9.05	5/8 CC	315-00090505-000	<b>103.18</b>	6
		3/4 NPT	315-00090506-000	<b>103.18</b>	6
		3/4 CC	315-00090507-000	<b>103.18</b>	6
		1 NPT	315-00090508-000	<b>103.18</b>	6
		1 CC	315-00090509-000	<b>103.18</b>	6
		1 1/4 NPT	315-00090510-000	<b>123.24</b>	6
		1 1/4 CC	315-00090511-000	<b>123.24</b>	6
		1 1/2 NPT	315-00090512-000	<b>123.24</b>	6
		1 1/2 CC	315-00090513-000	<b>123.24</b>	6
		2 NPT	315-00090514-000	<b>123.24</b>	6



## 315 Service Saddle Single Strap, Ductile Iron Body, 304 Stainless Steel Strap

Nominal Size Inches	O.D. Range Inches	Tap Size & Type Inches	Catalog Number	List Price	Approx. Weight lbs.
8-10	8.54-10.10	5/8 CC	315-00101005-000	<b>\$104.90</b>	5
		3/4 NPT	315-00101006-000	<b>104.90</b>	5
		3/4 CC	315-00101007-000	<b>104.90</b>	5
		1 NPT	315-00101008-000	<b>104.90</b>	5
		1 CC	315-00101009-000	<b>104.90</b>	5
		1 1/4 NPT	315-00101010-000	<b>124.66</b>	6
		1 1/4 CC	315-00101011-000	<b>124.66</b>	6
		1 1/2 NPT	315-00101012-000	<b>124.66</b>	6
		1 1/2 CC	315-00101013-000	<b>124.66</b>	6
		2 NPT	315-00101014-000	<b>124.66</b>	6
10-12	10.64-12.12	5/8 CC	315-00121205-000	<b>114.60</b>	6
		3/4 NPT	315-00121206-000	<b>114.60</b>	6
		3/4 CC	315-00121207-000	<b>114.60</b>	6
		1 NPT	315-00121208-000	<b>114.60</b>	6
		1 CC	315-00121209-000	<b>114.60</b>	6
		1 1/4 NPT	315-00121210-000	<b>140.00</b>	6
		1 1/4 CC	315-00121211-000	<b>140.00</b>	6
		1 1/2 NPT	315-00121212-000	<b>140.00</b>	6
		1 1/2 CC	315-00121213-000	<b>140.00</b>	6
		2 NPT	315-00121214-000	<b>140.00</b>	6
12	12.75-13.20	5/8 CC	315-00132005-000	<b>132.56</b>	7
		3/4 NPT	315-00132006-000	<b>132.56</b>	7
		3/4 CC	315-00132007-000	<b>132.56</b>	7
		1 NPT	315-00132008-000	<b>132.56</b>	7
		1 CC	315-00132009-000	<b>132.56</b>	7
		1 1/4 NPT	315-00132010-000	<b>162.74</b>	7
		1 1/4 CC	315-00132011-000	<b>162.74</b>	7
		1 1/2 NPT	315-00132012-000	<b>162.74</b>	7
		1 1/2 CC	315-00132013-000	<b>162.74</b>	7
2 NPT	315-00132014-000	<b>167.07</b>	7		



## 315 Service Saddle Single Strap, Ductile Iron Body, 304 Stainless Steel Strap

Nominal Size Inches	O.D. Range Inches	Tap Size & Type Inches	Catalog Number	List Price	Approx. Weight lbs.
10-12	10.64-12.12	5/8 CC	315-00121205-000	<b>\$114.60</b>	6
		3/4 NPT	315-00121206-000	<b>114.60</b>	6
		3/4 CC	315-00121207-000	<b>114.60</b>	6
		1 NPT	315-00121208-000	<b>114.60</b>	6
		1 CC	315-00121209-000	<b>114.60</b>	6
		1 1/4 NPT	315-00121210-000	<b>140.00</b>	6
		1 1/4 CC	315-00121211-000	<b>140.00</b>	6
		1 1/2 NPT	315-00121212-000	<b>140.00</b>	6
		1 1/2 CC	315-00121213-000	<b>140.00</b>	6
		2 NPT	315-00121214-000	<b>140.00</b>	6
12	12.75-13.20	5/8 CC	315-00132005-000	<b>132.56</b>	7
		3/4 NPT	315-00132006-000	<b>132.56</b>	7
		3/4 CC	315-00132007-000	<b>132.56</b>	7
		1 NPT	315-00132008-000	<b>132.56</b>	7
		1 CC	315-00132009-000	<b>132.56</b>	7
		1 1/4 NPT	315-00132010-000	<b>162.74</b>	7
		1 1/4 CC	315-00132011-000	<b>162.74</b>	7
		1 1/2 NPT	315-00132012-000	<b>162.74</b>	7
		1 1/2 CC	315-00132013-000	<b>162.74</b>	7
		2 NPT	315-00132014-000	<b>167.07</b>	7
12-14	12.62-14.32	5/8 CC	315-00143205-000	<b>132.56</b>	7
		3/4 NPT	315-00143206-000	<b>132.56</b>	7
		3/4 CC	315-00143207-000	<b>132.56</b>	7
		1 NPT	315-00143208-000	<b>132.56</b>	7
		1 CC	315-00143209-000	<b>132.56</b>	7
		1 1/4 NPT	315-00143210-000	<b>162.74</b>	8
		1 1/4 CC	315-00143211-000	<b>162.74</b>	8
		1 1/2 NPT	315-00143212-000	<b>162.74</b>	8
		1 1/2 CC	315-00143213-000	<b>162.74</b>	8
		2 NPT	315-00143214-000	<b>167.07</b>	8



## 317 Service Saddles Double Straps, Ductile Iron Body with 304 Stainless Steel Straps

Nominal Size Inches	O.D. Range Inches	Tap Size & Type Inches*	Catalog Number	List Price	Approx. Weight lbs.
1 1/4 - 1 1/2	1.61 - 1.92	5/8 CC	317-00019205-000	131.47	6
		3/4 NPT	317-00019206-000	131.47	6
		3/4 CC	317-00019207-000	131.47	6
		1 NPT	317-00019208-000	131.47	6
		1 CC	317-00019209-000	131.47	6
2	2.35 - 2.56	5/8 CC	317-00025605-000	133.60	6
		3/4 NPT	317-00025606-000	133.60	6
		3/4 CC	317-00025607-000	133.60	6
		1 NPT	317-00025608-000	133.60	6
		1 CC	317-00025609-000	133.60	6
		1 1/4 NPT	317-00025610-000	141.11	6
		1 1/4 CC	317-00025611-000	141.11	6
		1 1/2 NPT	317-00025612-000	141.11	6
2 1/4 - 2 1/2	2.44-2.91	5/8 CC	317-00029105-000	134.18	6
		3/4 NPT	317-00029106-000	134.18	6
		3/4 CC	317-00029107-000	134.18	6
		1 NPT	317-00029108-000	134.18	6
		1 CC	317-00029109-000	134.18	6
3	2.97-3.54	5/8 CC	317-00035405-000	135.30	6
		3/4 NPT	317-00035406-000	135.30	6
		3/4 CC	317-00035407-000	135.30	6
		1 NPT	317-00035408-000	135.30	6
		1 CC	317-00035409-000	135.30	6
		1 1/4 NPT	317-00035410-000	146.09	6
		1 1/4 CC	317-00035411-000	146.09	6
		1 1/2 NPT	317-00035412-000	146.09	6
		1 1/2 CC	317-00035413-000	146.09	6
3-4	3.71-4.13	2 NPT	317-00035414-000	146.09	6
		5/8 CC	317-00041305-000	128.37	6
		3/4 NPT	317-00041306-000	128.37	6
		3/4 CC	317-00041307-000	128.37	6
		1 NPT	317-00041308-000	128.37	6
		1 CC	317-00041309-000	128.37	6
		1 1/4 NPT	317-00041310-000	139.76	6
		1 1/4 CC	317-00041311-000	139.76	6
		1 1/2 NPT	317-00041312-000	139.76	6
		1 1/2 CC	317-00041313-000	139.76	6
		2 NPT	317-00041314-000	151.90	6
		2 CC	317-00041315-000	151.90	6
2 1/2 NPT	317-00041316-000	151.90	6		



## 317 Service Saddles Double Straps, Ductile Iron Body with 304 Stainless Steel Straps

Nominal Size Inches	O.D. Range Inches	Tap Size & Type Inches*	Catalog Number	List Price	Approx. Weight lbs.
4	4.40-4.50	5/8 CC	317-00045005-000	<b>\$128.37</b>	7
		3/4 NPT	317-00045006-000	<b>128.37</b>	7
		3/4 CC	317-00045007-000	<b>128.37</b>	7
		1 NPT	317-00045008-000	<b>128.37</b>	7
		1 CC	317-00045009-000	<b>128.37</b>	7
		1 1/4 NPT	317-00045010-000	<b>139.76</b>	8
		1 1/4 CC	317-00045011-000	<b>139.76</b>	8
		1 1/2 NPT	317-00045012-000	<b>139.76</b>	8
		1 1/2 CC	317-00045013-000	<b>139.76</b>	8
		2 NPT	317-00045014-000	<b>151.90</b>	8
		2 CC	317-00045015-000	<b>151.90</b>	8
		2 1/2 NPT	317-00045016-000	<b>151.90</b>	8
4	4.40-4.80	5/8 CC	317-00048005-000	<b>128.373</b>	7
		3/4 NPT	317-00048006-000	<b>128.37</b>	7
		3/4 CC	317-00048007-000	<b>128.37</b>	7
		1 NPT	317-00048008-000	<b>128.37</b>	7
		1 CC	317-00048009-000	<b>128.37</b>	7
		1 1/4 NPT	317-00048010-000	<b>139.76</b>	9
		1 1/4 CC	317-00048011-000	<b>139.76</b>	9
		1 1/2 NPT	317-00048012-000	<b>139.76</b>	9
		1 1/2 CC	317-00048013-000	<b>139.76</b>	9
		2 NPT	317-00048014-000	<b>154.62</b>	9
		2 CC	317-00048015-000	<b>154.62</b>	9
		2 1/2 NPT	317-00048016-000	<b>154.62</b>	9
4-5	4.74-5.14	5/8 CC	317-00051405-000	<b>128.37</b>	8
		3/4 NPT	317-00051406-000	<b>128.37</b>	8
		3/4 CC	317-00051407-000	<b>128.37</b>	8
		1 NPT	317-00051408-000	<b>128.37</b>	8
		1 CC	317-00051409-000	<b>128.37</b>	8
		1 1/4 NPT	317-00051410-000	<b>139.76</b>	8
		1 1/4 CC	317-00051411-000	<b>139.76</b>	8
		1 1/2 NPT	317-00051412-000	<b>139.76</b>	8
		1 1/2 CC	317-00051413-000	<b>139.76</b>	8
		2 NPT	317-00051414-000	<b>154.62</b>	9
		2 CC	317-00051415-000	<b>154.62</b>	9
		2 1/2 NPT	317-00051416-000	<b>154.62</b>	9



## 317 Service Saddles Double Straps, Ductile Iron Body with 304 Stainless Steel Straps

Nominal Size Inches	O.D. Range Inches	Tap Size & Type Inches*	Catalog Number	List Price	Approx. Weight lbs.
4-5	5.00-5.63	5/8 CC	317-00056305-000	<b>\$128.37</b>	8
		3/4 NPT	317-00056306-000	<b>128.37</b>	8
		3/4 CC	317-00056307-000	<b>128.37</b>	8
		1 NPT	317-00056308-000	<b>128.37</b>	8
		1 CC	317-00056309-000	<b>128.37</b>	8
		1 1/4 NPT	317-00056310-000	<b>139.76</b>	9
		1 1/4 CC	317-00056311-000	<b>139.76</b>	9
		1 1/2 NPT	317-00056312-000	<b>139.76</b>	9
		1 1/2 CC	317-00056313-000	<b>139.76</b>	9
		2 NPT	317-00056314-000	<b>154.62</b>	9
		2 CC	317-00056315-000	<b>154.62</b>	9
		2 1/2 NPT	317-00056316-000	<b>154.62</b>	9
6	5.94-6.70	5/8 CC	317-00066305-000	<b>147.49</b>	9
		3/4 NPT	317-00066306-000	<b>147.49</b>	9
		3/4 CC	317-00066307-000	<b>147.49</b>	9
		1 NPT	317-00066308-000	<b>147.49</b>	9
		1 CC	317-00066309-000	<b>147.49</b>	9
		1 1/4 NPT	317-00066310-000	<b>160.18</b>	9
		1 1/4 CC	317-00066311-000	<b>160.18</b>	9
		1 1/2 NPT	317-00066312-000	<b>160.18</b>	9
		1 1/2 CC	317-00066313-000	<b>160.18</b>	9
		2 NPT	317-00066314-000	<b>174.00</b>	9
		2 CC	317-00066315-000	<b>174.00</b>	9
		2 1/2 NPT	317-00066316-000	<b>174.00</b>	9
6	5.94-6.90	5/8 CC	317-00069005-000	<b>147.50</b>	8
		3/4 NPT	317-00069006-000	<b>147.50</b>	8
		3/4 CC	317-00069007-000	<b>147.50</b>	8
		1 NPT	317-00069008-000	<b>147.50</b>	8
		1 CC	317-00069009-000	<b>147.50</b>	8
		1 1/4 NPT	317-00069010-000	<b>160.20</b>	9
		1 1/4 CC	317-00069011-000	<b>160.20</b>	9
		1 1/2 NPT	317-00069012-000	<b>160.20</b>	9
		1 1/2 CC	317-00069013-000	<b>160.20</b>	9
		2 NPT	317-00069014-000	<b>174.00</b>	9
		2 CC	317-00069015-000	<b>174.00</b>	9
		2 1/2 NPT	317-00069016-000	<b>174.00</b>	9
	6.63-6.96	3 NPT	317-00069017-000	<b>282.49</b>	11



## 317 Service Saddles Double Straps, Ductile Iron Body with 304 Stainless Steel Straps

Nominal Size Inches	O.D. Range Inches	Tap Size & Type Inches*	Catalog Number	List Price	Approx. Weight lbs.
6	6.84-7.60	5/8 CC	317-00076005-000	<b>\$147.50</b>	8
		3/4 NPT	317-00076006-000	<b>147.50</b>	8
		3/4 CC	317-00076007-000	<b>147.50</b>	8
		1 NPT	317-00076008-000	<b>147.50</b>	8
		1 CC	317-00076009-000	<b>147.50</b>	8
		1 1/4 NPT	317-00076010-000	<b>160.20</b>	8
		1 1/4 CC	317-00076011-000	<b>160.20</b>	8
		1 1/2 NPT	317-00076012-000	<b>160.20</b>	8
		1 1/2 CC	317-00076013-000	<b>160.20</b>	8
		2 NPT	317-00076014-000	<b>176.78</b>	9
		2 CC	317-00076015-000	<b>176.78</b>	9
		2 1/2 NPT	317-00076016-000	<b>176.78</b>	9
		3 NPT	317-00076017-000	<b>370.01</b>	13
		4 NPT	317-00076018-000	<b>370.01</b>	13
6-8	7.69-8.72	5/8 CC	317-00087205-000	<b>171.50</b>	8
		3/4 NPT	317-00087206-000	<b>171.50</b>	8
		3/4 CC	317-00087207-000	<b>171.50</b>	8
		1 NPT	317-00087208-000	<b>171.50</b>	8
		1 CC	317-00087209-000	<b>171.50</b>	8
		1 1/4 NPT	317-00087210-000	<b>182.82</b>	11
		1 1/4 CC	317-00087211-000	<b>182.82</b>	11
		1 1/2 NPT	317-00087212-000	<b>182.82</b>	11
		1 1/2 CC	317-00087213-000	<b>182.82</b>	11
		2 NPT	317-00087214-000	<b>198.85</b>	11
6-8	7.69-9.05	5/8 CC	317-00090505-000	<b>171.50</b>	9
		3/4 NPT	317-00090506-000	<b>171.50</b>	9
		3/4 CC	317-00090507-000	<b>171.50</b>	9
		1 NPT	317-00090508-000	<b>171.50</b>	9
		1 CC	317-00090509-000	<b>171.50</b>	9
		1 1/4 NPT	317-00090510-000	<b>182.82</b>	11
		1 1/4 CC	317-00090511-000	<b>182.82</b>	11
		1 1/2 NPT	317-00090512-000	<b>182.82</b>	11
		1 1/2 CC	317-00090513-000	<b>182.82</b>	11
		2 NPT	317-00090514-000	<b>198.85</b>	11
2 CC	317-00090515-000	<b>198.85</b>	11		



## 317 Service Saddles Double Straps, Ductile Iron Body with 304 Stainless Steel Straps

Nominal Size Inches	O.D. Range Inches	Tap Size & Type Inches*	Catalog Number	List Price	Approx. Weight lbs.	Ctn. Qty.
8-10	8.54-10.10	5/8 CC	317-00101005-000	<b>\$174.27</b>	9	4
		3/4 NPT	317-00101006-000	<b>174.27</b>	9	4
		3/4 CC	317-00101007-000	<b>174.27</b>	9	4
		1 NPT	317-00101008-000	<b>174.27</b>	9	4
		1 CC	317-00101009-000	<b>174.27</b>	9	4
		1 1/4 NPT	317-00101010-000	<b>188.59</b>	9	4
		1 1/4 CC	317-00101011-000	<b>188.59</b>	9	4
		1 1/2 NPT	317-00101012-000	<b>188.59</b>	9	4
		1 1/2 CC	317-00101013-000	<b>188.59</b>	9	4
		2 NPT	317-00101014-000	<b>205.76</b>	11	4
		2 CC	317-00101015-000	<b>205.76</b>	11	4
		2 1/2 NPT	317-00101016-000	<b>205.76</b>	11	3
		3 NPT	317-00101017-000	<b>472.24</b>	15	3
		4 NPT	317-00101018-000	<b>472.24</b>	15	3
10	10.75-11.10	5/8 CC	317-00111005-000	<b>207.13</b>	10	4
		3/4 NPT	317-00111006-000	<b>207.13</b>	10	4
		3/4 CC	317-00111007-000	<b>207.13</b>	10	4
		1 NPT	317-00111008-000	<b>207.13</b>	10	4
		1 CC	317-00111009-000	<b>207.13</b>	10	4
		1 1/4 NPT	317-00111010-000	<b>222.83</b>	11	4
		1 1/4 CC	317-00111011-000	<b>222.83</b>	11	4
		1 1/2 NPT	317-00111012-000	<b>222.83</b>	11	4
		1 1/2 CC	317-00111013-000	<b>222.83</b>	11	4
		2 NPT	317-00111014-000	<b>240.27</b>	11	4
		2 CC	317-00111015-000	<b>240.27</b>	11	4
		2 1/2 NPT	317-00111016-000	<b>240.27</b>	11	4
		3 NPT		<b>Not for D.I.</b>	-	-
		4 NPT		<b>Not for D.I.</b>	-	-
10-12	10.64-12.12	5/8 CC	317-00121205-000	<b>207.13</b>	10	4
		3/4 NPT	317-00121206-000	<b>207.13</b>	10	4
		3/4 CC	317-00121207-000	<b>207.13</b>	10	4
		1 NPT	317-00121208-000	<b>207.13</b>	10	4
		1 CC	317-00121209-000	<b>207.13</b>	10	4
		1 1/4 NPT	317-00121210-000	<b>222.83</b>	11	4
		1 1/4 CC	317-00121211-000	<b>222.83</b>	11	4
		1 1/2 NPT	317-00121212-000	<b>222.83</b>	11	4
		1 1/2 CC	317-00121213-000	<b>222.83</b>	11	4
		2 NPT	317-00121214-000	<b>240.27</b>	11	4
		2 CC	317-00121215-000	<b>240.27</b>	11	4
		2 1/2 NPT	317-00121216-000	<b>240.27</b>	11	4
10-12	11.30-12.12	3 NPT	317-00121017-000	<b>555.03</b>	14	2
		4 NPT	317-00121018-000	<b>555.03</b>	14	2



## 317 Service Saddles Double Straps, Ductile Iron Body with 304 Stainless Steel Straps

Nominal Size Inches	O.D. Range Inches	Tap Size & Type Inches*	Catalog Number	List Price	Approx. Weight lbs.	Ctn. Qty.
12	12.75-13.20	5/8 CC	317-00132005-000	<b>\$241.06</b>	12	4
		3/4 NPT	317-00132006-000	<b>241.06</b>	12	4
		3/4 CC	317-00132007-000	<b>241.06</b>	12	4
		1 NPT	317-00132008-000	<b>241.06</b>	12	4
		1 CC	317-00132009-000	<b>241.06</b>	12	4
		1 1/4 NPT	317-00132010-000	<b>258.17</b>	14	4
		1 1/4 CC	317-00132011-000	<b>258.17</b>	14	4
		1 1/2 NPT	317-00132012-000	<b>258.17</b>	14	4
		1 1/2 CC	317-00132013-000	<b>258.17</b>	14	4
		2 NPT	317-00132014-000	<b>276.18</b>	14	4
		2 CC	317-00132015-000	<b>276.18</b>	14	4
		2 1/2 NPT	317-00132016-000	<b>276.18</b>	14	4
		3 NPT	see 357's Page 63	<b>Not for D.I.</b>	-	-
		4 NPT	see 357's Page 63	<b>Not for D.I.</b>	-	-
12-14	12.62-14.32	5/8 CC	317-00143205-000	<b>241.06</b>	10	4
		3/4 NPT	317-00143206-000	<b>241.06</b>	10	4
		3/4 CC	317-00143207-000	<b>241.06</b>	10	4
		1 NPT	317-00143208-000	<b>241.06</b>	10	4
		1 CC	317-00143209-000	<b>241.06</b>	10	4
		1 1/4 NPT	317-00143210-000	<b>258.17</b>	14	4
		1 1/4 CC	317-00143211-000	<b>258.17</b>	14	4
		1 1/2 NPT	317-00143212-000	<b>258.17</b>	14	4
		1 1/2 CC	317-00143213-000	<b>258.17</b>	14	4
		2 NPT	317-00143214-000	<b>276.18</b>	14	4
		2 CC	317-00143215-000	<b>276.18</b>	14	4
		2 1/2 NPT	317-00143216-000	<b>276.18</b>	14	4
12-14	13.40-14.32	3 NPT	317-00143017-000	<b>679.33</b>	18	2
		4 NPT	317-00143018-000	<b>679.33</b>	18	2
12-14	14.73-15.65	5/8 CC	317-00156505-000	<b>280.96</b>	18	1
		3/4 NPT	317-00156506-000	<b>280.96</b>	18	1
		3/4 CC	317-00156507-000	<b>280.96</b>	18	1
		1 NPT	317-00156508-000	<b>280.96</b>	18	1
		1 CC	317-00156509-000	<b>280.96</b>	18	1
		1 1/4 NPT	317-00156510-000	<b>299.24</b>	18	1
		1 1/4 CC	317-00156511-000	<b>299.24</b>	18	1
		1 1/2 NPT	317-00156512-000	<b>299.24</b>	18	1
		1 1/2 CC	317-00156513-000	<b>299.24</b>	18	1
		2 NPT	317-00156514-000	<b>299.24</b>	18	1
		2 CC	317-00156515-000	<b>299.24</b>	18	1
		2 1/2 NPT	317-00156516-000	<b>299.24</b>	18	1



## 317 Service Saddles Double Straps, Ductile Iron Body with 304 Stainless Steel Straps

Nominal Size Inches	O.D. Range Inches	Tap Size & Type Inches*	Catalog Number	List Price	Approx. Weight lbs.	Ctn. Qty.
14-16	15.95-17.25	5/8 CC	317-00172505-000	<b>\$320.91</b>	19	1
		3/4 NPT	317-00172506-000	<b>320.91</b>	19	1
		3/4 CC	317-00172507-000	<b>320.91</b>	19	1
		1 NPT	317-00172508-000	<b>320.91</b>	19	1
		1 CC	317-00172509-000	<b>320.91</b>	19	1
		1 1/4 NPT	317-00172510-000	<b>343.62</b>	19	1
		1 1/4 CC	317-00172511-000	<b>343.62</b>	19	1
		1 1/2 NPT	317-00172512-000	<b>343.62</b>	19	1
		1 1/2 CC	317-00172513-000	<b>343.62</b>	19	1
		2 NPT	317-00172514-000	<b>343.62</b>	19	1
		2 CC	317-00172515-000	<b>343.62</b>	19	1
		2 1/2 NPT	317-00172516-000	<b>343.62</b>	19	1
16	17.25-17.80	5/8 CC	317-00178005-000	<b>334.77</b>	19	1
		3/4 NPT	317-00178006-000	<b>334.77</b>	19	1
		3/4 CC	317-00178007-000	<b>334.77</b>	19	1
		1 NPT	317-00178008-000	<b>334.77</b>	19	1
		1 CC	317-00178009-000	<b>334.77</b>	19	1
		1 1/4 NPT	317-00178010-000	<b>362.67</b>	19	1
		1 1/4 CC	317-00178011-000	<b>362.67</b>	19	1
		1 1/2 NPT	317-00178012-000	<b>362.67</b>	19	1
		1 1/2 CC	317-00178013-000	<b>362.67</b>	19	1
		2 NPT	317-00178014-000	<b>362.67</b>	19	1
		2 CC	317-00178015-000	<b>362.67</b>	19	1
		2 1/2 NPT	317-00178016-000	<b>362.67</b>	19	1
		3 NPT	317-00178017-000	<b>858.33</b>	19	1
		4 NPT	317-00178018-000	<b>858.33</b>	19	1
16-18	17.40-18.88	5/8 CC	317-00188805-000	<b>346.84</b>	19	1
		3/4 NPT	317-00188806-000	<b>346.84</b>	19	1
		3/4 CC	317-00188807-000	<b>346.84</b>	19	1
		1 NPT	317-00188808-000	<b>346.84</b>	19	1
		1 CC	317-00188809-000	<b>346.84</b>	19	1
		1 1/4 NPT	317-00188810-000	<b>370.78</b>	20	1
		1 1/4 CC	317-00188811-000	<b>370.78</b>	20	1
		1 1/2 NPT	317-00188812-000	<b>370.78</b>	20	1
		1 1/2 CC	317-00188813-000	<b>370.78</b>	20	1
		2 NPT	317-00188814-000	<b>370.78</b>	20	1
		2 CC	317-00188815-000	<b>370.78</b>	20	1
		2 1/2 NPT	317-00188816-000	<b>370.78</b>	20	1
16-18	17.81-18.88	3 NPT	317-00188817-000	<b>858.33</b>	20	1
		4 NPT	317-00188818-000	<b>858.33</b>	20	1



## 317 Service Saddles Double Straps, Ductile Iron Body with 304 Stainless Steel Straps

Nominal Size Inches	Tap Size & Type Inches	Catalog Number	List Price	Approx. Weight lbs.
18	5/8 CC	317-00195005-000	<b>\$448.59</b>	20
	3/4 NPT	317-00195006-000	<b>448.59</b>	20
	3/4 CC	317-00195007-000	<b>448.59</b>	20
	1 NPT	317-00195008-000	<b>448.59</b>	20
	1 CC	317-00195009-000	<b>448.59</b>	20
	1 1/4 NPT	317-00195010-000	<b>473.05</b>	20
	1 1/4 CC	317-00195011-000	<b>473.05</b>	20
	1 1/2 NPT	317-00195012-000	<b>473.05</b>	20
	1 1/2 CC	317-00195013-000	<b>473.05</b>	20
	2 NPT	317-00195014-000	<b>473.05</b>	20
	2 CC	317-00195015-000	<b>473.05</b>	20
	2 1/2 NPT	317-00195016-000	<b>473.05</b>	20
20	5/8 CC	317-00216005-000	<b>515.89</b>	20
	3/4 NPT	317-00216006-000	<b>515.89</b>	20
	3/4 CC	317-00216007-000	<b>515.89</b>	20
	1 NPT	317-00216008-000	<b>515.89</b>	20
	1 CC	317-00216009-000	<b>515.89</b>	20
	1 1/4 NPT	317-00216010-000	<b>540.37</b>	20
	1 1/4 CC	317-00216011-000	<b>540.37</b>	20
	1 1/2 NPT	317-00216012-000	<b>540.37</b>	20
	1 1/2 CC	317-00216013-000	<b>540.37</b>	20
	2 NPT	317-00216014-000	<b>540.37</b>	20
	2 CC	317-00216015-000	<b>540.37</b>	20
	2 1/2 NPT	317-00216016-000	<b>540.37</b>	20
24	5/8 CC	317-00258005-000	<b>601.52</b>	30
	3/4 NPT	317-00258006-000	<b>601.52</b>	30
	3/4 CC	317-00258007-000	<b>601.52</b>	30
	1 NPT	317-00258008-000	<b>601.52</b>	30
	1 CC	317-00258009-000	<b>601.52</b>	30
	1 1/4 NPT	317-00258010-000	<b>625.98</b>	30
	1 1/4 CC	317-00258011-000	<b>625.98</b>	30
	1 1/2 NPT	317-00258012-000	<b>625.98</b>	30
	1 1/2 CC	317-00258013-000	<b>625.98</b>	30
	2 NPT	317-00258014-000	<b>625.98</b>	30
	2 CC	317-00258015-000	<b>625.98</b>	30
	2 1/2 NPT	317-00258016-000	<b>625.98</b>	30

### List Price For Stainless Steel Spring Washers Used With Saddles On HDPE Pipe

Washer Size	Part Number Each	Number of Washers	Number of Studs (317 / 397)	List Adder	Total
5/8	000-00150115-002	8	4	<b>\$8.22</b>	<b>\$65.79</b>

\*NOTE: For use with Smith-Blair approved saddles only.



**325 Bronze Service Saddles**  
**Extra Wide 304 Stainless Strap, For PVC Pipe (Sized Steel or Ductile Iron OD)**  
**3/4" thru 2" NPT and CC Taps**

Nominal Size Inches	O.D. Inches	Tap Size & Type Inches	Catalog Number	List Price	Approx. Weight lbs.
4	4.50	3/4" NPT	325-00045006-000	<b>\$193.07</b>	7
		3/4" CC	325-00045007-000	<b>193.07</b>	7
		1" NPT	325-00045008-000	<b>193.07</b>	7
		1" CC	325-00045009-000	<b>193.07</b>	7
		1 1/4" NPT	325-00045010-000	<b>224.91</b>	8
		1 1/4" CC	325-00045011-000	<b>224.91</b>	8
		1 1/2" NPT	325-00045012-000	<b>224.91</b>	8
		1 1/2" CC	325-00045013-000	<b>224.91</b>	8
		2" NPT	325-00045014-000	<b>224.91</b>	8
		2" CC	325-00045015-000	<b>224.91</b>	8
4	4.80	3/4" NPT	325-00048006-000	<b>193.07</b>	7
		3/4" CC	325-00048007-000	<b>193.07</b>	7
		1" NPT	325-00048008-000	<b>193.07</b>	7
		1" CC	325-00048009-000	<b>193.07</b>	7
		1 1/4" NPT	325-00048010-000	<b>224.91</b>	8
		1 1/4" CC	325-00048011-000	<b>224.91</b>	8
		1 1/2" NPT	325-00048012-000	<b>224.91</b>	8
		1 1/2" CC	325-00048013-000	<b>224.91</b>	8
		2" NPT	325-00048014-000	<b>224.91</b>	8
		2" CC	325-00048015-000	<b>224.91</b>	8
6	6.63	3/4" NPT	325-00066306-000	<b>226.81</b>	8
		3/4" CC	325-00066307-000	<b>226.81</b>	8
		1" NPT	325-00066308-000	<b>226.81</b>	8
		1" CC	325-00066309-000	<b>226.81</b>	8
		1 1/4" NPT	325-00066310-000	<b>259.52</b>	8
		1 1/4" CC	325-00066311-000	<b>259.52</b>	8
		1 1/2" NPT	325-00066312-000	<b>259.52</b>	8
		1 1/2" CC	325-00066313-000	<b>259.52</b>	8
		2" NPT	325-00066314-000	<b>259.52</b>	8
		2" CC	325-00066315-000	<b>259.52</b>	8



**325 Bronze Service Saddles**  
**Extra Wide 304 Stainless Strap, For PVC Pipe (Sized Steel or Ductile Iron OD)**  
**3/4" thru 2" NPT and CC Taps**

Nominal Size Inches	O.D. Inches	Tap Size & Type Inches	Catalog Number	List Price	Approx. Weight lbs.
6	6.90	3/4" NPT	325-00069006-000	<b>\$226.81</b>	8
		3/4" CC	325-00069007-000	<b>226.81</b>	8
		1" NPT	325-00069008-000	<b>226.81</b>	8
		1" CC	325-00069009-000	<b>226.81</b>	8
		1 1/4" NPT	325-00069010-000	<b>259.52</b>	8
		1 1/4" CC	325-00069011-000	<b>259.52</b>	8
		1 1/2" NPT	325-00069012-000	<b>259.52</b>	8
		1 1/2" CC	325-00069013-000	<b>259.52</b>	8
		2" NPT	325-00069014-000	<b>259.52</b>	8
		2" CC	325-00069015-000	<b>259.52</b>	8
8	8.63	3/4" NPT	325-00086306-000	<b>281.04</b>	8
		3/4" CC	325-00086307-000	<b>281.04</b>	8
		1" NPT	325-00086308-000	<b>281.04</b>	8
		1" CC	325-00086309-000	<b>281.04</b>	8
		1 1/4" NPT	325-00086310-000	<b>295.75</b>	8
		1 1/4" CC	325-00086311-000	<b>295.75</b>	8
		1 1/2" NPT	325-00086312-000	<b>295.75</b>	8
		1 1/2" CC	325-00086313-000	<b>295.75</b>	8
		2" NPT	325-00086314-000	<b>295.75</b>	8
		2" CC	325-00086315-000	<b>295.75</b>	8
8	9.05	3/4" NPT	325-00090506-000	<b>281.04</b>	8
		3/4" CC	325-00090507-000	<b>281.04</b>	8
		1" NPT	325-00090508-000	<b>281.04</b>	8
		1" CC	325-00090509-000	<b>281.04</b>	8
		1 1/4" NPT	325-00090510-000	<b>295.75</b>	8
		1 1/4" CC	325-00090511-000	<b>295.75</b>	8
		1 1/2" NPT	325-00090512-000	<b>295.75</b>	8
		1 1/2" CC	325-00090513-000	<b>295.75</b>	8
		2" NPT	325-00090514-000	<b>295.75</b>	8
		2" CC	325-00090515-000	<b>295.75</b>	8



**325 Bronze Service Saddles**  
**Extra Wide 304 Stainless Strap, For PVC Pipe (Sized Steel or Ductile Iron OD)**  
**3/4" thru 2" NPT and CC Taps**

Nominal Size Inches	O.D. Inches	Tap Size & Type Inches	Catalog Number	List Price	Approx. Weight lbs.
10	10.75	3/4" NPT	325-00107506-000	<b>\$348.45</b>	8
		3/4" CC	325-00107507-000	<b>348.45</b>	8
		1" NPT	325-00107508-000	<b>348.45</b>	8
		1" CC	325-00107509-000	<b>348.45</b>	8
		1 1/4" NPT	325-00107510-000	<b>382.88</b>	10
		1 1/4" CC	325-00107511-000	<b>382.88</b>	10
		1 1/2" NPT	325-00107512-000	<b>382.88</b>	10
		1 1/2" CC	325-00107513-000	<b>382.88</b>	10
		2" NPT	325-00107514-000	<b>382.88</b>	10
		2" CC	325-00107515-000	<b>382.88</b>	10
10	11.10	3/4" NPT	325-00111006-000	<b>348.45</b>	11
		3/4" CC	325-00111007-000	<b>348.45</b>	11
		1" NPT	325-00111008-000	<b>348.45</b>	11
		1" CC	325-00111009-000	<b>348.45</b>	11
		1 1/4" NPT	325-00111010-000	<b>382.88</b>	11
		1 1/4" CC	325-00111011-000	<b>382.88</b>	11
		1 1/2" NPT	325-00111012-000	<b>382.88</b>	11
		1 1/2" CC	325-00111013-000	<b>382.88</b>	11
		2" NPT	325-00111014-000	<b>382.88</b>	11
		2" CC	325-00111015-000	<b>382.88</b>	11
12	12.75	3/4" NPT	325-00127506-000	<b>387.7125</b>	10
		3/4" CC	325-00127507-000	<b>387.71</b>	10
		1" NPT	325-00127508-000	<b>387.71</b>	10
		1" CC	325-00127509-000	<b>387.71</b>	10
		1 1/4" NPT	325-00127510-000	<b>437.18</b>	11
		1 1/4" CC	325-00127511-000	<b>437.18</b>	11
		1 1/2" NPT	325-00127512-000	<b>437.18</b>	11
		1 1/2" CC	325-00127513-000	<b>437.18</b>	11
		2" NPT	325-00127514-000	<b>437.18</b>	11
		2" CC	325-00127515-000	<b>437.18</b>	11
12	13.20	3/4" NPT	325-00132006-000	<b>387.71</b>	11
		3/4" CC	325-00132007-000	<b>387.71</b>	11
		1" NPT	325-00132008-000	<b>387.71</b>	11
		1" CC	325-00132009-000	<b>387.71</b>	11
		1 1/4" NPT	325-00132010-000	<b>437.18</b>	12
		1 1/4" CC	325-00132011-000	<b>437.18</b>	12
		1 1/2" NPT	325-00132012-000	<b>437.18</b>	12
		1 1/2" CC	325-00132013-000	<b>437.18</b>	12
		2" NPT	325-00132014-000	<b>437.18</b>	12
		2" CC	325-00132015-000	<b>437.18</b>	12



**325 Bronze Service Saddles**  
**Extra Wide 304 Stainless Strap, For PVC Pipe (Sized Steel or Ductile Iron OD)**  
**3/4" thru 2" NPT and CC Taps**

Nominal Size Inches	O.D. Inches	Tap Size & Type Inches	Catalog Number	List Price	Approx. Weight lbs.
4	4.50-4.80	3/4" NPT	325-00048006-100	<b>\$193.07</b>	7
		3/4" CC	325-00048007-100	<b>193.07</b>	7
		1" NPT	325-00048008-100	<b>193.07</b>	7
		1" CC	325-00048009-100	<b>193.07</b>	7
		1 1/4" NPT	325-00048010-100	<b>224.92</b>	8
		1 1/4" CC	325-00048011-100	<b>224.92</b>	8
		1 1/2" NPT	325-00048012-100	<b>224.92</b>	8
		1 1/2" CC	325-00048013-100	<b>224.92</b>	8
		2" NPT	325-00048014-100	<b>224.92</b>	8
		2" CC	325-00048015-100	<b>224.92</b>	8
6	6.63-6.90	3/4" NPT	325-00069006-100	<b>226.81</b>	8
		3/4" CC	325-00069007-100	<b>226.81</b>	8
		1" NPT	325-00069008-100	<b>226.81</b>	8
		1" CC	325-00069009-100	<b>226.81</b>	8
		1 1/4" NPT	325-00069010-100	<b>259.52</b>	8
		1 1/4" CC	325-00069011-100	<b>259.52</b>	8
		1 1/2" NPT	325-00069012-100	<b>259.52</b>	8
		1 1/2" CC	325-00069013-100	<b>259.52</b>	8
		2" NPT	325-00069014-100	<b>259.52</b>	8
		2" CC	325-00069015-100	<b>259.52</b>	8
8	8.63-9.05	3/4" NPT	325-00090506-100	<b>281.04</b>	8
		3/4" CC	325-00090507-100	<b>281.04</b>	8
		1" NPT	325-00090508-100	<b>281.04</b>	8
		1" CC	325-00090509-100	<b>281.04</b>	8
		1 1/4" NPT	325-00090510-100	<b>295.75</b>	8
		1 1/4" CC	325-00090511-100	<b>295.75</b>	8
		1 1/2" NPT	325-00090512-100	<b>295.75</b>	8
		1 1/2" CC	325-00090513-100	<b>295.75</b>	8
		2" NPT	325-00090514-100	<b>295.75</b>	8
		2" CC	325-00090515-100	<b>295.75</b>	8
10	10.75-11.10	3/4" NPT	325-00111006-100	<b>348.45</b>	11
		3/4" CC	325-00111007-100	<b>348.45</b>	11
		1" NPT	325-00111008-100	<b>348.45</b>	11
		1" CC	325-00111009-100	<b>348.45</b>	11
		1 1/4" NPT	325-00111010-100	<b>382.88</b>	11
		1 1/4" CC	325-00111011-100	<b>382.88</b>	11
		1 1/2" NPT	325-00111012-100	<b>382.88</b>	11
		1 1/2" CC	325-00111013-100	<b>382.88</b>	11
		2" NPT	325-00111014-100	<b>382.88</b>	11
		2" CC	325-00111015-100	<b>382.88</b>	11



**325 Bronze Service Saddles**  
**Extra Wide 304 Stainless Strap, For PVC Pipe (Sized Steel or Ductile Iron OD)**  
**3/4" thru 2" NPT and CC Taps**

Nominal Size Inches	O.D. Inches	Tap Size & Type Inches	Catalog Number	List Price	Approx. Weight lbs.
10	10.75-11.10	3/4" NPT	325-00111006-100	<b>\$348.45</b>	11
		3/4" CC	325-00111007-100	<b>348.45</b>	11
		1" NPT	325-00111008-100	<b>348.45</b>	11
		1" CC	325-00111009-100	<b>348.45</b>	11
		1 1/4" NPT	325-00111010-100	<b>382.88</b>	11
		1 1/4" CC	325-00111011-100	<b>382.88</b>	11
		1 1/2" NPT	325-00111012-100	<b>382.88</b>	11
		1 1/2" CC	325-00111013-100	<b>382.88</b>	11
		2" NPT	325-00111014-100	<b>382.88</b>	11
		2" CC	325-00111015-100	<b>382.88</b>	11
12	12.75-13.20	3/4" NPT	325-00132006-100	<b>387.71</b>	11
		3/4" CC	325-00132007-100	<b>387.71</b>	11
		1" NPT	325-00132008-100	<b>387.71</b>	11
		1" CC	325-00132009-100	<b>387.71</b>	11
		1 1/4" NPT	325-00132010-100	<b>437.18</b>	12
		1 1/4" CC	325-00132011-100	<b>437.18</b>	12
		1 1/2" NPT	325-00132012-100	<b>437.18</b>	12
		1 1/2" CC	325-00132013-100	<b>437.18</b>	12
		2" NPT	325-00132014-100	<b>437.18</b>	12
		2" CC	325-00132015-100	<b>437.18</b>	12



## 331 Repair Service Saddles Double Bale, Electro-Galvanized, Epoxy Coated DI Body

5/8" CC through 2" NPT Taps

Nominal Size Inches	O.D. Range Inches	Tap Size & Type Inches	Catalog Number	List Price	Approx. Weight lbs.
4	4.79-5.32	5/8" CC	331-00053205-000	<b>\$133.23</b>	8
		3/4" NPT	331-00053206-000	<b>133.23</b>	8
		3/4" CC	331-00053207-000	<b>133.23</b>	8
		1" NPT	331-00053208-000	<b>133.23</b>	8
		1" CC	331-00053209-000	<b>133.23</b>	8
		1 1/4" NPT	331-00053210-000	<b>150.99</b>	8
		1 1/4" CC	331-00053211-000	<b>150.99</b>	8
		1 1/2" NPT	331-00053212-000	<b>150.99</b>	8
		1 1/2" CC	331-00053213-000	<b>150.99</b>	8
		2" NPT	331-00053214-000	<b>150.99</b>	8
6	6.90-7.40	5/8" CC	331-00074005-000	<b>150.08</b>	11
		3/4" NPT	331-00074006-000	<b>150.08</b>	11
		3/4" CC	331-00074007-000	<b>150.08</b>	11
		1" NPT	331-00074008-000	<b>150.08</b>	11
		1" CC	331-00074009-000	<b>150.08</b>	11
		1 1/4" NPT	331-00074010-000	<b>165.82</b>	11
		1 1/4" CC	331-00074011-000	<b>165.82</b>	11
		1 1/2" NPT	331-00074012-000	<b>165.82</b>	11
		1 1/2" CC	331-00074013-000	<b>165.82</b>	11
		2" NPT	331-00074014-000	<b>165.82</b>	11
8	9.00-9.63	5/8" CC	331-00096305-000	<b>174.05</b>	13
		3/4" NPT	331-00096306-000	<b>174.05</b>	13
		3/4" CC	331-00096307-000	<b>174.05</b>	13
		1" NPT	331-00096308-000	<b>174.05</b>	13
		1" CC	331-00096309-000	<b>174.05</b>	13
		1 1/4" NPT	331-00096310-000	<b>225.03</b>	13
		1 1/4" CC	331-00096311-000	<b>225.03</b>	13
		1 1/2" NPT	331-00096312-000	<b>225.03</b>	13
		1 1/2" CC	331-00096313-000	<b>225.03</b>	13
		2" NPT	331-00096314-000	<b>225.03</b>	13



## 331 Repair Service Saddles Double Bale, Electro-Galvanized, Epoxy Coated DI Body

Nominal Size Inches	O.D. Range Inches	Tap Size & Type Inches	Catalog Number	List Price	Approx. Weight lbs.
10	11.04-12.12	5/8" CC	331-00121205-000	<b>\$217.36</b>	13
		3/4" NPT	331-00121206-000	<b>217.36</b>	13
		3/4" CC	331-00121207-000	<b>217.36</b>	13
		1" NPT	331-00121208-000	<b>217.36</b>	13
		1" CC	331-00121209-000	<b>217.36</b>	13
		1 1/4" NPT	331-00121210-000	<b>236.84</b>	13
		1 1/4" CC	331-00121211-000	<b>236.84</b>	13
		1 1/2" NPT	331-00121212-000	<b>236.84</b>	13
		1 1/2" CC	331-00121213-000	<b>236.84</b>	13
		2" NPT	331-00121214-000	<b>236.84</b>	13
12	13.14-14.38	5/8" CC	331-00143805-000	<b>313.32</b>	16
		3/4" NPT	331-00143806-000	<b>313.32</b>	16
		3/4" CC	331-00143807-000	<b>313.32</b>	16
		1" NPT	331-00143808-000	<b>313.32</b>	16
		1" CC	331-00143809-000	<b>313.32</b>	16
		1 1/4" NPT	331-00143810-000	<b>340.46</b>	16
		1 1/4" CC	331-00143811-000	<b>340.46</b>	16
		1 1/2" NPT	331-00143812-000	<b>340.46</b>	16
		1 1/2" CC	331-00143813-000	<b>340.46</b>	16
		2" NPT	331-00143814-000	<b>340.46</b>	16



**357 Service Saddles For PVC or Steel Pipe,  
D.I. Body with 304 Stainless Steel Straps**

Nominal Size	O.D. Range Inches	Catalog Number				Approx. Weight lbs.
		3" NPT	List Price	4" NPT	List Price	
6	6.63-6.90	357-00069017-000	<b>\$318.58</b>	357-00069018-000	<b>\$446.61</b>	13
8	8.63-9.05	357-00090517-000	<b>345.10</b>	357-00090518-000	<b>464.08</b>	13
10	10.75-11.10	357-00111017-000	<b>376.97</b>	357-00111018-000	<b>472.72</b>	14
12	12.75-13.20	357-00132017-000	<b>400.85</b>	357-00132018-000	<b>487.20</b>	14

Not for Ductile Iron Pipe.



## 362 Service Saddles For Concrete Cylinder Pipe, D.I. Body with Epoxy Coating and Epoxy Coated Straps

### 3/4" NPT and CC Taps

### 1" and 1 1/4" NPT and CC Taps

Nom. Size Inches	O.D. Inches	Concrete Coating O.D. Range	Catalog Number		List Price	Approx. Wt. Lbs.
			3/4" NPT	3/4" CC		
12	13 3/8	15.38-15.88	362-00158806-000	362-00158807-000	<b>\$569.74</b>	24
14	15 1/4	17.25-18.00	362-00180006-000	362-00180007-000	<b>575.88</b>	24
16	17 3/8	19.38-19.88	362-00198806-000	362-00198807-000	<b>581.90</b>	26
18	19 25/32	21.75-22.38	362-00223806-000	362-00223807-000	<b>655.05</b>	26
20	21 25/32	23.75-24.38	362-00243806-000	362-00243807-000	<b>664.22</b>	30
21	22 25/32	24.75-25.50	362-00255006-000	362-00255007-000	<b>676.43</b>	31
24	25 3/4	27.88-28.50	362-00285006-000	362-00285007-000	<b>691.67</b>	33
27	28 25/32	30.75-31.50	362-00315006-000	362-00315007-000	<b>728.19</b>	35
30	31 7/8	34.13-34.88	362-00348806-000	362-00348807-000	<b>796.76</b>	37
33	34 7/8	37.13-37.38	362-00373806-000	362-00373807-000	<b>853.68</b>	38
36	37 7/8	40.25-41.00	362-00410006-000	362-00410007-000	<b>897.96</b>	40

### 1" and 1 1/4" NPT and CC Taps

Nom. Size Inches	O.D. Inches	Concrete Coating O.D. Range Inches	Catalog Number				List Price	Appr. Wt. Lbs.
			1" NPT	1" CC	1 1/4" NPT	1 1/4" CC		
12	13 3/8	15.38-15.88	362-00158808-000	362-00158809-000	362-00158810-000	362-00158811-000	<b>\$569.74</b>	24
14	15 1/4	17.25-18.00	362-00180008-000	362-00180009-000	362-00180010-000	362-00180011-000	<b>575.88</b>	25
16	17 3/8	19.38-19.88	362-00198808-000	362-00198809-000	362-00198810-000	362-00198811-000	<b>581.90</b>	26
18	19 25/32	21.75-22.38	362-00223808-000	362-00223809-000	362-00223810-000	362-00223811-000	<b>655.05</b>	27
20	21 25/32	23.75-24.38	362-00243808-000	362-00243809-000	362-00243810-000	362-00243811-000	<b>664.22</b>	31
21	22 25/32	24.75-25.50	362-00255008-000	362-00255009-000	362-00255010-000	362-00255011-000	<b>676.43</b>	31
24	25 3/4	27.88-28.50	362-00285008-000	362-00285009-000	362-00285010-000	362-00285011-000	<b>691.67</b>	33
27	28 25/32	30.75-31.50	362-00315008-000	362-00315009-000	362-00315010-000	362-00315011-000	<b>728.19</b>	35
30	31 7/8	34.13-34.88	362-00348808-000	362-00348809-000	362-00348810-000	362-00348811-000	<b>796.76</b>	37
33	34 7/8	37.13-37.38	362-00373808-000	362-00373809-000	362-00373810-000	362-00373811-000	<b>853.68</b>	38
36	37 7/8	40.25-41.00	362-00410008-000	362-00410009-000	362-00410010-000	362-00410011-000	<b>897.96</b>	40

### 1 1/2" and 2" NPT and CC Taps

Nom. Size Inches	O.D. Inches	Concrete Coating O.D. Range Inches	Catalog Number				List Price	Appr. Wt. Lbs.
			1 1/2" NPT	1 1/2" CC	2" NPT	2" CC		
12	13 3/8	15.38-15.88	362-00158812-000	362-00158813-000	362-00158814-000	362-00158815-000	<b>\$ 569.74</b>	24
14	15 1/4	17.25-18.00	362-00180012-000	362-00180013-000	362-00180014-000	362-00180015-000	<b>575.88</b>	25
16	17 3/8	19.38-19.88	362-00198812-000	362-00198813-000	362-00198814-000	362-00198815-000	<b>581.90</b>	26
18	19 25/32	21.75-22.38	362-00223812-000	362-00223813-000	362-00223814-000	362-00223815-000	<b>655.05</b>	27
20	21 25/32	23.75-24.38	362-00243812-000	362-00243813-000	362-00243814-000	362-00243815-000	<b>664.22</b>	31
21	22 25/32	24.75-25.50	362-00255012-000	362-00255013-000	362-00255014-000	362-00255015-000	<b>676.43</b>	31
24	25 3/4	27.88-28.50	362-00285012-000	362-00285013-000	362-00285014-000	362-00285015-000	<b>691.67</b>	33
27	28 25/32	30.75-31.50	362-00315012-000	362-00315013-000	362-00315014-000	362-00315015-000	<b>728.19</b>	35
30	31 7/8	34.13-34.88	362-00348812-000	362-00348813-000	362-00348814-000	362-00348815-000	<b>796.76</b>	27
33	34 7/8	37.13-37.38	362-00373812-000	362-00373813-000	362-00373814-000	362-00373815-000	<b>853.68</b>	38
36	37 7/8	40.25-41.00	362-00410012-000	362-00410013-000	362-00410014-000	362-00410015-000	<b>897.96</b>	40



**366 Service Saddles For Large Diameter  
D.I. Body and Epoxy Coated Straps  
3/4", 1" and 1 1/4" NPT and CC Taps**

O.D. Range Inches	Catalog Number						List Price	Apx. Wgt. Lbs.
	3/4" NPT	3/4" CC	1" NPT	1" CC	1 1/4" NPT	1 1/4" CC		
19.25-20.00	366-00200006-000	366-00200007-000	366-00200008-000	366-00200009-000	366-00200010-000	366-00200011-000	<b>\$851.93</b>	38
19.75-20.50	366-00205006-000	366-00205007-000	366-00205008-000	366-00205009-000	366-00205010-000	366-00205011-000	<b>854.91</b>	38
20.50-21.25	366-00212506-000	366-00212507-000	366-00212508-000	366-00212509-000	366-00212510-000	366-00212511-000	<b>866.73</b>	38
21.35-22.10	366-00221006-000	366-00221007-000	366-00221008-000	366-00221009-000	366-00221010-000	366-00221011-000	<b>875.61</b>	39
21.81-22.56	366-00225606-000	366-00225607-000	366-00225608-000	366-00225609-000	366-00225610-000	366-00225611-000	<b>888.71</b>	39
22.50-23.25	366-00232506-000	366-00232507-000	366-00232508-000	366-00232509-000	366-00232510-000	366-00232511-000	<b>893.38</b>	39
<del>23.19-</del> 23.94	366-00239406-000	366-00239407-000	366-00239408-000	366-00239409-000	366-00239410-000	366-00239411-000	<b>902.25</b>	39
<del>23.75-</del> 24.50								
<del>24.50-</del> 25.25	366-00245006-000	366-00245007-000	366-00245008-000	366-00245009-000	366-00245010-000	366-00245011-000	<b>911.06</b>	42
<del>25.35-</del> 26.32	366-00252506-000	366-00252507-000	366-00252508-000	366-00252509-000	366-00252510-000	366-00252511-000	<b>917.02</b>	42
<del>26.07-</del> 26.82	366-00263206-000	366-00263207-000	366-00263208-000	366-00263209-000	366-00263210-000	366-00263211-000	<b>925.86</b>	44
<del>26.85-</del> 27.50	366-00268206-000	366-00268207-000	366-00268208-000	366-00268209-000	366-00268210-000	366-00268211-000	<b>934.72</b>	44
<del>27.51-</del> 28.25	366-00275006-000	366-00275007-000	366-00275008-000	366-00275009-000	366-00275010-000	366-00275011-000	<b>940.73</b>	44
<del>28.75-</del> 29.50	366-00282506-000	366-00282507-000	366-00282508-000	366-00282509-000	366-00282510-000	366-00282511-000	<b>949.59</b>	45
<del>29.53-</del> 30.28	366-00295006-000	366-00295007-000	366-00295008-000	366-00295009-000	366-00295010-000	366-00295011-000	<b>955.44</b>	45
<del>30.50-</del> 31.49	366-00302806-000	366-00302807-000	366-00302808-000	366-00302809-000	366-00302810-000	366-00302811-000	<b>970.28</b>	47
<del>31.75-</del> 32.50	366-00305006-000	366-00305007-000	366-00305008-000	366-00305009-000	366-00305010-000	366-00305011-000	<b>975.74</b>	47
<del>32.49-</del> 33.24	366-00322406-000	366-00322407-000	366-00322408-000	366-00322409-000	366-00322410-000	366-00322411-000	<b>1002.78</b>	49
<del>33.96-</del> 34.90	366-00325006-000	366-00325007-000	366-00325008-000	366-00325009-000	366-00325010-000	366-00325011-000	<b>1011.64</b>	49
<del>35.65-</del> 36.42	366-00332406-000	366-00332407-000	366-00332408-000	366-00332409-000	366-00332410-000	366-00332411-000	<b>1035.30</b>	49
<del>36.49-</del> 37.24	366-00339606-000	366-00339607-000	366-00339608-000	366-00339609-000	366-00339610-000	366-00339611-000	<b>1041.23</b>	49
<del>37.97-</del> 38.46	366-00356506-000	366-00356507-000	366-00356508-000	366-00356509-000	366-00356510-000	366-00356511-000	<b>1,067.86</b>	52
<del>38.45-</del> 39.20	366-00364206-000	366-00364207-000	366-00364208-000	366-00364209-000	366-00364210-000	366-00364211-000	<b>1,076.72</b>	52
<del>39.35-</del> 40.10	366-00372406-000	366-00372407-000	366-00372408-000	366-00372409-000	366-00372410-000	366-00372411-000	<b>1,103.35</b>	54
<del>40.56-</del> 41.95	366-00377206-000	366-00377207-000	366-00377208-000	366-00377209-000	366-00377210-000	366-00377211-000	<b>1,118.16</b>	54
<del>42.70-</del> 43.15	366-00384606-000	366-00384607-000	366-00384608-000	366-00384609-000	366-00384610-000	366-00384611-000	<b>1,141.84</b>	54
	366-00392006-000	366-00392007-000	366-00392008-000	366-00392009-000	<b>366-00392010-000</b>	366-00392011-000	<b>1,153.61</b>	54
	366-00401006-000	366-00401007-000	366-00401008-000	366-00401009-000	366-00401010-000	366-00401011-000	<b>1,171.44</b>	56
	366-00405606-000	366-00405607-000	366-00405608-000	366-00405609-000	366-00405610-000	366-00405611-000	<b>1,183.22</b>	56
	366-00427006-000	366-00427007-000	366-00427008-000	366-00427009-000	366-00427010-000	366-00427011-000	<b>1,198.02</b>	56
	366-00431506-000	366-00431507-000	366-00431508-000	366-00431509-000	366-00431510-000	366-00431511-000	<b>1,212.78</b>	57



**366 Service Saddles for Large Diameter  
D.I. Body and Epoxy Coated Straps  
1 1/2", 2" and 2 1/2" NPT and CC Taps**

O.D. Range Inches	Catalog Number					List Price	Apx. Wgt. Lbs.
	1 1/2" NPT	1 1/2" CC	2" NPT	2" CC	2 1/2" NPT		
19.25-20.00	366-00200012-000	366-00200013-000	366-00200014-000	366-00200015-000	366-00200016-000	<b>\$ 851.93</b>	38
19.75-20.50	366-00205012-000	366-00205013-000	366-00205014-000	366-00205015-000	366-00205016-000	<b>854.91</b>	38
20.50-21.25	366-00212512-000	366-00212513-000	366-00212514-000	366-00212515-000	366-00212516-000	<b>866.73</b>	38
21.35-22.10	366-00221012-000	366-00221013-000	366-00221014-000	366-00221015-000	366-00221016-000	<b>875.61</b>	39
21.81-22.56	366-00225612-000	366-00225613-000	366-00225614-000	366-00225615-000	366-00225616-000	<b>888.71</b>	39
22.50-23.25	366-00232512-000	366-00232513-000	366-00232514-000	366-00232515-000	366-00232516-000	<b>893.38</b>	39
23.19-23.94	366-00239412-000	366-00239413-000	366-00239414-000	366-00239415-000	366-00239416-000	<b>902.25</b>	39
23.75-24.50	366-00245012-000	366-00245013-000	366-00245014-000	366-00245015-000	366-00245016-000	<b>911.06</b>	42
24.50-25.25	366-00252512-000	366-00252513-000	366-00252514-000	366-00252515-000	366-00252516-000	<b>917.02</b>	42
25.55-26.32	366-00263212-000	366-00263213-000	366-00263214-000	366-00263215-000	366-00263216-000	<b>925.86</b>	44
26.07-26.82	366-00268212-000	366-00268213-000	366-00268214-000	366-00268215-000	366-00268216-000	<b>934.72</b>	44
26.65-27.50	366-00275012-000	366-00275013-000	366-00275014-000	366-00275015-000	366-00275016-000	<b>940.73</b>	44
27.51-28.25	366-00282512-000	366-00282513-000	366-00282514-000	366-00282515-000	366-00282516-000	<b>949.59</b>	45
28.75-29.50	366-00295012-000	366-00295013-000	366-00295014-000	366-00295015-000	366-00295016-000	<b>955.44</b>	45
29.53-30.28	366-00302812-000	366-00302813-000	366-00302814-000	366-00302815-000	366-00302816-000	<b>970.28</b>	47
29.75-30.50	366-00305012-000	366-00305013-000	366-00305014-000	366-00305015-000	366-00305016-000	<b>975.74</b>	47
31.49-32.24	366-00322412-000	366-00322413-000	366-00322414-000	366-00322415-000	366-00322416-000	<b>1002.78</b>	49
31.75-32.50	366-00325012-000	366-00325013-000	366-00325014-000	366-00325015-000	366-00325016-000	<b>1011.64</b>	49
32.49-33.24	366-00332412-000	366-00332413-000	366-00332414-000	366-00332415-000	366-00332416-000	<b>1035.30</b>	49
33.21-33.96	366-00339612-000	366-00339613-000	366-00339614-000	366-00339615-000	366-00339616-000	<b>1041.23</b>	49
34.90-35.65	366-00356512-000	366-00356513-000	366-00356514-000	366-00356515-000	366-00356516-000	<b>1,067.86</b>	49
35.67-36.42	366-00364212-000	366-00364213-000	366-00364214-000	366-00364215-000	366-00364216-000	<b>1,076.72</b>	54
36.49-37.24	366-00372412-000	366-00372413-000	366-00372414-000	366-00372415-000	366-00372416-000	<b>1,103.35</b>	54
36.97-37.72	366-00377212-000	366-00377213-000	366-00377214-000	366-00377215-000	366-00377216-000	<b>1,118.16</b>	54
37.71-38.46	366-00384612-000	366-00384613-000	366-00384614-000	366-00384615-000	366-00384616-000	<b>1,141.84</b>	54
38.45-39.20	366-00392012-000	366-00392013-000	366-00392014-000	366-00392015-000	366-00392016-000	<b>1,153.61</b>	54
39.35-40.10	366-00401012-000	366-00401013-000	366-00401014-000	366-00401015-000	366-00401016-000	<b>1,171.44</b>	56
39.81-40.56	366-00405612-000	366-00405613-000	366-00405614-000	366-00405615-000	366-00405616-000	<b>1,183.22</b>	56
41.95-42.70	366-00427012-000	366-00427013-000	366-00427014-000	366-00427015-000	366-00427016-000	<b>1,198.02</b>	56
42.40-43.15	366-00431512-000	366-00431513-000	366-00431514-000	366-00431515-000	366-00431516-000	<b>1,212.78</b>	57



**371 Service Saddles**  
**Single Stud, All 304 Stainless Steel**  
**1/2" CC, 3/4" and 1" NPT and CC Taps**

Nom. Size Inches	O.D. Range Inches	Catalog Number				List Price	Approx Weight lbs.	
		1/2" CC	3/4" NPT	3/4" CC	1" NPT			1" CC
4	4.50-4.80	371-00048004-000	371-00048006-000	371-00048007-000	371-00048008-000	371-00048009-000	<b>\$98.35</b>	6
6	6.63-6.90	371-00069004-000	371-00069006-000	371-00069007-000	371-00069008-000	371-00069009-000	<b>141.41</b>	7
8	8.63-9.05	371-00090504-000	371-00090506-000	371-00090507-000	371-00090508-000	371-00090509-000	<b>143.60</b>	8
10	10.75-11.10	371-00111004-000	371-00111006-000	371-00111007-000	371-00111008-000	371-00111009-000	<b>175.46</b>	8
12	12.75-13.20	371-00132004-000	371-00132006-000	371-00132007-000	371-00132008-000	371-00132009-000	<b>179.41</b>	9



## 372 Service Saddles Double Stud, All 304 Stainless Steel

### 1/2", 3/4" and 1" NPT and CC Taps

Nom. Size Inches	O.D. Range Inches	Catalog Number					List Price	Wgt *
		1/2" CC	3/4" NPT	3/4" CC	1" NPT	1" CC		
4	4.50-4.80	372-00048004-000	372-00048006-000	372-00048007-000	372-00048008-000	372-00048009-000	<b>110.20</b>	5
6	6.63-6.90	372-00069004-000	372-00069006-000	372-00069007-000	372-00069008-000	372-00069009-000	<b>157.64</b>	7
8	8.63-9.05	372-00090504-000	372-00090506-000	372-00090507-000	372-00090508-000	372-00090509-000	<b>159.96</b>	7
10	10.75-11.10	372-00111004-000	372-00111006-000	372-00111007-000	372-00111008-000	372-00111009-000	<b>194.93</b>	8
12	12.75-13.20	372-00132004-000	372-00132006-000	372-00132007-000	372-00132008-000	372-00132009-000	<b>199.33</b>	9
14	15.20-15.30	372-00153004-000	372-00153006-000	372-00153007-000	372-00153008-000	372-00153009-000	<b>267.72</b>	10
16	17.32-17.46	372-00174004-000	372-00174006-000	372-00174007-000	372-00174008-000	372-00174009-000	<b>286.83</b>	12

### 1 1/4" and 1 1/2" NPT and CC Taps

Nom. Size Inches	O.D. Range Inches	Catalog Number				List Price	Wgt. *
		1 1/4" NPT	1 1/4" CC	1 1/2" NPT	1 1/2" CC		
4	4.50-4.80	372-00048010-000	372-00048011-000	372-00048012-000	372-00048013-000	<b>\$222.72</b>	6
6	6.63-6.90	372-00069010-000	372-00069011-000	372-00069012-000	372-00069013-000	<b>225.17</b>	6
8	8.63-9.05	372-00090510-000	372-00090511-000	372-00090512-000	372-00090513-000	<b>232.91</b>	7
10	10.75-11.10	372-00111010-000	372-00111011-000	372-00111012-000	372-00111013-000	<b>244.82</b>	8
12	12.75-13.20	372-00132010-000	372-00132011-000	372-00132012-000	372-00132013-000	<b>258.57</b>	9
14	15.20-15.30	372-00153010-000	372-00153011-000	372-00153012-000	372-00153013-000	<b>289.92</b>	11
16	17.32-17.46	372-00174010-000	372-00174011-000	372-00174012-000	372-00174013-000	<b>309.31</b>	12

### 2" NPT and CC Taps

Nominal Size Inches	O.D. Range Inches	Catalog Number		List Price	Approx. Weight lbs.
		2" NPT	2" CC		
4	4.50-4.80	372-00048014-000	372-00048015-000	<b>\$ 222.72</b>	6
6	6.63-6.90	372-00069014-000	372-00069015-000	<b>225.17</b>	6
8	8.63-9.05	372-00090514-000	372-00090515-000	<b>232.91</b>	7
10	10.75-11.10	372-00111014-000	372-00111015-000	<b>244.82</b>	8
12	12.75-13.20	372-00132014-000	372-00132015-000	<b>258.57</b>	9
14	15.20-15.30	372-00153014-000	372-00153015-000	<b>289.92</b>	11
16	17.32-17.46	372-00174014-000	372-00174015-000	<b>309.31</b>	12

\*All weights are approximate and in pounds.

## 377 Wide Range Service Saddle All Stainless Steel

### CC Taps: 1/2", 3/4", 1", 1 1/4", 1 1/2", 2"

Nominal Size	O.D. Range (Inches)	1/2" CC	3/4" CC	1" CC	List Price	Approx Weight Lbs.
4	4.45-5.14	377-00045004-000	377-00045007-000	377-00045009-000	<b>\$181</b>	7
	4.75-5.45	377-00048004-000	377-00048007-000	377-00048009-000		7
6	6.56-7.36	377-00066304-000	377-00066307-000	377-00066309-000	<b>191</b>	7
	6.83-7.63	377-00069004-000	377-00069007-000	377-00069009-000		8
8	8.54-9.34	377-00086304-000	377-00086307-000	377-00086309-000	<b>204</b>	8
	8.99-9.79	377-00090504-000	377-00090507-000	377-00090509-000		8
10	10.64-11.54	377-00107504-000	377-00107507-000	377-00107509-000	<b>216</b>	9
	11.34-12.24	377-00114004-000	377-00114007-000	377-00114009-000		9
12	12.62-13.57	377-00127504-000	377-00127507-000	377-00127509-000	<b>233</b>	10
	13.44-14.39	377-00135004-000	377-00135007-000	377-00135009-000		11

5/8" outlet, Tap Code 05, available upon request

Nominal Size	O.D. Range (Inches)	1-1/4" CC	1-1/2" CC	2" CC	List Price	Approx Weight Lbs.
4	4.45-5.14	377-00045011-000	377-00045013-000	377-00045015-000	<b>\$233</b>	7
	4.75-5.45	377-00048011-000	377-00048013-000	377-00048015-000		7
6	6.56-7.36	377-00066311-000	377-00066313-000	377-00066315-000	<b>236</b>	7
	6.83-7.63	377-00069011-000	377-00069013-000	377-00069015-000		8
8	8.54-9.34	377-00086311-000	377-00086313-000	377-00086315-000	<b>244</b>	8
	8.99-9.79	377-00090511-000	377-00090513-000	377-00090515-000		8
10	10.64-11.54	377-00107511-000	377-00107513-000	377-00107515-000	<b>256</b>	9
	11.34-12.24	377-00114011-000	377-00114013-000	377-00114015-000		9
12	12.62-13.57	377-00127511-000	377-00127513-000	377-00127515-000	<b>271</b>	10
	13.44-14.39	377-00135011-000	377-00135013-000	377-00135015-000		11

5/8" outlet, Tap Code 05, available upon request

**377 Wide Range Service Saddles**  
**All Stainless Steel**  
**NPT Taps: 3/4", 1", 1 1/4", 1 1/2", 2"**

Nominal Size	O.D. Range (Inches)	3/4" NPT	1" NPT	List Price	Approx Weight Lbs.
4	4.45-5.14	377-00045006-000	377-00045008-000	<b>\$181</b>	7
	4.75-5.45	377-00048006-000	377-00048008-000		7
6	6.56-7.36	377-00066306-000	377-00066308-000	<b>191</b>	7
	6.83-7.63	377-00069006-000	377-00069008-000		8
8	8.54-9.34	377-00086306-000	377-00086308-000	<b>204</b>	8
	8.99-9.79	377-00090506-000	377-00090508-000		8
10	10.64-11.54	377-00107506-000	377-00107508-000	<b>216</b>	9
	11.34-12.24	377-00114006-000	377-00114008-000		9
12	12.62-13.57	377-00127506-000	377-00127508-000	<b>233</b>	10
	13.44-14.39	377-00135006-000	377-00135008-000		11

Nominal Size	O.D. Range (Inches)	1-1/4" NPT	1-1/2" NPT	2" NPT	List Price	Approx Weight Lbs.
4	4.45-5.14	377-00045010-000	377-00045012-000	377-00045014-000	<b>\$233</b>	7
	4.75-5.45	377-00048010-000	377-00048012-000	377-00048014-000		7
6	6.56-7.36	377-00066310-000	377-00066312-000	377-00066314-000	<b>236</b>	7
	6.83-7.63	377-00069010-000	377-00069012-000	377-00069014-000		8
8	8.54-9.34	377-00086310-000	377-00086312-000	377-00086314-000	<b>244</b>	8
	8.99-9.79	377-00090510-000	377-00090512-000	377-00090514-000		8
10	10.64-11.54	377-00107510-000	377-00107512-000	377-00107514-000	<b>256</b>	9
	11.34-12.24	377-00114010-000	377-00114012-000	377-00114014-000		9
12	12.62-13.57	377-00127510-000	377-00127512-000	377-00127514-000	<b>271</b>	10
	13.44-14.39	377-00135010-000	377-00135012-000	377-00135014-000		11



## 397 Service Saddles For Steel and DI Size PVC Ductile Iron Body, Double Wide 304 Stainless Steel Strap

### 3/4" and 1" NPT and CC Taps

Nominal Size Inches	O.D. Inches	Catalog Number				List Price	Approx Weight Lbs.
		3/4" NPT	3/4" CC	1" NPT	1" CC		
2	2.38	397-00023806-000	397-00023807-000	397-00023808-000	397-00023809-000	<b>\$ 128.45</b>	5
4	4.50	397-00045006-000	397-00045007-000	397-00045008-000	397-00045009-000	<b>129.49</b>	5
	4.80	397-00048006-000	397-00048007-000	397-00048008-000	397-00048009-000	<b>129.49</b>	5
6	6.63	397-00066306-000	397-00066307-000	397-00066308-000	397-00066309-000	<b>147.50</b>	6
	6.90	397-00069006-000	397-00069007-000	397-00069008-000	397-00069009-000	<b>147.50</b>	6
8	8.63	397-00086306-000	397-00086307-000	397-00086308-000	397-00086309-000	<b>171.51</b>	6
	9.05	397-00090506-000	397-00090507-000	397-00090508-000	397-00090509-000	<b>171.51</b>	6
10	10.75	397-00107506-000	397-00107507-000	397-00107508-000	397-00107509-000	<b>207.13</b>	10
	11.10	397-00111006-000	397-00111007-000	397-00111008-000	397-00111009-000	<b>207.13</b>	11
12	12.75	397-00127506-000	397-00127507-000	397-00127508-000	397-00127509-000	<b>241.06</b>	10
	13.20	397-00132006-000	397-00132007-000	397-00132008-000	397-00132009-000	<b>241.06</b>	10

### 1 1/4" NPT and CC - 1 1/2" NPT and CC Taps

Nominal Size Inches	O.D. Inches	Catalog Number				List Price	Approx Weight Lbs.
		1 1/4" NPT	1 1/4" CC	1 1/2" NPT	1 1/2" CC		
4	4.50	397-00045010-000	397-00045011-000	397-00045012-000	397-00045013-000	<b>\$154.62</b>	6
	4.80	397-00048010-000	397-00048011-000	397-00048012-000	397-00048013-000	<b>154.62</b>	7
6	6.63	397-00066310-000	397-00066311-000	397-00066312-000	397-00066313-000	<b>174.00</b>	7
	6.90	397-00069010-000	397-00069011-000	397-00069012-000	397-00069013-000	<b>174.00</b>	7
8	8.63	397-00086310-000	397-00086311-000	397-00086312-000	397-00086313-000	<b>198.87</b>	8
	9.05	397-00090510-000	397-00090511-000	397-00090512-000	397-00090513-000	<b>198.87</b>	8
10	10.75	397-00107510-000	397-00107511-000	397-00107512-000	397-00107513-000	<b>222.83</b>	10
	11.10	397-00111010-000	397-00111011-000	397-00111012-000	397-00111013-000	<b>222.83</b>	11
12	12.75	397-00127510-000	397-00127511-000	397-00127512-000	397-00127513-000	<b>258.17</b>	10
	13.20	397-00132010-000	397-00132011-000	397-00132012-000	397-00132013-000	<b>258.17</b>	10

### 2" NPT and CC Taps

Nominal Size Inches	O.D. Inches	Catalog Number		List Price	Appr. Wt. Lbs.
		2" NPT	2" CC		
4	4.50	397-00045014-000	397-00045015-000	<b>\$154.62</b>	6
	4.80	397-00048014-000	397-00048015-000	<b>154.62</b>	7
6	6.63	397-00066314-000	397-00066315-000	<b>174.00</b>	7
	6.90	397-00069014-000	397-00069015-000	<b>174.00</b>	7
8	8.63	397-00086314-000	397-00086315-000	<b>198.87</b>	8
	9.05	397-00090514-000	397-00090515-000	<b>198.87</b>	8
10	10.75	397-00107514-000	397-00107515-000	<b>222.83</b>	10
	11.10	397-00111014-000	397-00111015-000	<b>222.83</b>	11
12	12.75	397-00127514-000	397-00127515-000	<b>258.17</b>	10
	13.20	397-00132014-000	397-00132015-000	<b>258.17</b>	10



## 411 Steel Couplings For Steel Pipe

Nominal Size Inches	O.D. Inches	Sleeve Thickness & Length Inches	Bolts		Catalog Number	Alloy			Approx Weight Lbs.	
			No.	Diameter Length Inches		Bolts & Nuts	304 Stainless Steel	316 Stainless Steel		
						-003 List Price	-031 List Price	-043 List Price		
*1/2	0.84	.120 x 4 1/2	2	1/2 x 7	411-00008401	\$49.47	\$98.70	\$198.41	3	
		.120 x 12	2	1/2 x 14	411-00008410	113.46	198.57	259.21	4	
*3/4	1.05	.120 x 4 1/2	2	1/2 x 7	411-00010501	56.60	105.83	205.60	3	
		.120 x 12	2	1/2 x 14	411-00010510	117.51	202.60	263.31	5	
*1	1.32	.120 x 5	2	1/2 x 7	411-00013201	58.56	107.79	207.59	4	
		.120 x 12	2	1/2 x 14	411-00013210	118.71	203.82	264.54	5	
*1 1/4	1.66	.120 x 5	2	1/2 x 7	411-00016601	61.32	110.55	210.38	4	
		.120 x 12	2	1/2 x 14	411-00016610	132.52	217.61	278.46	7	
*1 1/2	1.9	.120 x 5	2	1/2 x 7	411-00019001	73.22	122.45	222.41	4	
		.120 x 12	2	1/2 x 14	411-00019010	154.73	239.82	300.89	8	
*2	2	.120 x 5	2	1/2 x 7	411-00020001	80.62	129.85	229.88	5	
		.120 x 12	2	1/2 x 14	411-00020010	166.05	251.14	312.32	8	
*2	2.38	.120 x 5	2	1/2 x 7	411-00023801	82.96	132.21	232.24	5	
		.120 x 5	2	5/8 x 8	411-00023851	93.80	141.27	200.45	6	
		.120 x 7	2	5/8 x 10 1/2	411-00023821	106.60	168.53	234.53	6	
		.120 x 12	2	5/8 x 15	411-00023841	129.94	207.92	286.66	10	
		.120 x 5	3	5/8 x 8	411-00023861	106.07	177.25	265.71	7	
		.120 x 7	3	5/8 x 10 1/2	411-00023802	125.66	218.56	317.22	10	
2 1/2	2.88	.203 x 5	3	5/8 x 8	411-00028801	128.18	199.37	295.14	13	
		.203 x 12	3	5/8 x 15	411-00028810	203.06	320.01	360.51	17	
3	3.00	.203 x 5	3	5/8 x 8	411-00030001	133.80	204.98	293.71	13	
3	3.50	.180 x 5	3	5/8 x 6	†411-90035001	134.25	188.38	332.63	12	
		.180 x 5	4	5/8 x 8	411-00035051	161.08	255.98	374.12	12	
		.180 x 7	4	5/8 x 10 1/2	411-00035002	169.90	293.74	425.30	15	
		.180 x 12	3	5/8 x 15	†411-90035010	236.46	385.82	550.11	21	
4	4	.188 x 5	4	5/8 x 8	411-00040001	161.45	256.35	374.48	18	
		.188 x 12	4	5/8 x 15	411-00040010	285.61	441.56	599.31	25	
4	4.50	.188 x 5	4	5/8 x 6	†411-90045001	169.62	241.78	434.03	13	
		.188 x 7	4	5/8 x 8	†411-90045002	190.65	285.54	403.97	14	
		.188 x 12	4	5/8 x 13 1/2	†411-90045010	300.31	499.45	621.33	22	
		.188 x 16	4	5/8 x 17	†411-90045011	402.83	663.92	755.91	28	
		.188 x 24	4	5/8 x 25	†411-90045012	556.56	940.61	1,304.34	39	
5	5.00	1/4 x 5	4	5/8 x 8	411-00050001	224.46	319.35	438.11	21	
		1/4 x 12	4	5/8 x 15	411-00050010	335.15	491.09	649.32	30	
5	5.56	1/4 x 5	4	5/8 x 8	411-00055601	224.46	319.35	438.11	21	
		1/4 x 7	4	5/8 x 10 1/2	411-00055602	247.25	371.11	503.42	24	
		1/4 x 10	4	5/8 x 13 1/2	411-00055603	435.68	669.59	758.03	32	
		1/4 x 16	4	5/8 x 19 1/2	411-00055611	523.14	816.30	1,102.34	41	
		1/4 x 24	4	5/8 x 27 1/2	411-00055612	736.65	1,157.23	1,505.10	52	
6	6.63	1/4 x 5	6	5/8 x 6	†411-90066301	229.38	337.65	625.76	23	
		1/4 x 7	6	5/8 x 8	†411-90066302	252.20	394.54	571.85	26	
		1/4 x 10	6	5/8 x 10 1/2	†411-90066303	442.82	628.61	827.79	35	
		1/4 x 16	6	5/8 x 17	†411-90066311	535.07	926.70	1,064.00	43	
		1/4 x 24	6	5/8 x 25	†411-90066312	750.29	1,326.36	1,499.99	65	

†Couplings furnished with steel "Z" section, High Strength Followers. Buna N Protected Gaskets priced on application. Suitable anchorage must be provided when excessive pipe movement could cause the pipe to move out of the coupling.

\*Note: 1/2"-2" have electro-galvanized bolts and nuts.



## 411 Steel Couplings For Steel Pipe

Nominal Size Inches	O.D. Inches	Sleeve		Bolts		Catalog Number	Alloy	304 SS	316 SS	Approx Weight Lbs.
		Thickness & Length Inches	No.	Diameter Length Inches	Bolts & Nuts -003 List Price		Bolts & -031 List Price	Bolts & Nuts -043 List Price		
8	8.63	1/4 x 5	6	5/8 x 6	†411-90086301	\$ 270.60	\$ 378.86	\$ 667.36	28	
		1/4 x 7	6	5/8 x 8	†411-90086302	292.11	434.45	612.15	32	
		1/4 x 10	6	5/8 x 10 1/2	†411-90086303	516.59	702.38	827.79	42	
		1/4 x 16	6	5/8 x 17	†411-90086311	744.18	1,135.80	1,275.15	57	
		1/4 x 24	6	5/8 x 25	†411-90086312	1020.92	1,596.99	2,144.43	74	
10	10.00	1/4 x 5	8	5/8 x 8	411-00100001	332.17	521.98	758.34	33	
		1/4 x 7	8	5/8 x 10 1/2	411-00100002	359.76	607.48	870.78	38	
		1/4 x 10	8	5/8 x 13 1/2	411-00100003	528.90	927.21	1,170.26	50	
		1/4 x 16	8	5/8 x 19 1/2	411-00100011	968.64	1,554.97	2,126.29	67	
		1/4 x 24	8	5/8 x 27 1/2	411-00100012	1,189.98	2,031.15	2,724.11	97	
10	10.75	1/4 x 5	8	5/8 x 6	†411-90107501	332.17	476.52	860.91	34	
		1/4 x 7	8	5/8 x 8	†411-90107502	384.35	574.16	811.03	40	
		3/8 x 7	8	5/8 x 8	†411-90107507	452.74	642.56	880.10	49	
		1/4 x 10	8	5/8 x 10 1/2	†411-90107503	587.32	835.03	1029.14	52	
		1/4 x 16	8	5/8 x 17	†411-90107511	971.68	1,493.85	1,679.45	71	
		1/4 x 24	8	5/8 x 25	†411-90107512	1,220.81	1,988.90	2,717.45	86	
12	12.00	1/4 x 5	8	5/8 x 8	411-00120001	529.20	711.71	939.49	37	
		1/4 x 7	8	5/8 x 10 1/2	411-00120002	578.81	817.01	1,070.73	44	
		1/4 x 10	8	5/8 x 13 1/2	411-00120003	707.24	1,105.57	1,350.35	56	
		1/4 x 16	8	5/8 x 19 1/2	411-00120011	1,162.37	1,748.68	2,321.91	77	
		1/4 x 24	8	5/8 x 27 1/2	411-00120012	1,285.36	2,126.54	2,820.44	108	
12	12.75	1/4 x 5	8	5/8 x 6	†411-90127501	393.62	537.99	922.98	39	
		1/4 x 7	8	5/8 x 8	†411-90127502	418.20	608.00	845.22	46	
		3/8 x 7	8	5/8 x 8	†411-90127507	648.83	896.54	1,161.52	52	
		1/4 x 10	8	5/8 x 10 1/2	†411-90127503	710.47	958.20	1,227.44	59	
		1/4 x 16	8	5/8 x 17	†411-90127511	1,177.75	1,699.92	1,887.55	81	
		1/4 x 24	8	5/8 x 25	†411-90127512	1,343.73	2,111.81	2,841.57	113	
		3/8 x 24	8	5/8 x 25	†411-90127516	1,389.87	2,157.97	2,437.88	148	
14	14.00	1/4 x 5	6	5/8 x 8	411-00140001	562.74	705.10	885.44	41	
		1/4 x 7	6	5/8 x 10 1/2	411-00140002	596.58	782.37	983.04	48	
		3/8 x 7	6	5/8 x 10 1/2	411-00140007	781.07	966.86	1,169.34	75	
		3/8 x 10	6	5/8 x 13 1/2	411-00140008	944.03	1,242.78	1,430.43	94	
		3/8 x 16	6	5/8 x 19 1/2	411-00140015	1,540.53	1,950.50	2,416.74	126	
		3/8 x 24	6	5/8 x 27 1/2	411-00140016	1,995.69	2,626.58	3,157.12	171	
16	16.00	1/4 x 7	8	5/8 x 10 1/2	411-00160002	728.72	976.44	1,243.36	56	
		3/8 x 7	8	5/8 x 10 1/2	411-00160007	842.54	1,090.25	1,358.28	87	
		1/4 x 10	8	5/8 x 13 1/2	411-00160003	861.03	1,259.34	1,505.65	72	
		3/8 x 10	8	5/8 x 13 1/2	411-00160008	1,057.75	1,456.06	1,704.29	108	
		3/8 x 16	8	5/8 x 19 1/2	411-00160015	1,725.06	2,311.38	2,890.13	146	
		3/8 x 24	8	5/8 x 27 1/2	411-00160016	2,250.85	2,600.17	2,893.79	218	
18	18.00	1/4 x 7	8	5/8 x 10 1/2	411-00180002	759.56	1007.28	1,274.48	81	
		3/8 x 7	8	5/8 x 10 1/2	411-00180007	937.88	1,185.60	1,454.57	96	
		1/4 x 10	8	5/8 x 13 1/2	411-00180003	1,063.94	1,461.90	1,710.54	109	
		3/8 x 10	8	5/8 x 13 1/2	411-00180008	1,187.01	1,585.33	1,834.82	119	





## 411 Steel Couplings For Steel Pipe

Nominal Size Inches	O.D. Inches	Sleeve Thickness & Length Inches	Bolts		Catalog Number	Alloy	304 SS	316 SS	Approx. Weight Lbs.
			No.	Diameter & Length		Bolts & Nuts -003 List Price	Bolts & -031 List Price	Bolts & Nuts -043 List Price	
18	18.00	3/8 x 16	8	5/8 x 19 1/2	411-00180015	\$1,937.26	\$2,523.59	\$3,104.41	160
		3/8 x 24	8	5/8 x 27 1/2	411-00180016	2,564.55	3,405.71	4,112.16	223
20	20.00	1/4 x 7	10	5/8 x 10 1/2	411-00200002	925.53	1,235.18	1,568.97	91
		3/8 x 7	10	5/8 x 10 1/2	411-00200007	1030.16	1,339.79	1,674.61	107
		1/4 x 10	10	5/8 x 13 1/2	411-00200003	1,097.80	1,595.69	1,903.76	122
		3/8 x 10	10	5/8 x 13 1/2	411-00200008	1,313.03	1,810.90	2,121.11	134
		3/8 x 16	10	5/8 x 19 1/2	411-00200015	2,090.99	2,823.89	3,546.68	180
		3/8 x 24	10	5/8 x 27 1/2	411-00200016	2,951.92	3,388.55	3,756.93	245
22	22.00	1/4 x 7	10	5/8 x 10 1/2	411-00220002	993.20	1302.85	1637.33	98
		3/8 x 7	10	5/8 x 10 1/2	411-00220007	1,374.50	1,688.82	2,022.33	118
		1/4 x 10	10	5/8 x 13 1/2	411-00220003	1,432.90	1,930.79	2,242.17	132
		3/8 x 10	10	5/8 x 13 1/2	411-00220008	1,718.85	2,216.74	2,530.91	145
		3/8 x 16	10	5/8 x 19 1/2	411-00220015	2,284.68	3,017.60	3,742.28	196
		3/8 x 24	10	5/8 x 27 1/2	411-00220016	3,447.02	4,498.48	5,383.91	265
24	24.00	1/4 x 7	10	5/8 x 10 1/2	411-00240002	1,156.16	1,465.82	1,801.86	106
		3/8 x 7	10	5/8 x 10 1/2	411-00240007	1,466.77	1,776.41	2,115.51	125
		1/4 x 10	10	5/8 x 13 1/2	411-00240003	1,531.35	2,029.23	2,341.56	142
		3/8 x 10	10	5/8 x 13 1/2	411-00240008	1,875.34	2,395.01	2,751.45	156
		3/8 x 16	10	5/8 x 19 1/2	411-00240015	2,423.12	3,156.03	3,882.07	210
		3/8 x 24	10	5/8 x 27 1/2	411-00240016	3,557.75	4,609.23	5,495.72	286
30	30.00	3/8 x 7	12	5/8 x 10 1/2	411-00300007	1,757.81	2,245.11	2,529.62	155
		3/8 x 10	12	5/8 x 13 1/2	411-00300008	1,913.27	2,495.00	2,897.36	187
36	36.00	3/8 x 7	16	5/8 x 10 1/2	411-00360007	2,269.82	2,916.76	3,295.03	183
		3/8 x 10	16	5/8 x 13 1/2	411-00360008	2,669.84	3,433.77	3,853.20	225
42	42.00	3/8 x 7	18	5/8 x 10 1/2	411-00420007	2,651.43	3,376.15	3,696.30	216
		3/8 x 10	18	5/8 x 13 1/2	411-00420008	3,148.90	4,008.39	4,598.66	262
48	48.00	3/8 x 10	20	5/8 x 13 1/2	411-00480008	3,124.66	4,046.95	4,698.17	308
		3/8 x 16	20	5/8 x 19 1/2	411-00480015	3,984.25	5,419.29	6,659.09	308



## 411 Steel Couplings For Ductile Iron Pipe

Nominal Size Inches	O.D. Inch e	Sleeve Thickness & Length Inches	Bolts		Catalog Number	Alloy Bolts & Nuts -003 List Price	304 S/S Bolts & Nuts -031 List Price	316 S/S Bolts & Nuts -043 List Price	Approx. Weight Lbs.
			No.	Diameter & Length					
2	2.50	.203 x 7	2	5/8 x 10 1/2	411-00025002	\$169.37	\$231.29	\$297.90	14
2	2.50	.203 x 10	2	5/8 x 13 1/2	411-00025003	234.44	334.02	395.79	16
2 1/2	2.75	.203 x 7	3	5/8 x 10 1/2	411-00027502	181.39	274.28	373.47	15
2 1/2	2.75	.203 x 10	3	5/8 x 13 1/2	411-00027503	247.71	397.07	488.69	18
3	3.80	.237 x 7	3	5/8 x 10 1/2	411-00038002	246.46	322.19	377.31	20
3	3.80	.237 x 10	3	5/8 x 13 1/2	411-00038003	332.57	449.53	535.58	25
3-4	3.96	.188 x 7	4	5/8 x 10 1/2	411-00039602	254.54	378.40	510.80	22
3-4	3.96	.188 x 10	4	5/8 x 13 1/2	411-00039603	349.87	530.86	671.37	26
4	4.13	.188 x 7	4	5/8 x 10 1/2	411-00041302	264.52	378.13	459.77	22
4	4.13	.188 x 10	4	5/8 x 13 1/2	411-00041303	355.43	549.02	658.54	27
4	4.80	1/4 x 7	4	5/8 x 10 1/2	411-00048002	325.32	449.18	582.27	27
4	4.80	1/4 x 10	4	5/8 x 13 1/2	411-00048003	434.55	633.72	756.89	33
4	5.00	1/4 x 7	4	5/8 x 10 1/2	411-00050002	325.32	449.18	582.27	27
4	5.00	1/4 x 10	4	5/8 x 13 1/2	411-00050003	434.55	633.72	756.89	33
4-5	5.10	1/4 x 7	4	5/8 x 10 1/2	411-00051002	330.39	481.87	590.52	28
4-5	5.10	1/4 x 10	4	5/8 x 13 1/2	411-00051003	438.36	672.27	842.17	33
6	6.90	1/4 x 7	5	5/8 x 10 1/2	411-00069002	368.27	523.09	689.05	38
6	6.90	1/4 x 10	5	5/8 x 13 1/2	411-00069003	570.85	819.81	974.06	45
6	7.10	1/4 x 7	5	5/8 x 10 1/2	411-00071002	416.49	571.32	737.76	39
6	7.10	1/4 x 10	5	5/8 x 13 1/2	411-00071003	640.92	889.86	1044.80	46
6	7.20	1/4 x 7	5	5/8 x 10 1/2	411-00072002	505.62	660.43	827.76	39
6	7.20	1/4 x 10	5	5/8 x 13 1/2	411-00072003	732.84	981.78	1,137.62	47
8	9.05	1/4 x 7	6	5/8 x 10 1/2	411-00090502	547.29	733.09	933.29	49
8	9.05	1/4 x 10	6	5/8 x 13 1/2	411-00090503	836.21	1134.95	1321.53	60
8	9.15	1/4 x 7	6	5/8 x 10 1/2	411-00091502	550.10	735.87	936.11	49
8	9.15	1/4 x 10	6	5/8 x 13 1/2	411-00091503	840.58	1,139.32	1,325.95	60
8	9.42	1/4 x 7	6	5/8 x 10 1/2	411-00094202	560.97	746.77	947.10	51
8	9.42	1/4 x 10	6	5/8 x 13 1/2	411-00094203	846.15	1144.89	1331.58	61
10	11.10	1/4 x 7	7	5/8 x 10 1/2	411-00111002	612.92	829.67	1,062.98	60
10	11.10	1/4 x 10	7	5/8 x 13 1/2	411-00111003	909.86	1,258.38	1,475.42	72
10	11.40	1/4 x 7	7	5/8 x 10 1/2	411-00114002	637.33	853.99	1087.64	62
10	11.40	1/4 x 10	7	5/8 x 13 1/2	411-00114003	930.45	1278.96	1496.22	73
10	11.95	1/4 x 7	8	5/8 x 10 1/2	411-00119502	655.73	903.44	1,169.63	65
10	11.95	1/4 x 10	8	5/8 x 13 1/2	411-00119503	948.24	1,346.56	1,593.71	78
12	13.20	3/8 x 7	8	5/8 x 10 1/2	411-00132007	787.20	1006.15	1302.41	71
12	13.20	3/8 x 10	8	5/8 x 13 1/2	411-00132008	965.28	1363.58	1610.91	86
12	13.50	3/8 x 7	8	5/8 x 10 1/2	411-00135007	793.35	1041.05	1,308.60	73
12	13.50	3/8 x 10	8	5/8 x 13 1/2	411-00135008	975.67	1,373.98	1,621.40	88
12-14	13.92	3/8 x 7	8	5/8 x 10 1/2	411-00139207	820.35	1055.03	1323.68	75
12-14	13.92	3/8 x 10	8	5/8 x 13 1/2	411-00139208	1002.75	1401.06	1648.74	91
14	15.30	3/8 x 7	8	5/8 x 10 1/2	411-00153007	830.27	1,077.99	1,345.90	86
		3/8 x 10	8	5/8 x 13 1/2	411-00153008	1,057.14	1,455.45	1,752.29	107
		3/8 x 16	8	5/8 x 19 1/2	411-00153015	1,657.43	2,243.75	2,821.82	144
		3/8 x 24	8	5/8 x 27 1/2	411-00153016	2,189.37	3,030.53	3,733.30	196
14	15.65	3/8 x 7	8	5/8 x 10 1/2	411-00156507	845.62	1093.33	1345.90	109
		3/8 x 10	8	5/8 x 13 1/2	411-00156508	1105.29	1503.59	1703.67	109
		3/8 x 16	8	5/8 x 19 1/2	411-00156515	1688.17	2274.50	2852.87	146
		3/8 x 24	8	5/8 x 27 1/2	411-00156516	2250.85	3092.04	3795.40	200

Suitable anchorage must be provided when excessive pipe movement could cause the pipe to move out of the coupling.



## 411 Steel Couplings For Ductile Iron Pipe

Nominal Size Inches	O.D. Inches	Sleeve Thickness & Length Inches	Bolts		Catalog Number	Alloy Bolts &	304 SS Bolts & Nuts	316 SS Bolts & Nut	Approx. Wt. Lbs.
			No.	Diameter & Length		-003 List Price	-031 List Price	-043 List Price	
16	17.40	3/8 x 7	8	5/8 x 10 1/2	411-00174007	\$919.49	\$1,167.20	\$1,435.99	92
		3/8 x 10	8	5/8 x 13 1/2	411-00174008	1,150.09	1,548.39	1,797.53	119
		3/8 x 16	8	5/8 x 19 1/2	411-00174015	1,838.83	2,425.14	3,005.01	160
		3/8 x 24	8	5/8 x 27 1/2	411-00174016	2,469.20	2,818.50	3,114.27	218
16	17.80	3/8 x 7	8	5/8 x 10 1/2	411-00178007	931.69	1,179.41	1,448.33	92
		3/8 x 10	8	5/8 x 13 1/2	411-00178008	1,162.37	1,560.68	1,809.93	120
		3/8 x 16	8	5/8 x 19 1/2	411-00178015	1,860.39	2,446.72	3,026.79	162
		3/8 x 24	8	5/8 x 27 1/2	411-00178016	2,530.71	3,124.17	4,077.98	221
18	19.50	3/8 x 7	10	5/8 x 10 1/2	411-00195007	1011.68	1,321.33	1,655.97	107
		3/8 x 10	10	5/8 x 13 1/2	411-00195008	1,263.80	1,761.69	2,071.39	133
		3/8 x 16	10	5/8 x 19 1/2	411-00195015	2,035.64	2,768.55	3,490.79	179
		3/8 x 24	10	5/8 x 27 1/2	411-00195016	2,687.54	3,582.18	3,489.97	245
18	19.92	3/8 x 7	10	5/8 x 10 1/2	411-00199207	1027.03	1,336.67	1,671.45	105
		3/8 x 10	10	5/8 x 13 1/2	411-00199208	1,285.36	1,783.25	2,093.16	127
		3/8 x 16	10	5/8 x 19 1/2	411-00199215	2,063.38	2,796.29	3,518.80	182
		3/8 x 24	10	5/8 x 27 1/2	411-00199216	2,782.87	3,834.33	4,713.25	249
20	21.60	3/8 x 7	10	5/8 x 10 1/2	411-00216007	1,362.24	1,671.87	2,009.95	117
		3/8 x 10	10	5/8 x 13 1/2	411-00216008	1,703.50	2,201.39	2,515.40	145
		3/8 x 16	10	5/8 x 19 1/2	411-00216015	2,152.51	2,885.42	3,608.87	195
		3/8 x 24	10	5/8 x 27 1/2	411-00216016	3,422.44	3,859.07	4,232.08	266
20	22.06	3/8 x 7	10	5/8 x 10 1/2	411-00220607	1,383.72	1,693.38	2,031.67	119
		3/8 x 10	10	5/8 x 13 1/2	411-00220608	1,728.12	2,226.01	2,540.28	148
		3/8 x 16	10	5/8 x 19 1/2	411-00220615	2,318.51	3,051.42	3,776.43	200
		3/8 x 24	10	5/8 x 27 1/2	411-00220616	3,480.91	3,917.54	4,291.12	271
24	25.80	3/8 x 7	12	5/8 x 10 1/2	411-00258007	1,577.45	1,949.01	2,354.14	138
		3/8 x 10	12	5/8 x 13 1/2	411-00258008	1,974.47	2,571.92	2,948.07	171
		3/8 x 16	12	5/8 x 19 1/2	411-00258015	2,518.43	3,397.92	4,265.35	231
		3/8 x 24	12	5/8 x 27 1/2	411-00258016	3,671.55	4,195.50	4,638.85	315
24	26.32	3/8 x 7	12	5/8 x 10 1/2	411-00263207	1,635.92	2,007.48	2,413.19	138
		3/8 x 10	12	5/8 x 13 1/2	411-00263208	2,041.77	2,639.22	3,016.02	174
		3/8 x 16	12	5/8 x 19 1/2	411-00263215	2,536.85	3,357.30	4,283.96	235
		3/8 x 24	12	5/8 x 27 1/2	411-00263216	3,788.37	5,050.13	6,109.22	300
30	32.00	3/8 x 7	14	5/8 x 10 1/2	411-00320007	1,837.56	2,401.18	2,743.92	166
		3/8 x 10	14	5/8 x 13 1/2	411-00320008	2,448.94	3,046.41	3,230.38	201
36	38.30	3/8 x 7	16	5/8 x 10 1/2	411-00383007	2,390.40	3,036.06	3,415.23	196
		3/8 x 10	16	5/8 x 13 1/2	411-00383008	2,691.14	3,473.73	3,997.56	237
42	44.50	3/8 x 7	18	5/8 x 10 1/2	411-00445007	2,745.98	3,391.65	3,817.98	228
		3/8 x 10	18	5/8 x 13 1/2	411-00445008	2,988.72	4,127.99	4,724.61	287
48	50.80	3/8 x 10	20	5/8 x 13 1/2	411-00508008	3,534.14	4,522.93	5,333.32	317
		3/8 x 16	20	5/8 x 19 1/2	411-00508015	4,587.81	6,350.58	7,881.14	375

Suitable anchorage must be provided when excessive pipe movement could cause the pipe to move out of the coupling.



## 413 Steel Transition Couplings Alloy Bolts & Nuts

Nominal Size Inches	O.D. Range of Coupling as Furnished			Catalog Number	List Price	Approx. Weight Lbs.
	Large End	X	Small End			
2	1.94-2.06		1.94-2.06	413-02000200-103	<b>\$165.69</b>	8
	2.07-2.19		2.07-2.19	413-02130213-103	<b>165.69</b>	
	2.19-2.31		1.94-2.06	413-02250200-103	<b>165.69</b>	
	2.19-2.31		2.19-2.31	413-02250225-103	<b>165.69</b>	
	2.32-2.44		1.94-2.06	413-02380200-103	<b>165.69</b>	
	2.32-2.44		2.07-2.19	413-02380213-103	<b>165.69</b>	
	2.32-2.44		2.32-2.44	413-02380238-103	<b>165.69</b>	
	2.44-2.56		2.32-2.44	413-02500238-103	<b>165.69</b>	
	2.50-2.65		2.32-2.44	413-02630238-103	<b>165.69</b>	
	2.50-2.65		2.44-2.56	413-02630250-103	<b>165.69</b>	
	2.50-2.65		2.50-2.65	413-02630263-103	<b>165.69</b>	
	2.69-2.81		2.07-2.19	413-02750213-103	<b>165.69</b>	
	2.69-2.81		2.32-2.44	413-02750238-103	<b>165.69</b>	
	2.69-2.81		2.44-2.56	413-02750250-103	<b>165.69</b>	
2.69-2.81		2.69-2.81	413-02750275-103	<b>165.69</b>		
2-3	2.81-2.94		2.32-2.44	413-02880238-103	<b>218.65</b>	10
	2.81-2.94		2.44-2.56	413-02880250-103	<b>218.65</b>	
	2.81-2.94		2.69-2.81	413-02880275-103	<b>218.65</b>	
	2.94-3.06		2.81-2.94	413-03000288-103	<b>218.65</b>	
	2.96-3.15		2.96-3.15	413-03130313-103	<b>218.65</b>	
	3.15-3.28		3.15-3.28	413-03250325-103	<b>218.65</b>	
	3.44-3.56		2.81-2.94	413-03500288-103	<b>218.65</b>	
	3.44-3.56		2.94-3.06	413-03500300-103	<b>218.65</b>	
	3.44-3.56		2.96-3.15	413-03500313-103	<b>218.65</b>	
	3.44-3.56		3.15-3.28	413-03500325-103	<b>218.65</b>	
	3.44-3.56		3.44-3.56	413-03500350-103	<b>218.65</b>	
	3.75-3.88		2.69-2.81	413-03800275-103	<b>218.65</b>	
	3.75-3.88		2.81-2.94	413-03800288-103	<b>218.65</b>	
	3.75-3.88		2.94-3.06	413-03800300-103	<b>218.65</b>	
	3.75-3.88		2.96-3.15	413-03800313-103	<b>218.65</b>	
	3.75-3.88		3.15-3.28	413-03800325-103	<b>218.65</b>	
3.75-3.88		3.44-3.56	413-03800350-103	<b>218.65</b>		

To select the proper coupling, find the OD ranges for the outside diameters of both pieces of pipe. Select the coupling with the large end OD range to fit one pipe and a small end OD to fit the other pipe. Order using the part number for the listed coupling. If the OD range you want is not available, order by stating the transition range for the part number you need.



## 413 Steel Transition Couplings Alloy Bolts & Nuts

Nominal Size Inches	O.D. Range of Coupling as Furnished			Catalog Number	List Price	Approx. Weight Lbs.
	Large End	X	Small End			
3-4	3.94-4.06		3.44-3.56	413-04000350-103	\$243.66	13
	4.07-4.19		3.44-3.56	413-04130350-103	243.66	
	4.07-4.19		3.75-3.88	413-04130380-103	243.66	
	4.07-4.19		3.94-4.06	413-04130400-103	243.66	
	4.07-4.19		4.07-4.19	413-04130413-103	243.66	
	4.19-4.32		4.19-4.32	413-04250425-103	243.66	
	4.37-4.56		3.44-3.56	413-04500350-103	243.66	
	4.37-4.56		3.94-4.06	413-04500400-103	243.66	
	4.37-4.56		4.07-4.19	413-04500413-103	243.66	
	4.37-4.56		4.19-4.31	413-04500425-103	243.66	
	4.74-4.88		3.44-3.56	413-04800350-103	243.66	
	4.74-4.88		3.94-4.06	413-04800400-103	243.66	
	4.74-4.88		4.07-4.19	413-04800413-103	243.66	
	4.74-4.88		4.19-4.31	413-04800425-103	243.66	
	4.74-4.88		4.37-4.56	413-04800450-103	243.66	
4-5	4.94-5.06		4.74-4.90	413-05000480-103	300.20	21
	5.04-5.19		4.74-4.90	413-05100480-103	300.20	
	5.47-5.63		4.74-4.90	413-05560480-103	300.20	
	5.47-5.63		4.94-5.06	413-05560500-103	300.20	
	5.47-5.63		5.04-5.19	413-05560510-103	300.20	
	5.47-5.63		5.19-5.29	413-05560525-103	300.20	
	5.47-5.63		5.47-5.63	413-05560556-103	300.20	
	5.71-5.84		4.75-4.90	413-05780480-103	300.20	
5-6	5.94-6.13		5.47-5.63	413-06000556-103	363.88	24
	6.18-6.38		5.94-6.13	413-06250600-103	363.88	
	6.18-6.38		6.18-6.38	413-06250625-103	363.88	
	6.57-6.75		5.94-6.13	413-06630600-103	343.79	
	6.57-6.75		6.18-6.38	413-06630625-103	343.79	
	6.57-6.75		6.57-6.75	413-06630663-103	343.79	
	6.85-6.96		5.47-5.63	413-06900556-103	343.79	
	6.85-6.96		5.94-6.09	413-06900600-103	343.79	
	6.85-6.96		6.18-6.38	413-06900625-103	343.79	
	6.85-6.96		6.57-6.75	413-06900663-103	343.79	
6.85-6.96		6.85-6.96	413-06900690-103	343.79		

To select the proper coupling, find the OD ranges for the outside diameters of both pieces of pipe. Select the coupling with the large end OD range to fit one pipe and a small end OD to fit the other pipe. Order using the part number for the listed coupling. If the OD range you want is not available, order by stating the transition range for the part number you need.



## 413 Steel Transition Couplings Alloy Bolts & Nuts

Nominal Size Inches	O.D. Range of Coupling as Furnished			Catalog Number	List Price	Approx. Weight Lbs.
	Large End	X	Small End			
6	6.98-7.16		6.57-6.75	413-07100663-103	<b>\$361.63</b>	28
	7.13-7.26		6.57-6.75	413-07200663-103	<b>361.63</b>	
	7.13-7.26		6.85-6.96	413-07200690-103	<b>361.63</b>	
	<b>7.13-7.26</b>		<b>7.13-7.26</b>	<b>413-07200720-103</b>	<b>361.63</b>	
8	8.16-8.37		8.16-8.37	413-08250825-103	<b>437.87</b>	34
	8.56-8.75		7.94-8.15	413-08630800-103	<b>437.87</b>	
	8.56-8.75		8.16-8.37	413-08630825-103	<b>437.87</b>	
	<b>8.56-8.75</b>		<b>8.56-8.75</b>	<b>413-08630863-103</b>	<b>437.87</b>	
8	8.75-8.94		7.94-8.13	413-08880800-103	<b>459.72</b>	41
	8.75-8.94		8.56-8.75	413-08880863-103	<b>459.72</b>	
	8.96-9.15		7.94-8.13	413-09050800-103	<b>459.72</b>	
	8.96-9.15		8.46-8.70	413-09050863-103	<b>459.72</b>	
	<b>8.96-9.15</b>		<b>8.96-9.15</b>	<b>413-09050905-103</b>	<b>459.72</b>	
	9.09-9.25		8.46-8.70	413-09150863-103	<b>459.72</b>	
8	9.25-9.45		8.53-8.72	413-09420863-103	<b>504.62</b>	41
	9.25-9.45		8.96-9.15	413-09420905-103	<b>504.62</b>	
	9.25-9.45		9.09-9.25	413-09420915-103	<b>504.62</b>	
	<b>9.25-9.45</b>		<b>9.25-9.45</b>	<b>413-09420942-103</b>	<b>504.62</b>	
10	10.63-10.84		9.88-10.13	413-10751000-103	<b>565.75</b>	44
	10.63-10.84		10.13-10.38	413-10751025-103	<b>565.75</b>	
10	11.00-11.25		10.63-10.84	413-11101075-103	<b>611.94</b>	46
	<b>11.00-11.25</b>		<b>11.00-11.25</b>	<b>413-11101110-103</b>	<b>611.94</b>	
	11.13-11.30		10.63-10.84	413-11251075-103	<b>611.94</b>	
	11.30-11.50		10.63-10.84	413-11401075-103	<b>611.94</b>	
	11.30-11.50		11.00-11.25	413-11401110-103	<b>611.94</b>	
10-12	11.55-11.75		11.00-11.25	413-11701110-103	<b>642.65</b>	53
	11.80-12.06		11.00-11.25	413-11951110-103	<b>642.65</b>	
	11.80-12.06		11.55-11.75	413-11951170-103	<b>642.65</b>	
12	<b>12.13-12.38</b>		<b>12.13-12.38</b>	<b>413-12251225-103</b>	<b>704.14</b>	53
	12.63-12.88		11.88-12.06	413-12751200-103	<b>704.14</b>	
	12.63-12.88		12.13-12.38	413-12751225-103	<b>704.14</b>	
	<b>12.63-12.88</b>		<b>12.63-12.88</b>	<b>413-12751275-103</b>	<b>704.14</b>	
12	13.10-13.40		12.63-12.88	413-13201275-103	<b>737.95</b>	57
	13.45-13.70		12.63-12.88	413-13611275-103	<b>737.95</b>	

To select the proper coupling, find the OD ranges for the outside diameters of both pieces of pipe. Select the coupling with the large end OD range to fit one pipe and a small end OD to fit the other pipe. Order using the part number for the listed coupling. If the OD range you want is not available, order by stating the transition range for the part number you need.



## 413 Steel Transition Couplings Alloy Bolts & Nuts

Nominal Size Inches	O.D. Range of Coupling as Furnished			Catalog Number	List Price	Approx. Weight Lbs.
	Large End	X	Small End			
12-14	14.11-14.29		13.90-14.08	413-14211400-103	<b>\$811.80</b>	64
14	15.55-15.73		15.20-15.38	413-15651530-703	<b>955.74</b>	88
16	17.70-17.88		17.30-17.48	413-17801740-703	<b>1026.27</b>	98
18	19.82-20.00		19.40-19.58	413-19921950-703	<b>1,375.09</b>	110
20	21.96-22.14		21.50-21.68	413-22062160-703	<b>1,432.67</b>	120
24	26.22-26.40		25.70-25.88	413-26322580-703	<b>1,761.40</b>	142

To select the proper coupling, find the O.D. ranges for the outside diameters of both pieces of pipe. Select the coupling with a large end O.D. range to fit one pipe and a small end O.D. range to fit the other pipe. Order using the catalog number for the listed coupling. If the O.D. range you need is not listed, do NOT order by stating a transition range for the catalog number you need. Instead, consult Smith-Blairs 415 and 441 couplings.



## 413 Steel Transition Couplings Expanded Sleeve, Alloy Bolts & Nuts And 304 Stainless Steel Bolts & Nuts 3/8" x 12" Sleeve

Nominal Size Inches	O.D. Range of Couplings as Furnished			Alloy Catalog Number	List Price	304	List Price	Approx. Weight Lbs.
	Large End	X	Small End			Stainless Steel Catalog Number		
14	15.30		14.00	413-15301400-603	<b>\$1,273.89</b>	413-15301400-631	<b>\$1,469.03</b>	115
16	17.40		16.00	413-17401600-603	<b>1,409.12</b>	413-17401600-631	<b>1,605.06</b>	125
18	19.50		18.00	413-19501800-603	<b>1,589.18</b>	413-19501800-631	<b>1,832.06</b>	145
20	21.60		20.00	413-21602000-603	<b>1,742.51</b>	413-21602000-631	<b>1,985.37</b>	160
24	25.80		24.00	413-25802400-603	<b>2,032.03</b>	413-25802400-631	<b>2,357.60</b>	180
30	32.00		30.00	413-32003000-603	<b>2,456.52</b>	413-32003000-631	<b>2,719.38</b>	215
36	38.30		36.00	413-38303600-603	<b>2,863.26</b>	413-38303600-631	<b>3,511.16</b>	260
42	44.50		42.00	413-44504200-603	<b>3,492.64</b>	413-44504200-631	<b>4,291.61</b>	300
48	50.80		48.00	413-50804800-603	<b>4,018.25</b>	413-50804800-631	<b>4,582.42</b>	350

\*Most transitions available up to 10% change in pipe diameter. Longer sleeves available on request.  
Suitable anchorage must be provided when excessive pipe movement could cause the pipe to move out of the coupling.



## 415 Steel Reducing Couplings Alloy Bolts & Nuts Price Calculator

**How To Price Example:** A coupling is for 20 inch A.C. 23.54 inch, Steel 20.00 O.D. transition.  
The calculator helps the customer identify the correct O.D. ranges and related costs for the large and small end, thereby giving an overall cost for the overall reducing coupling.

**The customer goes to the chart below and finds these sizes and costs:**

Large End of Coupling Size: 24 O.D. inches: 23.00-24.99 Approx. Weight: 142 lbs. Cost: \$1,664.76  
 Small End of Coupling Size: 20 O.D. inches: 19.00-20.99 Approx. Weight: 68 lbs. Cost \$1,516.04  
 Example part number would be 415-23542000-003 | Total weight would be 210lbs | Total list price would be \$3,180.80

Large End				Small End			
Nominal Size Inches	*O.D. Inches	Price Each	Approx. Weight lbs.	Nominal Size Inches	*O.D. Inches	Price Each	Approx. Weight lbs.
6	5.00-7.49	<b>\$482.78</b>	32	4	3.50-4.49	<b>\$301.75</b>	13
8	7.50-8.49	<b>670.28</b>	35	5	4.50-5.49	<b>407.97</b>	16
8	8.50-9.49	<b>754.72</b>	38	6	5.50-6.49	<b>497.29</b>	20
10	9.50-10.49	<b>843.79</b>	44	6	6.50-7.49	<b>605.91</b>	20
10	10.50-11.49	<b>902.31</b>	47	8	7.50-8.49	<b>690.45</b>	21
12	11.50-12.49	<b>998.59</b>	56	8	8.50-9.49	<b>777.35</b>	23
12	12.50-13.49	<b>1,047.66</b>	60	10	9.50-10.49	<b>869.04</b>	24
14	13.50-14.49	<b>1,113.30</b>	71	10	10.50-11.49	<b>929.41</b>	30
14	14.50-15.49	<b>1,239.87</b>	79	12	11.50-12.49	<b>1,018.73</b>	31
16	15.50-16.49	<b>1,265.63</b>	85	12	12.50-13.49	<b>1,109.82</b>	34
16	16.50-17.49	<b>1,303.10</b>	91	14	13.50-14.99	<b>1,146.68</b>	40
18	17.50-18.49	<b>1,373.06</b>	97	16	15.00-16.99	<b>1,277.06</b>	45
18	18.50-19.49	<b>1,429.68</b>	105	18	17.00-18.99	<b>1,407.40</b>	54
20	19.50-20.99	<b>1,471.87</b>	114	20	19.00-20.99	<b>1,516.04</b>	68
20	21.00-22.99	<b>1,593.75</b>	129	20	21.00-22.99	<b>1,641.55</b>	70
24	23.00-24.99	<b>1,664.76</b>	142	24	23.00-24.99	<b>1,711.55</b>	81
24	25.00-26.99	<b>1,809.41</b>	156	24	25.00-26.99	<b>1,857.66</b>	98
28	27.00-28.99	<b>1,864.65</b>	175	28	27.00-28.99	<b>1,948.16</b>	101
30	29.00-30.99	<b>1,900.83</b>	189	30	29.00-30.99	<b>2,006.11</b>	103
32	31.00-32.99	<b>2,109.40</b>	207	32	31.00-32.99	<b>2,172.65</b>	105
34	33.00-34.99	<b>2,151.57</b>	225	34	33.00-34.99	<b>2,216.14</b>	116
36	35.00-36.99	<b>2,315.63</b>	258	36	35.00-36.99	<b>2,385.11</b>	118
38	37.00-38.99	<b>2,339.06</b>	279	38	37.00-38.99	<b>2,409.19</b>	124
40	39.00-40.99	<b>2,385.58</b>	298	40	39.00-40.99	<b>2,457.51</b>	130
42	41.00-42.99	<b>2,533.59</b>	336	42	41.00-42.99	<b>2,609.63</b>	138
44	43.00-44.99	<b>2,575.79</b>	359	44	43.00-44.99	<b>2,653.06</b>	150
46	45.00-46.99	<b>2,732.84</b>	384	46	45.00-46.99	<b>2,814.83</b>	156
48	47.00-48.99	<b>2,782.06</b>	407	-	-	-	-

\*The sizes shown are not coupling ranges. These diameters are guides to be utilized for pricing.  
 Please see example above. Reductions of more than 3 nominal pipe sizes require special pricing.  
 Suitable anchorage must be provided when excessive pipe movement could cause pipe to move.



## 416 Steel Insulating Couplings Single Boot, Steel Pipe Sizes, Alloy Bolts & Nuts

Nominal Size Inches	O.D. Inches	Catalog Number	List Price	Approx. Weight lbs.
2 1/2	2.82-2.94	416-00288011-003	<b>\$238.32</b>	10
3	3.44-3.56	416-00350011-003	<b>313.64</b>	11
4	3.94-4.06	416-00400011-003	<b>348.00</b>	15
4	4.44-4.56	416-00450011-003	<b>365.97</b>	16
5	5.44-5.62	416-00556011-003	<b>427.46</b>	19
6	5.94-6.06	416-00600011-003	<b>485.89</b>	24
6	6.57-6.69	416-00663011-003	<b>522.75</b>	26
8	7.94-8.06	416-00800011-003	<b>614.99</b>	32
8	8.57-8.75	416-00863021-003	<b>688.80</b>	39
10	10.69-10.85	416-01075071-003	<b>977.89</b>	41
12	12.69-12.88	416-01275071-003	<b>1082.42</b>	43
14	13.94-14.13	416-01400071-003	<b>1451.39</b>	74
16	15.94-16.13	416-01600071-003	<b>1472.89</b>	86
18	17.94-18.13	416-01800071-003	<b>1691.22</b>	94
20	19.88-20.09	416-02000071-003	<b>2275.43</b>	105
22	21.88-22.09	416-02200071-003	<b>2496.90</b>	112
24	23.88-24.09	416-02400071-003	<b>2841.29</b>	121

Larger Sizes, and sizes not listed, are available upon request (price on application).  
Suitable anchorage must be provided when excessive movement could cause pipe pull-out.



## 418 Tee Couplings For Smaller Diameter Pipe, Alloy Bolts & Nuts

Nominal Size Inches	O.D. Inches	Tap Size I.P. Thread Inches	Sleeve Length Inches	Catalog Number	List Price	Approx. Weight lbs.
3/4	1.02-1.08	3/4	5	418-00010506-003	<b>\$143.84</b>	4
1	1.26-1.38	1	5	418-00013208-003	<b>150.06</b>	5
1 1/4	1.60-1.72	1 1/4	5	418-00016610-003	<b>154.95</b>	7
1 1/2	1.84-1.96	1 1/2	6	418-00019012-003	<b>182.64</b>	7
2	2.32-2.44	2	6	418-00023814-003	<b>228.66</b>	10
2	2.44-2.56	2	6	418-00025014-003	<b>242.77</b>	10



## 421 Top Bolt Couplings Patented / Removable Gaskets OS Sizes Available in 10", 12", 16" and 24"

Nominal Size (in.)	Catalog Number	Overall Range (in.)	Lower Range (in.)	Upper Range (in.)	Sleeve Length (in.)	Laying Length (in.)	Appr. Wt. Lbs.	List Price
2	421-02130295-031	2.13-2.95	2.13-2.60	2.50-2.95	4	7.50	9	<b>\$196.22</b>
3	421-03100420-031	3.10-4.20	3.10-3.56	3.70-4.20	6	9.50	12	<b>258.86</b>
4	421-04460560-031	4.46-5.60	4.46-5.05	5.00-5.60	6	9.75	19	<b>324.83</b>
6	421-06560760-031	6.56-7.60	6.56-7.05	7.00-7.60	8	11.75	27	<b>428.88</b>
8	421-08540985-031	8.54-9.85	8.54-9.15	9.15-9.85	8	11.75	34	<b>485.70</b>
10	421-10641183-031	10.64-11.83	10.64-11.18	11.13-11.83	8	11.75	40	<b>618.01</b>
10 OS*	421-10641220-031	10.64-12.20	10 Side: 10.64-11.18	10" Side: 11.13-11.83	8	11.75	42	<b>672.53</b>
			10 OS Side: 11.05-11.56	10 OS Side: 11.56-12.20				
12	421-12621367-031	12.62-13.67	12.62-13.06	13.10-13.67	8	11.75	47	<b>755.16</b>
12 OS*	421-12621440-031	12.62-14.40	12 Side: 12.62-13.06	12" Side: 13.10-13.67	8	11.75	49	<b>898.76</b>
			12 OS Side: 13.14-13.78	12 OS Side: 13.73-14.40				
14	421-15001688-031	15.00-16.88	15.00-15.94	15.94-16.88	8.50	12.50	65	<b>1900.00</b>
16	421-16001785-031	16.00-17.85	16.00-16.50	17.35-17.85	8.50	12.50	80	<b>1916.30</b>
16 OS*	421-16001920-031	16.00-19.20	16" Side: 16.00-16.50	16" Side: 17.35-17.85	8.50	12.50	88	<b>2,100.00</b>
			16" OS Side: 17.15-17.95	16" OS Side: 18.45-19.20				
18	421-19202130-031	19.20-21.30	19.20-20.25	20.25-21.30	8.50	12.50	94	<b>2300.00</b>
20	421-21252335-031	21.25-23.35	21.25-22.30	22.30-23.35	8.50	12.50	100	<b>2500.00</b>
24	421-24002632-031	24.00-26.32	24.00-24.80	25.25-26.32	8.50	12.50	120	<b>2650.00</b>
24 OS*	421-24002732-031	24.00-27.32	24" Side: 24.00-24.80	24" Side: 25.25-26.32	8.50	12.50	126	<b>2,800.00</b>
			24" OS Side: 25.00-25.80	24" OS Side: 26.25-27.32				

\*OS sizes show two different lower and upper ranges: the range on top shows the range of the standard coupling end and the range on bottom shows the range of the oversized end.



## 422 Top Bolt Long Sleeve Couplings With Patented Removable / Replaceable Gaskets

Nom. Size (in.)	Catalog Number	Overall Range (in.)	Lower Range (in.)	Upper Range (in.)	Sleeve Length (in.)	Laying Length (in.)	Appr. Wgt. Lbs.	List Price
2	422-02130295-031	2.13-2.95	2.13-2.60	2.50-2.95	8	12.00	11	<b>\$261.29</b>
3	422-03100420-031	3.10-4.20	3.10-3.56	3.70-4.20	12	16.00	16	<b>369.34</b>
4	422-04460560-031	4.46-5.60	4.46-5.05	5.00-5.60	12	16.00	26	<b>535.82</b>
6	422-06560760-031	6.56-7.60	6.56-7.05	7.00-7.60	16	21.00	39	<b>713.32</b>
8	422-08540985-031	8.54-9.85	8.54-9.15	9.15-9.85	16	21.00	49	<b>796.56</b>
10	422-10641183-031	10.64-11.83	10.64-11.18	11.13-11.83	16	21.00	58	<b>968.00</b>
12	422-12621367-031	12.62-13.67	12.62-13.06	13.10-13.67	16	21.00	67	<b>1,130.06</b>
16	422-16001785-031	16.00-17.85	16.00-16.50	17.35-17.85	19	23	110	<b>4247.78</b>
16 OS	422-16001920-031	16.00-19.20	16.00-16.50 (STD End)	17.35-17.85 (STD End)	19	23	121	<b>4247.78</b>
			17.15-17.95 (OS End)	18.45-19.20 (OS End)				
24	422-24002632-031	24.00-26.32	24.00-24.80	25.25-26.32	19	23	166	<b>5386.50</b>
24 OS	422-24002732-031	24.00-27.32	24.00-24.80 (STD End)	25.25-26.32 (STD End)	19	23	174	<b>5386.50</b>
			25.00-25.80 (OS End)	26.25-27.32 (OS End)				



## 441 Omni Cast Couplings Straight and Transition

Nom. Size Inches	O.D. Range Inches		Alloy Bolts & Nuts		304 SS Bolts & Nuts		316 SS Bolts & Nuts		Approx. Weight lbs.
	End 1	End 2	Catalog Number - 900	List Price	Catalog Number - 931	List Price	Catalog Number - 943	List Price	
2	2.34-2.63	2.34-2.63	441-00000263-900	<b>\$78.89</b>	441-00000263-931	<b>\$117.98</b>	441-00000263-943	<b>\$154.49</b>	9
2 1/2	2.65-2.88	2.65-2.88	441-00000288-900	<b>102.00</b>	441-00000288-931	<b>144.45</b>	441-00000288-943	<b>177.60</b>	9
3	2.85-3.13	2.85-3.13	441-00000313-900	<b>129.59</b>	441-00000313-931	<b>219.54</b>	441-00000313-943	<b>280.78</b>	14
	3.44-3.62	3.44-3.62	441-00000350-900	<b>129.59</b>	441-00000350-931	<b>219.54</b>	441-00000350-943	<b>280.78</b>	14
	3.80-3.96	3.80-3.96	441-00000396-900	<b>129.59</b>	441-00000396-931	<b>219.54</b>	441-00000396-943	<b>280.78</b>	14
	3.97-4.14	3.97-4.14	441-00000414-900	<b>129.59</b>	441-00000414-931	<b>219.54</b>	441-00000414-943	<b>280.78</b>	14
	3.44-3.62	2.85-3.13	441-03500313-900	<b>129.59</b>	441-03500313-931	<b>219.54</b>	441-03500313-943	<b>280.78</b>	14
	3.80-3.96	2.85-3.13	441-03960313-900	<b>129.59</b>	441-03960313-931	<b>219.54</b>	441-03960313-943	<b>280.78</b>	14
	3.80-3.96	3.44-3.62	441-03960350-900	<b>129.59</b>	441-03960350-931	<b>219.54</b>	441-03960350-943	<b>280.78</b>	14
	3.97-4.14	2.85-3.13	441-04140313-900	<b>129.59</b>	441-04140313-931	<b>219.54</b>	441-04140313-943	<b>280.78</b>	14
	3.97-4.14	3.44-3.62	441-04140350-900	<b>129.59</b>	441-04140350-931	<b>219.54</b>	441-04140350-943	<b>280.78</b>	14
	3.97-4.14	3.80-3.96	441-04140396-900	<b>129.59</b>	441-04140396-931	<b>219.54</b>	441-04140396-943	<b>280.78</b>	14
4	4.00-4.15	4.00-4.15	441-00000415-900	<b>162.00</b>	441-00000415-931	<b>242.47</b>	441-00000415-943	<b>313.20</b>	19
	4.22-4.50	4.22-4.50	441-00000450-900	<b>162.00</b>	441-00000450-931	<b>242.47</b>	441-00000450-943	<b>313.20</b>	19
	4.46-4.86	4.46-4.86	441-00000486-900	<b>162.00</b>	441-00000486-931	<b>242.47</b>	441-00000486-943	<b>313.20</b>	19
	4.80-5.10	4.80-5.10	441-00000510-900	<b>162.00</b>	441-00000510-931	<b>242.47</b>	441-00000510-943	<b>313.20</b>	19
	5.11-5.45	5.11-5.45	441-00000545-900	<b>162.00</b>	441-00000545-931	<b>242.47</b>	441-00000545-943	<b>313.20</b>	19
	4.22-4.50	4.00-4.15	441-04500415-900	<b>162.00</b>	441-04500415-931	<b>242.47</b>	441-04500415-943	<b>313.20</b>	19
	4.46-4.86	4.00-4.15	441-04860415-900	<b>162.00</b>	441-04860415-931	<b>242.47</b>	441-04860415-943	<b>313.20</b>	19
	4.46-4.86	4.22-4.50	441-04860450-900	<b>162.00</b>	441-04860450-931	<b>242.47</b>	441-04860450-943	<b>313.20</b>	19
	4.80-5.10	4.00-4.15	441-05100415-900	<b>162.00</b>	441-05100415-931	<b>242.47</b>	441-05100415-943	<b>313.20</b>	19
	4.80-5.10	4.22-4.50	441-05100450-900	<b>162.00</b>	441-05100450-931	<b>242.47</b>	441-05100450-943	<b>313.20</b>	19
	4.80-5.10	4.46-4.86	441-05100486-900	<b>162.00</b>	441-05100486-931	<b>242.47</b>	441-05100486-943	<b>313.20</b>	19
	5.11-5.45	4.00-4.15	441-05450415-900	<b>162.00</b>	441-05450415-931	<b>242.47</b>	441-05450415-943	<b>313.20</b>	19
	5.11-5.45	4.22-4.50	441-05450450-900	<b>162.00</b>	441-05450450-931	<b>242.47</b>	441-05450450-943	<b>313.20</b>	19
	5.11-5.45	4.46-4.86	441-05450486-900	<b>162.00</b>	441-05450486-931	<b>242.47</b>	441-05450486-943	<b>313.20</b>	19
5.11-5.45	4.80-5.10	441-05450510-900	<b>162.00</b>	441-05450510-931	<b>242.47</b>	441-05450510-943	<b>313.20</b>	19	
6	6.00-6.15	6.00-6.15	441-00000615-900	<b>207.76</b>	441-00000615-931	<b>288.46</b>	441-00000615-943	<b>358.96</b>	25
	6.28-6.63	6.28-6.63	441-00000663-900	<b>207.76</b>	441-00000663-931	<b>288.46</b>	441-00000663-943	<b>358.96</b>	25
	6.56-6.96	6.56-6.96	441-00000696-900	<b>207.76</b>	441-00000696-931	<b>288.46</b>	441-00000696-943	<b>358.96</b>	25
	6.90-7.22	6.90-7.22	441-00000722-900	<b>207.76</b>	441-00000722-931	<b>288.46</b>	441-00000722-943	<b>358.96</b>	25
	7.25-7.65	7.25-7.65	441-00000765-900	<b>207.76</b>	441-00000765-931	<b>288.46</b>	441-00000765-943	<b>358.96</b>	25
	6.28-6.63	6.00-6.15	441-06630615-900	<b>207.76</b>	441-06630615-931	<b>288.46</b>	441-06630615-943	<b>358.96</b>	25
	6.56-6.96	6.00-6.15	441-06960615-900	<b>207.76</b>	441-06960615-931	<b>288.46</b>	441-06960615-943	<b>358.96</b>	25
	6.56-6.96	6.28-6.63	441-06960663-900	<b>207.76</b>	441-06960663-931	<b>288.46</b>	441-06960663-943	<b>358.96</b>	25
	6.90-7.22	6.00-6.15	441-07220615-900	<b>207.76</b>	441-07220615-931	<b>288.46</b>	441-07220615-943	<b>358.96</b>	25
	6.90-7.22	6.28-6.63	441-07220663-900	<b>207.76</b>	441-07220663-931	<b>288.46</b>	441-07220663-943	<b>358.96</b>	25
	6.90-7.22	6.56-6.96	441-07220696-900	<b>207.76</b>	441-07220696-931	<b>288.46</b>	441-07220696-943	<b>358.96</b>	25
	7.25-7.65	6.00-6.15	441-07650615-900	<b>207.76</b>	441-07650615-931	<b>288.46</b>	441-07650615-943	<b>358.96</b>	25
	7.25-7.65	6.28-6.63	441-07650663-900	<b>207.76</b>	441-07650663-931	<b>288.46</b>	441-07650663-943	<b>358.96</b>	25
	7.25-7.65	6.56-6.96	441-07650696-900	<b>207.76</b>	441-07650696-931	<b>288.46</b>	441-07650696-943	<b>358.96</b>	25
7.25-7.65	6.90-7.22	441-07650722-900	<b>207.76</b>	441-07650722-931	<b>288.46</b>	441-07650722-943	<b>358.96</b>	25	



## 441 Omni Cast Couplings Straight and Transition

Nom. Size Inches	O.D. Range Inches		Alloy Bolts & Nuts		304 SS Bolts & Nuts		316 SS Bolts & Nuts		Approx. Weight lbs.
	End 1	End 2	Catalog Number - 900	List Price	Catalog Number - 931	List Price	Catalog Number - 943	List Price	
8	8.00-8.16	8.00-8.16	441-00000800-900	\$262.65	441-00000800-931	\$361.84	441-00000800-943	\$516.54	31
	8.40-8.63	8.40-8.63	441-00000863-900	262.65	441-00000863-931	361.84	441-00000863-943	516.54	31
	8.54-9.11	8.54-9.11	441-00000911-900	262.65	441-00000911-931	361.84	441-00000911-943	516.54	31
	9.05-9.30	9.05-9.30	441-00000930-900	262.65	441-00000930-931	361.84	441-00000930-943	516.54	31
	9.05-9.45	9.05-9.45	441-00000945-900	262.65	441-00000945-931	361.84	441-00000945-943	516.54	31
	9.46-9.85	9.46-9.85	441-00000985-900	262.65	441-00000985-931	361.84	441-00000985-943	516.54	31
	8.40-8.63	8.00-8.16	441-08630800-900	262.65	441-08630800-931	361.84	441-08630800-943	516.54	31
	8.54-9.11	8.00-8.16	441-09110800-900	262.65	441-09110800-931	361.84	441-09110800-943	516.54	31
	8.54-9.11	8.40-8.63	441-09110863-900	262.65	441-09110863-931	361.84	441-09110863-943	516.54	31
	9.05-9.45	8.00-8.16	441-09450800-900	262.65	441-09450800-931	361.84	441-09450800-943	516.54	31
	9.05-9.45	8.40-8.63	441-09450863-900	262.65	441-09450863-931	361.84	441-09450863-943	516.54	31
	9.05-9.45	8.54-9.11	441-09450911-900	262.65	441-09450911-931	361.84	441-09450911-943	516.54	31
	9.46-9.85	8.00-8.16	441-09850800-900	262.65	441-09850800-931	361.84	441-09850800-943	516.54	31
	9.46-9.85	8.40-8.63	441-09850863-900	262.65	441-09850863-931	361.84	441-09850863-943	516.54	31
	9.46-9.85	8.54-9.11	441-09850911-900	262.65	441-09850911-931	361.84	441-09850911-943	516.54	31
	9.46-9.85	9.05-9.45	441-09850945-900	262.65	441-09850945-931	361.84	441-09850945-943	516.54	31
10	10.00	10.00	441-00001000-900	364.65	441-00001000-931	475.47	441-00001000-943	618.53	48
	10.50-10.75	10.50-10.75	441-00001075-900	364.65	441-00001075-931	475.47	441-00001075-943	618.53	48
	11.10-11.60	11.10-11.60	441-00001160-900	364.65	441-00001160-931	475.47	441-00001160-943	618.53	48
	11.65-11.88	11.65-11.88	441-00001188-900	364.65	441-00001188-931	475.47	441-00001188-943	618.53	48
	11.90-12.20	11.90-12.20	441-00001220-900	364.65	441-00001220-931	475.47	441-00001220-943	618.53	48
	10.50-10.75	10.00	441-10751000-900	364.65	441-10751000-931	475.47	441-10751000-943	618.53	48
	11.10-11.60	10.00	441-11601000-900	364.65	441-11601000-931	475.47	441-11601000-943	618.53	48
	11.10-11.60	10.50-10.75	441-11601075-900	364.65	441-11601075-931	475.47	441-11601075-943	618.53	48
	11.65-11.88	10.00	441-11881000-900	364.65	441-11881000-931	475.47	441-11881000-943	618.53	48
	11.65-11.88	10.50-10.75	441-11881075-900	364.65	441-11881075-931	475.47	441-11881075-943	618.53	48
	11.65-11.88	11.10-11.60	441-11881160-900	364.65	441-11881160-931	475.47	441-11881160-943	618.53	48
	11.90-12.20	10.00	441-12201000-900	364.65	441-12201000-931	475.47	441-12201000-943	618.53	48
	11.90-12.20	10.50-10.75	441-12201075-900	364.65	441-12201075-931	475.47	441-12201075-943	618.53	48
	11.90-12.20	11.10-11.60	441-12201160-900	364.65	441-12201160-931	475.47	441-12201160-943	618.53	48
11.90-12.20	11.65-11.88	441-12201188-900	364.65	441-12201188-931	475.47	441-12201188-943	618.53	48	
12	12.00	12.00	441-00001200-900	439.08	441-00001200-931	578.00	441-00001200-943	777.60	52
	12.50-12.75	12.50-12.75	441-00001275-900	439.08	441-00001275-931	578.00	441-00001275-943	777.60	52
	13.20-13.50	13.20-13.50	441-00001350-900	439.08	441-00001350-931	578.00	441-00001350-943	777.60	52
	13.51-13.75	13.51-13.75	441-00001375-900	439.08	441-00001375-931	578.00	441-00001375-943	777.60	52
	13.90-14.20	13.90-14.20	441-00001420-900	439.08	441-00001420-931	578.00	441-00001420-943	777.60	52
	14.21-14.40	14.21-14.40	441-00001440-900	439.08	441-00001440-931	578.00	441-00001440-943	777.60	52
	12.50-12.75	12.00	441-12751200-900	439.08	441-12751200-931	578.00	441-12751200-943	777.60	52
	13.20-13.50	12.00	441-13501200-900	439.08	441-13501200-931	578.00	441-13501200-943	777.60	52
	13.20-13.50	12.50-12.75	441-13501275-900	439.08	441-13501275-931	578.00	441-13501275-943	777.60	52
	13.51-13.75	12.00	441-13751200-900	439.08	441-13751200-931	578.00	441-13751200-943	777.60	52
	13.51-13.75	12.50-12.75	441-13751275-900	439.08	441-13751275-931	578.00	441-13751275-943	777.60	52
	13.51-13.75	13.20-13.50	441-13751350-900	439.08	441-13751350-931	578.00	441-13751350-943	777.60	52
	13.90-14.20	12.00	441-14201200-900	439.08	441-14201200-931	578.00	441-14201200-943	777.60	52
	13.90-14.20	12.50-12.75	441-14201275-900	439.08	441-14201275-931	578.00	441-14201275-943	777.60	52
	13.90-14.20	13.20-13.50	441-14201350-900	439.08	441-14201350-931	578.00	441-14201350-943	777.60	52
	13.90-14.20	13.51-13.75	441-14201375-900	439.08	441-14201375-931	578.00	441-14201375-943	777.60	52
	14.21-14.40	12.00	441-14401200-900	439.08	441-14401200-931	578.00	441-14401200-943	777.60	52
	14.21-14.40	12.50-12.75	441-14401275-900	439.08	441-14401275-931	578.00	441-14401275-943	777.60	52
	14.21-14.40	13.20-13.50	441-14401350-900	439.08	441-14401350-931	578.00	441-14401350-943	777.60	52
	14.21-14.40	13.51-13.75	441-14401375-900	439.08	441-14401375-931	578.00	441-14401375-943	777.60	52
14.21-14.40	13.90-14.20	441-14401420-900	439.08	441-14401420-931	578.00	441-14401420-943	777.60	52	



## 441 Omni Cast Coupling Straight and Transition

Nom. Size Inches	O.D. Range Inches		Alloy Bolts & Nuts		304 SS Bolts & Nuts		316 SS Bolts & Nuts		Approx. Weight lbs.
	End 1	End 2	Catalog Number - 900	List Price	Catalog Number - 931	List Price	Catalog Number - 943	List Price	
14	15.30-15.50	15.30-15.50	441-00001550-900	<b>\$738.73</b>	441-00001550-931	<b>\$947.58</b>	441-00001550-943	<b>\$1,077.24</b>	58
	15.55-15.80	15.55-15.80	441-00001580-900	<b>738.73</b>	441-00001580-931	<b>947.58</b>	441-00001580-943	<b>1,077.24</b>	58
	16.10-16.35	16.10-16.35	441-00001622-900	<b>738.73</b>	441-00001622-931	<b>947.58</b>	441-00001622-943	<b>1,077.24</b>	58
	16.41-16.55	16.41-16.55	441-00001655-900	<b>738.73</b>	441-00001655-931	<b>947.58</b>	441-00001655-943	<b>1,077.24</b>	58
	16.73-16.90	16.73-16.90	441-00001690-900	<b>738.73</b>	441-00001690-931	<b>947.58</b>	441-00001690-943	<b>1,077.24</b>	58
	15.55-15.80	15.30-15.50	441-15801550-900	<b>738.73</b>	441-15801550-931	<b>947.58</b>	441-15801550-943	<b>1,077.24</b>	58
	16.10-16.35	15.30-15.50	441-16221550-900	<b>738.73</b>	441-16221550-931	<b>947.58</b>	441-16221550-943	<b>1,077.24</b>	58
	16.10-16.35	15.55-15.80	441-16221580-900	<b>738.73</b>	441-16221580-931	<b>947.58</b>	441-16221580-943	<b>1,077.24</b>	58
	16.41-16.55	15.30-15.50	441-16551550-900	<b>738.73</b>	441-16551550-931	<b>947.58</b>	441-16551550-943	<b>1,077.24</b>	58
	16.41-16.55	15.55-15.80	441-16551580-900	<b>738.73</b>	441-16551580-931	<b>947.58</b>	441-16551580-943	<b>1,077.24</b>	58
	16.41-16.55	16.10-16.35	441-16551622-900	<b>738.73</b>	441-16551622-931	<b>947.58</b>	441-16551622-943	<b>1,077.24</b>	58
	16.73-16.90	15.30-15.50	441-16901550-900	<b>738.73</b>	441-16901550-931	<b>947.58</b>	441-16901550-943	<b>1,077.24</b>	58
	16.73-16.90	15.55-15.80	441-16901580-900	<b>738.73</b>	441-16901580-931	<b>947.58</b>	441-16901580-943	<b>1,077.24</b>	58
	16.73-16.90	16.10-16.35	441-16901622-900	<b>738.73</b>	441-16901622-931	<b>947.58</b>	441-16901622-943	<b>1,077.24</b>	58
	16.73-16.90	16.41-16.55	441-16901655-900	<b>738.73</b>	441-16901655-931	<b>947.58</b>	441-16901655-943	<b>1,077.24</b>	58
	16	17.40-17.80	17.40-17.80	441-00001780-900	<b>982.33</b>	441-00001780-931	<b>1,259.98</b>	441-00001780-943	<b>1,405.46</b>
18.46-18.90		18.46-18.90	441-00001890-900	<b>982.33</b>	441-00001890-931	<b>1,259.98</b>	441-00001890-943	<b>1,405.46</b>	81
18.90-19.20		18.90-19.20	441-00001920-900	<b>982.33</b>	441-00001920-931	<b>1,259.98</b>	441-00001920-943	<b>1,405.46</b>	81
18.46-18.90		17.40-17.80	441-18901780-900	<b>982.33</b>	441-18901780-931	<b>1,259.98</b>	441-18901780-943	<b>1,405.46</b>	81
18.90-19.20		17.40-17.80	441-19201780-900	<b>982.33</b>	441-19201780-931	<b>1,259.98</b>	441-19201780-943	<b>1,405.46</b>	81
18.90-19.20		18.46-18.90	441-19201890-900	<b>982.33</b>	441-19201890-931	<b>1,259.98</b>	441-19201890-943	<b>1,405.46</b>	81

Suitable anchorage must be provided when excessive pipe movement could cause the pipe to move out of the coupling.

## 441 Omni Cast Coupling Reducing

Nominal Size Inches		O.D. Range Inches		Catalog Number	List Price	Approx. Weight lbs.
Large End	Small End	End 1	End 2			
2 1/2	2	2.65-2.88	2.34-2.63	441-02880263-900	<b>\$180.43</b>	20
6	4	6.28-6.63	4.00-4.15	441-06630415-900	<b>334.53</b>	25
		6.28-6.63	4.22-4.50	441-06630450-900	<b>334.53</b>	25
		6.28-6.63	4.46-4.86	441-06630486-900	<b>334.53</b>	25
		6.28-6.63	4.80-5.10	441-06630510-900	<b>334.53</b>	25
		6.28-6.63	5.11-5.45	441-06630545-900	<b>334.53</b>	25
6	4	6.56-6.96	4.00-4.15	441-06960415-900	<b>\$334.53</b>	25
		6.56-6.96	4.22-4.50	441-06960450-900	<b>\$334.53</b>	25
		6.56-6.96	4.46-4.86	441-06960486-900	<b>\$334.53</b>	25
		6.56-6.96	4.80-5.10	441-06960510-900	<b>\$334.53</b>	25
		6.56-6.96	5.11-5.45	441-06960545-900	<b>\$334.53</b>	25
6	4	6.90-7.22	4.00-4.15	441-07220415-900	<b>334.53</b>	25
		6.90-7.22	4.22-4.50	441-07220450-900	<b>334.53</b>	25
		6.90-7.22	4.46-4.86	441-07220486-900	<b>334.53</b>	25
		6.90-7.22	4.80-5.10	441-07220510-900	<b>334.53</b>	25
		6.90-7.22	5.11-5.45	441-07220545-900	<b>334.53</b>	25
6	4	7.25-7.65	4.00-4.15	441-07650415-900	<b>\$334.53</b>	25
		7.25-7.65	4.22-4.50	441-07650450-900	<b>\$334.53</b>	25
		7.25-7.65	4.46-4.86	441-07650486-900	<b>\$334.53</b>	25
		7.25-7.65	4.80-5.10	441-07650510-900	<b>\$334.53</b>	25
		7.25-7.65	5.11-5.45	441-07650545-900	<b>\$334.53</b>	25
8	6	8.40-8.63	6.00-6.15	441-08630615-900	<b>425.69</b>	35
		8.40-8.63	6.28-6.63	441-08630663-900	<b>425.69</b>	35
		8.40-8.63	6.56-6.96	441-08630696-900	<b>425.69</b>	35
		8.40-8.63	6.90-7.22	441-08630722-900	<b>425.69</b>	35
		8.40-8.63	7.25-7.65	441-08630765-900	<b>425.69</b>	35
8	6	8.54-9.11	6.00-6.15	441-09110615-900	<b>\$425.69</b>	35
		8.54-9.11	6.28-6.63	441-09110663-900	<b>\$425.69</b>	35
		8.54-9.11	6.56-6.96	441-09110696-900	<b>\$425.69</b>	35
		8.54-9.11	6.90-7.22	441-09110722-900	<b>\$425.69</b>	35
		8.54-9.11	7.25-7.65	441-09110765-900	<b>\$425.69</b>	35
8	6	9.05-9.45	6.00-6.15	441-09450615-900	<b>425.69</b>	35
		9.05-9.45	6.28-6.63	441-09450663-900	<b>425.69</b>	35
		9.05-9.45	6.56-6.96	441-09450696-900	<b>425.69</b>	35
		9.05-9.45	6.90-7.22	441-09450722-900	<b>425.69</b>	35
		9.05-9.45	7.25-7.65	441-09450765-900	<b>425.69</b>	35
8	6	9.46-9.85	6.00-6.15	441-09850615-900	<b>\$425.69</b>	35
		9.46-9.85	6.28-6.63	441-09850663-900	<b>\$425.69</b>	35
		9.46-9.85	6.56-6.96	441-09850696-900	<b>\$425.69</b>	35
		9.46-9.85	6.90-7.22	441-09850722-900	<b>\$425.69</b>	35
		9.46-9.85	7.25-7.65	441-09850765-900	<b>\$425.69</b>	35

Suitable anchorage must be provided when excessive pipe movement could cause the pipe to move out of the coupling.

## 441 Omni Component Selection Chart

Nominal Size Inches	O.D. Range Inches	Gasket Two (2) Required	List Price	Flexi-Coat Epoxy Follower Flange Two (2) Required	List Price	Flexi-Coat Epoxy Sleeve	List Price	441 Alloy Bolts & Nuts**
								(# Required) Bolt/Nut-005
2	2.34-2.63	33827-069	<b>\$7.15</b>	20975-045	<b>\$13.72</b>	55139-045	<b>\$21.34</b>	(2) 90281 / (2) 100025 5/8 x 8
2-2 1/2	Reducing Coupling	*		*		55142-045	<b>105.39</b>	(2) 90281 / (2) 100025 5/8 x 8
2 1/2	2.65-2.88	33828-069	<b>14.42</b>	21366-045	<b>14.36</b>	55141-045	<b>27.53</b>	(2) 90281 / (2) 100025 5/8 x 8
3	2.85-3.13	34610-069	<b>15.91</b>	21368-045	<b>17.76</b>	55144-045	<b>30.72</b>	(4) 90281 / (4) 100025 5/8 x 8
	3.44-3.62	33829-069	<b>15.91</b>	21368-045	<b>17.76</b>	55144-045	<b>30.72</b>	(4) 90281 / (4) 100025 5/8 x 8
	3.80-3.96	33830-069	<b>15.91</b>	21369-045	<b>17.76</b>	55144-045	<b>30.72</b>	(4) 90281 / (4) 100025 5/8 x 8
	3.97-4.14	33831-069	<b>15.91</b>	21369-045	<b>17.76</b>	55144-045	<b>30.72</b>	(4) 90281 / (4) 100025 5/8 x 8
4	4.00-4.15	33809-069	<b>22.94</b>	22392-045	<b>20.45</b>	55131-045	<b>42.01</b>	(4) 90281 / (4) 100025 5/8 x 8
	4.22-4.50	33810-069	<b>22.94</b>	22392-045	<b>20.45</b>	55131-045	<b>42.01</b>	(4) 90281 / (4) 100025 5/8 x 8
	4.46-4.86	34578-069	<b>22.94</b>	22392-045	<b>20.45</b>	55131-045	<b>42.01</b>	(4) 90281 / (4) 100025 5/8 x 8
	4.80-5.10	33811-069	<b>22.94</b>	21353-045	<b>20.45</b>	55131-045	<b>42.01</b>	(4) 90281 / (4) 100025 5/8 x 8
	5.11-5.45	33812-069	<b>22.94</b>	21353-045	<b>20.45</b>	55131-045	<b>42.01</b>	(4) 90281 / (4) 100025 5/8 x 8
4-6	Reducing Coupling	*		*		55133-045	<b>169.59</b>	(8) 90257 / (8) 100025 5/8 x 4 1/2
6	6.00-6.15	33801-069	<b>29.98</b>	22393-045	<b>29.44</b>	55126-045	<b>54.97</b>	(4) 90281 / (4) 100025 5/8 x 8
	6.28-6.63	33802-069	<b>29.98</b>	22393-045	<b>29.44</b>	55126-045	<b>54.97</b>	(4) 90281 / (4) 100025 5/8 x 8
	6.56-6.96	34579-069	<b>29.98</b>	22393-045	<b>29.44</b>	55126-045	<b>54.97</b>	(4) 90281 / (4) 100025 5/8 x 8
	6.90-7.22	33803-069	<b>29.98</b>	21348-045	<b>29.44</b>	55126-045	<b>54.97</b>	(4) 90281 / (4) 100025 5/8 x 8
	7.25-7.65	33804-069	<b>29.98</b>	21349-045	<b>29.44</b>	55126-045	<b>54.97</b>	(4) 90281 / (4) 100025 5/8 x 8
6-8	Reducing Coupling	*		*		55127-045	<b>213.84</b>	(10)90257 / (10)100025 5/8 x 4 1/2

## 441 Omni Component Selection Chart

Nominal Size Inches	O.D. Range Inches	Gasket Two (2) Required	List Price	Flexi-Coat Epoxy Two (2) Required	List Price	Flexi-Coat Sleeve	List Price	441 Alloy Bolts & Nuts** (# Required) Bolt/Nut-005
8	8.00-8.16	33805-069	<b>\$32.09</b>	22394-045	<b>\$38.26</b>	55073-045	<b>\$70.99</b>	(6)90281 / (6)100025 5/8 x 8 (6)90297 / (6)100025
	8.17-8.40	33806-069	<b>32.09</b>	22394-045	<b>38.26</b>	55073-045	<b>70.99</b>	(6)90281 / (6)100025 5/8 x 8 (6)90297 / (6)100025
	8.10-8.63	33806-069	<b>32.09</b>	22394-045	<b>38.26</b>	55073-045	<b>70.99</b>	(6)90281 / (6)100025 5/8 x 8 (6)90297 / (6)100025
	8.54-9.11	34580-069	<b>32.09</b>	22394-045	<b>38.26</b>	55073-045	<b>70.99</b>	(6)90281 / (6)100025 5/8 x 8 (6)90297 / (6)100025
	9.05-9.45	33846-069	<b>32.09</b>	21350-045	<b>38.26</b>	55073-045	<b>70.99</b>	(6)90281 / (6)100025 5/8 x 8 (6)90297 / (6)100025
	9.05-9.30	33807-069	<b>32.09</b>	21350-045	<b>38.26</b>	55073-045	<b>70.99</b>	(6)90281 / (6)100025 5/8 x 8 (6)90297 / (6)100025
	9.46-9.85	33808-069	<b>32.09</b>	21351-045	<b>38.26</b>	55073-045	<b>70.99</b>	(6)90281 / (6)100025 5/8 x 8 (6)90297 / (6)100025
10	10	33860-069	<b>43.97</b>	21355-045	<b>45.83</b>	55134-045	<b>126.39</b>	(6)90297 / (6)100025 5/8 x 9 (6)90275 / (6)100025
	10.50-10.75	33813-069	<b>43.97</b>	21355-045	<b>45.83</b>	55134-045	<b>126.39</b>	(6)90297 / (6)100025 5/8 x 9 (6)90275 / (6)100025
	11.10-11.60	33814-069	<b>43.97</b>	21356-045	<b>45.83</b>	55134-045	<b>126.39</b>	(6)90297 / (6)100025 5/8 x 9 (6)90275 / (6)100025
	11.65-11.88	33815-069	<b>43.97</b>	21357-045	<b>45.83</b>	55134-045	<b>126.39</b>	(6)90297 / (6)100025 5/8 x 9 (6)90275 / (6)100025
	11.90-12.20	33816-069	<b>43.97</b>	21357-045	<b>45.83</b>	55134-045	<b>126.39</b>	(6)90297 / (6)100025 5/8 x 9 (6)90275 / (6)100025
12	12	33859-069	<b>49.04</b>	21359-045	<b>57.49</b>	55136-045	<b>150.15</b>	(8)90297 / (8)100025 5/8 x 9 (8)90275 / (8)100025 5/8
	12.50-12.75	33817-069	<b>49.04</b>	21359-045	<b>57.49</b>	55136-045	<b>150.15</b>	(8)90297 / (8)100025 5/8 x 9 (8)90275 / (8)100025 5/8
	13.20-13.50	33820-069	<b>49.04</b>	21360-045	<b>57.49</b>	55136-045	<b>150.15</b>	(8)90297 / (8)100025 5/8 x 9 (8)90275 / (8)100025 5/8
	13.51-13.75	33821-069	<b>49.04</b>	21360-045	<b>57.49</b>	55136-045	<b>150.15</b>	(8)90297 / (8)100025 5/8 x 9 (8)90275 / (8)100025 5/8
	13.90-14.20	33818-069	<b>49.04</b>	21361-045	<b>57.49</b>	55136-045	<b>150.15</b>	(8)90297 / (8)100025 5/8 x 9 (8)90275 / (8)100025 5/8
	14.21-14.40	33819-069	<b>49.04</b>	21361-045	<b>57.49</b>	55136-045	<b>150.15</b>	(8)90297 / (8)100025 5/8 x 9 (8)90275 / (8)100025 5/8

## 441 Omni Component Selection Chart

Nominal Size Inches	O.D. Range Inches	Gasket Two (2) Required	List Price	Flexi-Coat Epoxy Follower Flange Two (2) Required	List Price	Flexi-Coat Epoxy Sleeve	List Price	441 Alloy Bolts & Nuts**
								(# Required) Bolt/Nut-005
14	15.30-15.50	33822-069	<b>\$81.44</b>	21363-045	<b>120.60</b>	55138-045	<b>\$247.92</b>	(8) 90297 / (8)100025 5/8 x 9
	15.55-15.80	33823-069	<b>81.44</b>	21363-045	<b>120.60</b>	55138-045	<b>247.92</b>	(8) 90297 / (8)100025 5/8 x 9
	16.10-16.35	33835-069	<b>81.44</b>	21364-045	<b>120.60</b>	55138-045	<b>247.92</b>	(8) 90297 / (8)100025 5/8 x 9
	16.41-16.55	33824-069	<b>81.44</b>	21364-045	<b>120.60</b>	55138-045	<b>247.92</b>	(8) 90297 / (8)100025 5/8 x 9
	16.73-16.90	33825-069	<b>81.44</b>	21364-045	<b>120.60</b>	55138-045	<b>247.92</b>	(8) 90297 / (8)100025 5/8 x 9
16	17.40 -17.80	33832-07	<b>125.29</b>	21371-045	<b>168.22</b>	55146-045	<b>282.30</b>	(10)90275 / (10)100025 5/8 x 10 1/2
	18.46-18.90	33833-069	<b>125.29</b>	21372-045	<b>168.22</b>	55146-045	<b>282.30</b>	10)90297 / (10)100025 5/8 x 9
	18.90-19.20	33834-069	<b>125.29</b>	21372-045	<b>168.22</b>	55146-045	<b>282.30</b>	(10)90297 / (10)100025 5/8 x 9

## 441 Omni Bolts & Nuts Price List

Description	Part No.	List Price	Ctn. Qty.
Bolt, 3/8" x 3" Square	90114-001	<b>\$2.17</b>	50
Bolt, 3/8" x 3" Square	90114-002	<b>15.32</b>	50
Bolt, 7/16" x 4" Square	90048-001	<b>3.62</b>	50
Bolt, 7/16" x 4" Square	90048-002	<b>10.34</b>	50
Bolt, 1/2" x 7" Square	90301-001	<b>4.01</b>	50
Bolt, 1/2" x 7" Square	90301-002	<b>14.78</b>	50
Bolt, 5/8" x 4 1/2" Oval	90257-005	<b>3.45</b>	50
Bolt, 5/8" x 4 1/2" Oval	90257-002	<b>15.32</b>	50
Bolt, 5/8" x 6" Oval	90413-005	<b>3.60</b>	50
Bolt, 5/8" x 6" Oval	90413-002	<b>15.90</b>	50
Bolt, 5/8" x 6 7/8",	90192-005	<b>5.07</b>	50
Bolt, 5/8" x 6 7/8",	90192-002	<b>19.12</b>	50
Bolt, 5/8" x 8", Oval	90281-005	<b>4.18</b>	50
Bolt, 5/8" x 8" Oval	90281-023	<b>4.27</b>	50
Bolt, 5/8" x 8" Oval	90281-002	<b>21.22</b>	50
Bolt, 5/8" x 9" Oval	90297-005	<b>4.53</b>	50
Bolt, 5/8" x 9" Oval	90297-023	<b>6.44</b>	50

## 441 Omni Bolts & Nuts Price List

Description	Part No.	List Price	Ctn. Qty.
Bolt, 5/8" x 9" Oval	90297-002	<b>\$24.32</b>	50
Bolt, 5/8" x 10 1/2" Oval	90275-005	<b>4.96</b>	50
Bolt, 5/8" x 10 1/2" Oval	90275-023	<b>6.57</b>	50
Bolt, 5/8" x 10 1/2" Oval	90275-002	<b>26.72</b>	50
Bolt, 5/8" x 11" Oval	643302	<b>6.67</b>	50
Bolt, 5/8" x 11" Oval	643301	<b>50.94</b>	50
Bolt, 5/8" x 13 1/2" Oval	90276-005	<b>5.66</b>	50
Bolt, 5/8" x 13 1/2" Oval	90276-002	<b>35.52</b>	50
Bolt, 5/8" x 15" Oval	90282-005	<b>7.97</b>	50
Bolt, 5/8" x 15" Oval	90282-002	<b>36.83</b>	50
Bolt, 5/8" x 17" Square	90332-005	<b>10.37</b>	50
Bolt, 5/8" x 17" Square	90332-002	<b>43.97</b>	50
Bolt, 5/8" x 17" Oval	90422-002	<b>38.77</b>	50
Bolt, 5/8" x 17" Oval	90422-005	<b>8.19</b>	50
Bolt, 5/8" x 17" Oval	90422-023	<b>14.82</b>	50
Bolt, 5/8" x 19 1/2" Oval	90283-005	<b>8.41</b>	50
Bolt, 5/8" x 27 1/2" Oval	90284-005	<b>13.46</b>	50
Stud, 5/8" x 27 1/2" 304	90226-202	<b>65.34</b>	50
Bolt, 3/4" x 9 1/4"	90188-005	<b>7.73</b>	50
Bolt, 3/4" x 9 1/4"	90188-302	<b>37.44</b>	50
Bolt, 3/4" x 11 1/4"	90292-005	<b>10.07</b>	50
Bolt, 3/4" x 11 1/4"	90292-302	<b>43.55</b>	50
Nut, 3/8" Heavy Hex,	100010-001	<b>0.54</b>	50
Nut, 3/8" Heavy Hex,	100010-202	<b>3.15</b>	50
Nut, 7/16" Heavy Hex,	100029-001	<b>0.78</b>	50
Nut, 7/16" Heavy Hex,	100029-202	<b>3.90</b>	50
Nut, 1/2" Heavy Hex,	100011-001	<b>0.58</b>	50
Nut, 1/2" Heavy Hex,	100011-202	<b>4.00</b>	50
Nut, 5/8" Heavy Hex,	100025-001	<b>1.55</b>	50
Nut, 5/8" Heavy Hex,	100025-005	<b>1.21</b>	50
Nut, 5/8" Heavy Hex,	100025-202	<b>7.22</b>	50
Nut, 5/8" Heavy Hex,	100025-224	<b>4.46</b>	50
Nut, 5/8 Heavy Hex,	100234-205	<b>2.51</b>	50
Nut, 3/4" Heavy Hex,	100032-001	<b>2.06</b>	50
Nut, 3/4" Heavy Hex.	100032-005	<b>1.71</b>	50
Nut, 3/4" Heavy Hex,	100032-202	<b>7.09</b>	50
Nut, 7/8" Heavy Hex,	100072-005	<b>8.43</b>	50
Washer, 7/16" Flat,	150020-001	<b>0.38</b>	100
Washer, 7/16" Flat, 304	150020-002	<b>0.58</b>	100
Washer, 5/8" Flat,	150018-001	<b>0.24</b>	100
Washer, 5/8" Flat, 304	150018-002	<b>1.75</b>	100
Washer, 3/4" Flat,	150032-001	<b>0.53</b>	100
Washer, 3/4" Flat, 304	150032-002	<b>3.08</b>	100
Washer, 1/2" Spring,	150116-002	<b>6.83</b>	100
Washer, 5/8" Spring,	150115-002	<b>7.83</b>	100
Washer, 3/4" Spring,	150117-002	<b>9.99</b>	100

\*Two nuts (2) per bolt required

†FOR USE ON APPROVED HDPE PRODUCTS. TWO WASHERS PER BOLT REQUIRED.



## 442 Omni Long Sleeve Cast Coupling Straight & Transition

Nominal Size Inches	O.D. Range Inches		7" Sleeve Length -200 Catalog Number	List Price	Approx. Weight lbs.	12" Sleeve Length -400 Catalog Number	List Price	Apx. Wgt. Lbs.
	End 1	End 2						
4	4.00-4.15	4.00-4.15	442-00000415-200	<b>\$204.13</b>	22	442-00000415-400	<b>\$335.16</b>	38
	4.22-4.50	4.22-4.50	442-00000450-200	<b>204.13</b>	22	442-00000450-400	<b>335.16</b>	38
	4.46-4.86	4.46-4.86	442-00000486-200	<b>204.13</b>	22	442-00000486-400	<b>335.16</b>	38
	4.80-5.10	4.80-5.10	442-00000510-200	<b>204.13</b>	22	442-00000510-400	<b>335.16</b>	38
	5.11-5.45	5.11-5.45	442-00000545-200	<b>204.13</b>	22	442-00000545-400	<b>335.16</b>	38
	4.22-4.50	4.00-4.15	442-04500415-200	<b>204.13</b>	22	442-04500415-400	<b>335.16</b>	38
	4.46-4.86	4.22-4.50	442-04860450-200	<b>204.13</b>	22	442-04860450-400	<b>335.16</b>	38
	4.80-5.10	4.00-4.15	442-05100415-200	<b>204.13</b>	22	442-05100415-400	<b>335.16</b>	38
	4.80-5.10	4.22-4.50	442-05100450-200	<b>204.13</b>	22	442-05100450-400	<b>335.16</b>	38
	4.80-5.10	4.46-4.86	442-05100486-200	<b>204.13</b>	22	442-05100486-400	<b>335.16</b>	38
	5.11-5.45	4.00-4.15	442-05450415-200	<b>204.13</b>	22	442-05450415-400	<b>335.16</b>	38
	5.11-5.45	4.22-4.50	442-05450450-200	<b>204.13</b>	22	442-05450450-400	<b>335.16</b>	38
	5.11-5.45	4.46-4.86	442-05450486-200	<b>204.13</b>	22	442-05450486-400	<b>335.16</b>	38
	5.11-5.45	4.80-5.10	442-05450510-200	<b>204.13</b>	22	442-05450510-400	<b>335.16</b>	38
6	6.00-6.15	6.00-6.15	442-00000615-200	<b>278.84</b>	30	442-00000615-400	<b>425.21</b>	48
	6.28-6.63	6.28-6.63	442-00000663-200	<b>278.84</b>	30	442-00000663-400	<b>425.21</b>	48
	6.56-6.96	6.56-6.96	442-00000696-200	<b>278.84</b>	30	442-00000696-400	<b>425.21</b>	48
	6.90-7.22	6.90-7.22	442-00000722-200	<b>278.84</b>	30	442-00000722-400	<b>425.21</b>	48
	7.25-7.65	7.25-7.65	442-00000765-200	<b>278.84</b>	30	442-00000765-400	<b>425.21</b>	48
	6.28-6.63	6.00-6.15	442-06630615-200	<b>278.84</b>	30	442-06630615-400	<b>425.21</b>	48
	6.56-6.96	6.00-6.15	442-06960615-200	<b>278.84</b>	30	442-06960615-400	<b>425.21</b>	48
	6.90-7.22	6.00-6.15	442-07220615-200	<b>278.84</b>	30	442-07220615-400	<b>425.21</b>	48
	6.90-7.22	6.28-6.63	442-07220663-200	<b>278.84</b>	30	442-07220663-400	<b>425.21</b>	48
	6.90-7.22	6.56-6.96	442-07220696-200	<b>278.84</b>	30	442-07220696-400	<b>425.21</b>	48
	7.25-7.65	6.00-6.15	442-07650615-200	<b>278.84</b>	30	442-07650615-400	<b>425.21</b>	48
	7.25-7.65	6.56-6.96	442-07650696-200	<b>278.84</b>	30	442-07650696-400	<b>425.21</b>	48
	7.25-7.65	6.90-7.22	442-07650722-200	<b>278.84</b>	30	442-07650722-400	<b>425.21</b>	48
	8	8.00-8.16	8.00-8.16	442-00000800-200	<b>353.83</b>	39	442-00000800-400	<b>588.95</b>
8.40-8.63		8.40-8.63	442-00000863-200	<b>353.83</b>	39	442-00000863-400	<b>588.95</b>	71
8.54-9.11		8.54-9.11	442-00000911-200	<b>353.83</b>	39	442-00000911-400	<b>588.95</b>	71
9.05-9.30		9.05-9.30	442-00000930-200	<b>353.83</b>	39	442-00000930-400	<b>588.95</b>	71
9.05-9.45		9.05-9.45	442-00000945-200	<b>353.83</b>	39	442-00000945-400	<b>588.95</b>	71
9.46-9.85		9.46-9.85	442-00000985-200	<b>353.83</b>	39	442-00000985-400	<b>588.95</b>	71
8.40-8.63		8.00-8.16	442-08630800-200	<b>353.83</b>	39	442-08630800-400	<b>588.95</b>	71
8.54-9.11		8.00-8.16	442-09110800-200	<b>353.83</b>	39	442-09110800-400	<b>588.95</b>	71
9.05-9.45		8.00-8.16	442-09450800-200	<b>353.83</b>	39	442-09450800-400	<b>588.95</b>	71
9.05-9.45		8.40-8.63	442-09450863-200	<b>353.83</b>	39	442-09450863-400	<b>588.95</b>	71
9.05-9.45		8.54-9.11	442-09450911-200	<b>353.83</b>	39	442-09450911-400	<b>588.95</b>	71
9.46-9.85		8.00-8.16	442-09850800-200	<b>353.83</b>	39	442-09850800-400	<b>588.95</b>	71
9.46-9.85		8.40-8.63	442-09850863-200	<b>353.83</b>	39	442-09850863-400	<b>588.95</b>	71
9.46-9.85		8.54-9.11	442-09850911-200	<b>353.83</b>	39	442-09850911-400	<b>588.95</b>	71
9.46-9.85		9.05-9.45	442-09850945-200	<b>353.83</b>	39	442-09850945-400	<b>588.95</b>	71



## 442 Omni Long Sleeve Cast Coupling Straight & Transition

Nominal Size Inches	O.D. Range Inches		12" Sleeve Length -400 Catalog Number	List Price	Approx Weight lbs.
	End 1	End 2			
10	10.00	10.00	442-00001000-400	<b>\$674.72</b>	80
	10.50-10.75	10.50-10.75	442-00001075-400	<b>674.72</b>	80
	11.10-11.60	11.10-11.60	442-00001160-400	<b>674.72</b>	80
	11.65-11.88	11.65-11.88	442-00001188-400	<b>674.72</b>	80
	11.90-12.20	11.90-12.20	442-00001220-400	<b>674.72</b>	80
	10.50-10.75	10.00	442-10751000-400	<b>674.72</b>	80
	11.10-11.60	10.00	442-11601000-400	<b>674.72</b>	80
	11.10-11.60	10.50-10.75	422-11601075-400	<b>674.72</b>	80
	11.65-11.88	10.00	442-11881000-400	<b>674.72</b>	80
	11.65-11.88	10.50-10.75	442-11881075-400	<b>674.72</b>	80
	11.65-11.88	11.10-11.60	442-11881160-400	<b>674.72</b>	80
	11.90-12.20	10.00	442-12201000-400	<b>674.72</b>	80
	11.90-12.20	10.50-10.75	442-12201075-400	<b>674.72</b>	80
	11.90-12.20	11.10-11.60	442-12201160-400	<b>674.72</b>	80
11.90-12.20	11.65-11.88	442-12201188-400	<b>674.72</b>	80	
12	12.00	12.00	442-00001200-400	<b>\$743.74</b>	90
	12.50-12.75	12.50-12.75	442-00001275-400	<b>743.74</b>	90
	13.20-13.50	13.20-13.50	442-00001350-400	<b>743.74</b>	90
	13.51-13.75	13.51-13.75	442-00001375-400	<b>743.74</b>	90
	13.90-14.20	13.90-14.20	442-00001420-400	<b>743.74</b>	90
	14.21-14.40	14.21-14.40	442-00001440-400	<b>743.74</b>	90
	12.50-12.75	12.00	442-12751200-400	<b>743.74</b>	90
	13.20-13.50	12.00	442-13501200-400	<b>743.74</b>	90
	13.20-13.50	12.50-12.75	442-13501275-400	<b>743.74</b>	90
	13.51-13.75	12.00	442-13751200-400	<b>743.74</b>	90
	13.51-13.75	12.50-12.75	442-13751275-400	<b>743.74</b>	90
	13.51-13.75	13.20-13.50	442-13751350-400	<b>743.74</b>	90
	13.90-14.20	12.00	442-14201200-400	<b>743.74</b>	90
	13.90-14.20	12.50-12.75	442-14201275-400	<b>743.74</b>	90
	13.90-14.20	13.20-13.50	442-14201350-400	<b>743.74</b>	90
	13.90-14.20	13.51-13.75	442-14201375-400	<b>743.74</b>	90
	14.21-14.40	12.00	442-14401200-400	<b>743.74</b>	90
	14.21-14.40	12.50-12.75	442-14401275-400	<b>743.74</b>	90
14.21-14.40	13.20-13.50	442-14401350-400	<b>743.74</b>	90	
14.21-14.40	13.51-13.75	442-14401375-400	<b>743.74</b>	90	
14.21-14.40	13.90-14.20	442-14401420-400	<b>743.74</b>	90	

Suitable anchorage must be provided when excessive pipe movement could cause the pipe to move out of the coupling.



## 442 Omni Long Sleeve Cast Coupling Straight & Transition

Nominal Size Inches	O.D. Range Inches		12" Sleeve Length -400 Catalog Number	List Price	Approx. Weight lbs.
	End 1	End 2			
14	15.30-15.50	15.30-15.50	442-00001550-400	<b>1,063.55</b>	105
	15.55-15.80	15.55-15.80	442-00001580-400	<b>1,063.55</b>	105
	16.10-16.35	16.10-16.35	442-00001622-400	<b>1,063.55</b>	105
	16.41-16.55	16.41-16.55	442-00001655-400	<b>1,063.55</b>	105
	16.73-16.90	16.73-16.90	442-00001690-400	<b>1,063.55</b>	105
	15.55-15.80	15.30-15.50	442-15801550-400	<b>1,063.55</b>	105
	16.10-16.35	15.30-15.50	442-16221550-400	<b>1,063.55</b>	105
	16.10-16.35	15.55-15.80	442-16221580-400	<b>1,063.55</b>	105
	16.41-16.55	15.30-15.50	442-16551550-400	<b>1,063.55</b>	105
	16.41-16.55	15.55-15.80	442-16551580-400	<b>1,063.55</b>	105
	16.41-16.55	16.10-16.35	442-16551622-400	<b>1,063.55</b>	105
	16.73-16.90	15.30-15.50	442-16901550-400	<b>1,063.55</b>	105
	16.73-16.90	15.55-15.80	442-16901580-400	<b>1,063.55</b>	105
	16.73-16.90	16.10-16.35	442-16901622-400	<b>1,063.55</b>	105
16.73-16.90	16.41-16.55	442-16901655-400	<b>1,063.55</b>	105	
16	17.40-17.80	17.40-17.80	442-00001780-400	<b>\$1,283.59</b>	127
	18.46-18.90	18.46-18.90	442-00001890-400	<b>\$1,283.59</b>	127
	18.90-19.20	18.90-19.20	442-00001920-400	<b>\$1,283.59</b>	127
	18.46-18.90	17.40-17.80	442-18901780-400	<b>\$1,283.59</b>	127
	18.90-19.20	17.40-17.80	442-19201780-400	<b>\$1,283.59</b>	127
	18.90-19.20	18.46-18.90	442-19201890-400	<b>\$1,283.59</b>	127

## 442 Omni Long Sleeve Component Selection Chart

Nominal Size Inches	Flexi-Coat Epoxy Sleeve			Sleeve List Price	442 Bolts & Nuts (# required) Bolt/Nut
	O.D. Range Inches	Length Inches	Catalog Number		
4	4.00-5.45	7	55646-045	<b>\$90.21</b>	(4) 90275/ (4) 100025
	4.00-5.45	12	56827-045	<b>206.39</b>	(4) 90282/ (4) 100025
6	6.00-7.65	7	55647-045	<b>121.98</b>	(4) 90275/ (4) 100025
	6.00-7.65	12	56828-045	<b>252.68</b>	(4) 90282/ (4) 100025
8	8.00-9.85	7	55648-045	<b>157.67</b>	(6) 90275/ (6) 100025
	8.00-9.85	12	56839-045	<b>368.68</b>	(6) 90282/ (6) 100025
10	10.00-12.20	12	56830-045	<b>400.62</b>	(6) 90422/ (6) 100025
12	12.00-14.40	12	56831-045	<b>432.56</b>	(8) 90282/ (6) 100025
14	15.30-16.90	12	56832-045	<b>544.37</b>	(8) 90282/ (8) 100025
16	17.40-19.20	12	56833-045	<b>656.25</b>	(10) 90422/ (10) 100025



## 461 Quantum Couplings

### Alloy Epoxy Coated Bolts and Nuts

Nominal Size Inches	O.D. Range Inches	Catalog Number	Sleeve Length Inches	List Price	Approx. Weight lbs.
1 1/2	1.81-2.28	461-01810228-000	4.0	<b>\$85.63</b>	8
2	2.34-2.85	461-02340285-000	4.0	<b>\$108.31</b>	9
2 1/2	2.84-3.35	461-02840335-000	4.0	<b>\$139.57</b>	10
3	3.46-4.21	461-03460421-000	5.0	<b>\$171.61</b>	15
4	4.46-5.60	461-04460560-000	5.5	<b>\$209.39</b>	26
6	6.54-7.65	461-06540765-000	6.0	<b>\$295.25</b>	36
8	8.54-9.85	461-08540985-000	6.0	<b>\$344.49</b>	46
10	10.65-12.20	461-10651220-000	7.5	<b>\$433.07</b>	63
12	12.75-14.40	461-12751440-000	7.5	<b>\$512.26</b>	95

### 304 Stainless Steel Epoxy Coated Bolts and Nuts

Nominal Size Inches	O.D. Range Inches	Catalog Number	Sleeve Length Inches	List Price	Approx. Weight lbs.
1 1/2	1.81-2.28	461-01810228-031	4.0	<b>\$153.26</b>	8
2	2.34-2.85	461-02340285-031	4.0	<b>\$186.40</b>	9
2 1/2	2.84-3.35	461-02840335-031	4.0	<b>\$209.07</b>	11
3	3.46-4.21	461-03460421-031	5.0	<b>\$286.23</b>	15
4	4.46-5.60	461-04460560-031	5.5	<b>\$355.37</b>	26
6	6.54-7.65	461-06540765-031	6.0	<b>\$492.67</b>	36
8	8.54-9.85	461-08540985-031	6.0	<b>\$592.46</b>	46
10	10.65-12.20	461-10651220-031	7.5	<b>\$768.36</b>	63
12	12.75-14.40	461-12751440-031	7.5	<b>\$897.15</b>	73

Suitable anchorage must be provided when excessive pipe movement could cause the pipe to move out of the coupling.



## 462 Quantum Couplings 12" Sleeve 304 Stainless Steel Epoxy Coated Bolts and Nuts

Nominal Size Inches	O.D. Range Inches	Catalog Number	Sleeve Length Inches	List Price	Approx. Weight lbs.
4	4.46-5.60	462-04460560-000	12	<b>\$344.56</b>	33
6	6.54-7.65	462-06540765-000	12	<b>437.15</b>	42
8	8.54-9.85	462-08540985-000	12	<b>605.45</b>	58
10	10.65-12.20	462-10651220-000	12	<b>707.55</b>	85
12	12.75-14.40	462-12751440-000	12	<b>842.27</b>	99

Suitable anchorage must be provided when excessive pipe movement could cause the pipe to move out of the coupling.



## 462 Quantum Couplings 12" Sleeve 304 Stainless Steel Epoxy Coated Bolts and Nuts

Nominal Size Inches	O.D. Range Inches	Catalog Number	Sleeve Length Inches	List Price	Approx. Weight lbs.
4	4.46-5.60	462-04460560-031	12	<b>\$569.68</b>	33
6	6.54-7.65	462-06540765-031	12	<b>663.72</b>	42
8	8.54-9.85	462-08540985-031	12	<b>868.51</b>	58
10	10.65-12.20	462-10651220-031	12	<b>1,018.84</b>	85
12	12.75-14.40	462-12751440-031	12	<b>1,194.35</b>	99

Suitable anchorage must be provided when excessive pipe movement could cause the pipe to move out of the coupling.



## 481 Steel End Cap Couplings

Nominal Size Inches	O.D. Range Inches	Catalog Number	List Price	Approx. Weight lbs.
2	2.38	481-02380114-003	<b>\$364.61</b>	10
	2.50	481-02500114-003	<b>364.61</b>	10
3	3.50	481-03500114-003	<b>415.14</b>	13
	3.74	481-03740114-003	<b>415.14</b>	13
	3.80	481-03800114-003	<b>415.14</b>	13
	3.88	481-03880114-003	<b>415.14</b>	13
	3.96	481-03960114-003	<b>415.14</b>	13
4	4.50	481-04500114-003	<b>439.13</b>	15
	4.64	481-04640114-003	<b>439.13</b>	15
	4.80	481-04800114-003	<b>439.13</b>	15
6	6.63	481-06630114-003	<b>478.89</b>	28
	6.90	481-06900114-003	<b>478.89</b>	28
8	7.65	481-07650114-003	<b>560.27</b>	39
	8.63	481-08630114-003	<b>560.27</b>	39
	9.05	481-09050114-003	<b>560.27</b>	39
10	10.75	481-10750114-003	<b>968.69</b>	46
	11.10	481-11100114-003	<b>968.69</b>	50
	11.40	481-11400114-003	<b>968.69</b>	53
	11.66	481-11660114-003	<b>968.69</b>	53
12	12.75	481-12750114-003	<b>1,182.16</b>	58
	13.20	481-13200114-003	<b>1,182.16</b>	59
	13.50	481-13500114-003	<b>1,182.16</b>	59
	13.92	481-13920114-003	<b>1,182.16</b>	64



## 481 Pipe End Cap Couplings

Nominal Size Inches	O.D. Range Inches	Catalog Number	List Price	Approx. Weight lbs.
14	14.00	481-14000114-003	<b>1,357.27</b>	89
	15.30	481-15300114-003	<b>1,357.27</b>	91
	15.65	481-15650114-003	<b>1,357.27</b>	92
16	16.00	481-16000114-003	<b>1,495.62</b>	110
	17.40	481-17400114-003	<b>1,495.62</b>	110
	17.80	481-17800114-003	<b>1,495.62</b>	110
18	19.50	481-19500114-003	<b>1,556.87</b>	150
	19.92	481-19920114-003	<b>1,556.87</b>	150
20	21.60	481-21600114-003	<b>1,689.70</b>	180
	22.06	481-22060114-003	<b>1,689.70</b>	180

End caps are furnished with 2" Female Iron Pipe Thread Outlet.  
 Larger sizes and sizes not listed are available, priced on application.  
 Special size outlets available and priced on application.



## 482 Omni Cast Pipe Ends Coupling Alloy Bolts & Nuts

Nominal Size Inches	O.D. Range Inches	Catalog Number	List Price	Approx. Weight lbs.
2	2.34-2.63	482-00026306-900	<b>\$126.06</b>	9
2 1/2	2.65-2.88	482-00028806-900	<b>150.81</b>	10
3	2.85-3.13	482-00031306-900	<b>185.18</b>	15
	3.44-3.62	482-00035006-900	<b>185.18</b>	15
	3.80-3.96	482-00039606-900	<b>185.18</b>	15
	3.97-4.14	482-00041406-900	<b>185.18</b>	15
4	4.00-4.15	482-00041506-900	<b>213.10</b>	18
	4.22-4.50	482-00045006-900	<b>213.10</b>	18
	4.46-4.86	482-00048606-900	<b>213.10</b>	18
	4.80-5.10	482-00051006-900	<b>213.10</b>	18
	5.11-5.45	482-00054506-900	<b>213.10</b>	18
6	6.00-6.15	482-00061506-900	<b>283.20</b>	30
	6.28-6.63	482-00066306-900	<b>283.20</b>	30
	6.56-6.96	482-00069606-900	<b>283.20</b>	30
	6.90-7.22	482-00072206-900	<b>283.20</b>	30
	7.25-7.65	482-00076506-900	<b>283.20</b>	30
8	8.00-8.16	482-00080006-900	<b>373.76</b>	39
	8.40-8.63	482-00086306-900	<b>373.76</b>	39
	8.54-9.11	482-00091106-900	<b>373.76</b>	39
	9.05-9.45	482-00094506-900	<b>373.76</b>	39
	9.46-9.85	482-00098506-900	<b>373.76</b>	39
10	10.00	482-00100006-900	<b>648.68</b>	57
	10.50-10.75	482-00107506-900	<b>648.68</b>	57
	11.10-11.60	482-00116006-900	<b>648.68</b>	57
	11.65-11.88	482-00118806-900	<b>648.68</b>	57
	11.90-12.20	482-00122006-900	<b>648.68</b>	57
12	12.00	482-00120006-900	<b>849.93</b>	75
	12.50-12.75	482-00127506-900	<b>849.93</b>	75
	13.250-13.50	482-00135006-900	<b>849.93</b>	75
	13.51-13.75	482-00137506-900	<b>849.93</b>	75
	13.90-14.20	482-00142006-900	<b>849.93</b>	75
	14.21-14.40	482-00144006-900	<b>849.93</b>	75

For Stainless Steel nuts and bolts change end code to -931  
 Thrust restraint is always required when the line is in use.  
 End Caps are furnished with 1" NPT threaded outlet in 2" - 3".  
 End Caps are furnished with 2" NPT threaded outlet in 4"-12" end caps.



## 482 Omni Component Selection Chart

Nominal Size Inches	O.D. Range Inches	482 Bolts & Nuts	Flexi-Coat Epoxy	
		(# required) Bolt/Nut	482 End Cap	*482 End Cap Price
2	2.34-2.63	(2) 90281/ (2) 100025 5/8 x 8	21365-245	<b>\$59.29</b>
2-2 1/2	2.65-2.88	(2) 90281/ (2) 100025 5/8 x 8	21367-245	<b>\$60.90</b>
3	2.85-4.14	(4) 90281/ (4) 100025 5/8 x 8	21370-245	<b>\$72.07</b>
4	4.00-5.45	(4) 90281/ (4) 100025 5/8 x 8	21354-245	<b>\$72.07</b>
6	6.00-7.65	(4) 90281/ (4) 100025 5/8 x 8	21347-245	<b>\$101.82</b>
8	8.00-9.85	(6) 90281/ (6) 100025 5/8 x 8	21345-245	<b>\$144.77</b>
10	10.00-12.20	(6) 90297/ (6) 100025 5/8 x 9	21358-245	<b>\$322.72</b>
12	12.00-14.40	(8) 90297/ (8) 100025 5/8 x 9	21362-245	<b>\$461.41</b>

\*This component requires the largest gasket within its nominal pipe for proper fit.



## 525 Compression Couplings

Nominal Size Inches	O.D. Inches	Approx. Weight lbs.	Ctn. Wt. Lbs.	Catalog Number	List Price	Approx. Weight lbs.
1/2	0.84	1	24	525-00008400-003	<b>\$25.98</b>	24
3/4	1.05	2	32	525-00010500-003	<b>30.21</b>	24
1	1.32	2	24	525-00013200-003	<b>34.11</b>	16
1 1/4	1.66	2	22	525-00016600-003	<b>44.39</b>	12
1 1/2	1.90	3	33	525-00019000-003	<b>50.19</b>	12
2	2.38	4	42	525-00023800-003	<b>62.25</b>	12

Adapter Gaskets For use with 411 & 525 Coupling (Adapts Steel Size to Copper Tubing Size)

Nominal Size Inches	Coupling O.D. Inches	To Fit Copper Tubing O.D. Inches	Catalog Number	List Price
1/2	0.84	0.63	000-00038420-069	<b>\$13.85</b>
3/4	1.05	0.88	000-00038421-069	<b>14.39</b>
1	1.32	1.13	000-00038422-069	<b>15.15</b>
1 1/4	1.66	1.38	000-00038423-069	<b>17.26</b>
1 1/2	1.90	1.63	000-00038424-069	<b>22.70</b>
2	2.38	2.13	000-00038425-069	<b>23.33</b>



## 611 Expansion Joints Alloy Bolts & Nuts | Plain Ends Beveled for Welding

Nominal Size Inches	Without Slip Pipe--Without Limit Rods		Expanded Length 26"	
	O.D.	Catalog Number	List Price	Approx. Weight lbs.
3	3.50	611-03501010-000	P.O.A.	50
4	4.50	611-04501010-000	P.O.A.	65
6	6.63	611-06631010-000	P.O.A.	90
8	8.63	611-08631010-000	P.O.A.	125
10	10.75	611-10751010-000	P.O.A.	165
12	12.75	611-12751010-000	P.O.A.	195
14	14.00	611-14001010-000	P.O.A.	220
16	16.00	611-16001010-000	P.O.A.	250
18	18.00	611-18001010-000	P.O.A.	280
20	20.00	611-20001010-000	P.O.A.	310
22	22.00	611-22001010-000	P.O.A.	340
24	24.00	611-24001010-000	P.O.A.	370

Nominal Size Inches	With Slip Pipe--Without Limit Rods		Expanded Length 38"	
	O.D.	Catalog Number	List Price	Approx. Weight lbs.
3	3.50	611-03502010-000	P.O.A.	75
4	4.50	611-04502010-000	P.O.A.	90
6	6.63	611-06632010-000	P.O.A.	125
8	8.63	611-08632010-000	P.O.A.	200
10	10.75	611-10752010-000	P.O.A.	270
12	12.75	611-12752010-000	P.O.A.	300
14	14.00	611-14002010-000	P.O.A.	335
16	16.00	611-16002010-000	P.O.A.	385
18	18.00	611-18002010-000	P.O.A.	475
20	20.00	611-20002010-000	P.O.A.	520
22	22.00	611-22002010-000	P.O.A.	560
24	24.00	611-24002010-000	P.O.A.	625



## 611 Expansion Joints Single End, 10" Expansion, Alloy Bolts & Nuts

Nominal Size Inches	With Slip Pipe--With Limit Rods		Expanded Length 40 1/2"	
	O.D.	Catalog Number	List Price	Approx. Weight lbs.
3	3.50	611-03503010-000	P.O.A.	80
4	4.50	611-04503010-000	P.O.A.	100
6	6.63	611-06633010-000	P.O.A.	150
8	8.63	611-08633010-000	P.O.A.	200
10	10.75	611-10753010-000	P.O.A.	265
12	12.75	611-12753010-000	P.O.A.	330
14	14.00	611-14003010-000	P.O.A.	380
16	16.00	611-16003010-000	P.O.A.	430
18	18.00	611-18003010-000	P.O.A.	480
20	20.00	611-20003010-000	P.O.A.	540
22	22.00	611-22003010-000	P.O.A.	595
24	24.00	611-24003010-000	P.O.A.	650

\*Hard chrome plated slip pipes are standard.

### Flanged Ends

Nominal Size Inches	With Slip Pipe--Without Limit Rods		Expanded Length 39"	
	O.D.	Catalog Number	List Price	Approx. Weight lbs.
3	3.50	611-03504010-000	P.O.A.	90
4	4.50	611-04504010-000	P.O.A.	115
6	6.63	611-06634010-000	P.O.A.	165
8	8.63	611-08634010-000	P.O.A.	260
10	10.75	611-10754010-000	P.O.A.	355
12	12.75	611-12754010-000	P.O.A.	425
14	14.00	611-14004010-000	P.O.A.	515
16	16.00	611-16004010-000	P.O.A.	580
18	18.00	611-18004010-000	P.O.A.	735
20	20.00	611-20004010-000	P.O.A.	850
22	22.00	611-22004010-000	P.O.A.	930
24	24.00	611-24004010-000	P.O.A.	1065

Nominal Size Inches	With Slip Pipe--With Limit Rods		Expanded Length 50 1/2"	
	O.D.	Catalog Number	List Price	Approx. Weight lbs.
3	3.50	611-03505010-000	P.O.A.	95
4	4.50	611-04505010-000	P.O.A.	125
6	6.63	611-06635010-000	P.O.A.	185
8	8.63	611-08635010-000	P.O.A.	260
10	10.75	611-10755010-000	P.O.A.	350
12	12.75	611-12755010-000	P.O.A.	460
14	14.00	611-14005010-000	P.O.A.	560
16	16.00	611-16005010-000	P.O.A.	685
18	18.00	611-18005010-000	P.O.A.	740
20	20.00	611-20005010-000	P.O.A.	870
22	22.00	611-22005010-000	P.O.A.	965
24	24.00	611-24005010-000	P.O.A.	1090

Hard chrome plated slip pipes are standard.



**612 Expansion Joints**  
**Double End, 10" Expansion,**  
**Alloy Bolts & Nuts | Plain Ends Beveled for Welding**

Nominal Size Inches	With Slip Pipe--Without Limit Rods		Expanded Length 36"	
	O.D. Inches	Catalog Number	List Price	Approx. Weight lbs.
3	3.50	612-03501010-000	P.O.A.	60
4	4.50	612-04501010-000	P.O.A.	75
6	6.63	612-06631010-000	P.O.A.	100
8	8.63	612-08631010-000	P.O.A.	145
10	10.75	612-10751010-000	P.O.A.	180
12	12.75	612-12751010-000	P.O.A.	205
14	14.00	612-14001010-000	P.O.A.	235
16	16.00	612-16001010-000	P.O.A.	265
18	18.00	612-18001010-000	P.O.A.	305
20	20.00	612-20001010-000	P.O.A.	335
22	22.00	612-22001010-000	P.O.A.	370
24	24.00	612-24001010-000	P.O.A.	40



**612 Expansion Joints**  
**Double End, 10" Expansion, Alloy Bolts & Nuts**

Nominal Size Inches	With Slip Pipe--Without Limit Rods		Expanded Length 48"	
	O.D.	Catalog Number	List Price	Approx. Weight
3	3.50	612-03502010-000	P.O.A.	85
4	4.50	612-04502010-000	P.O.A.	120
6	6.63	612-06632010-000	P.O.A.	160
8	8.63	612-08632010-000	P.O.A.	230
10	10.75	612-10752010-000	P.O.A.	290
12	12.75	612-12752010-000	P.O.A.	405
14	14.00	612-14002010-000	P.O.A.	475
16	16.00	612-16002010-000	P.O.A.	530
18	18.00	612-18002010-000	P.O.A.	575
20	20.00	612-20002010-000	P.O.A.	625
22	22.00	612-22002010-000	P.O.A.	670
24	24.00	612-24002010-000	P.O.A.	740



**612 Expansion Joints**  
**Double End, 10" Expansion (5" Each End)**  
**Epoxy Coating with Alloy Bolts & Nuts**

Nominal Size Inches	With Slip Pipe--With Limit Rods		Expanded Length 54"	
	O.D.	Catalog Number	List Price	Approx. Weight
3	3.50	612-03503010-000	P.O.A.	100
4	4.50	612-04503010-000	P.O.A.	130
6	6.63	612-06633010-000	P.O.A.	190
8	8.63	612-08633010-000	P.O.A.	270
10	10.75	612-10753010-000	P.O.A.	350
12	12.75	612-12753010-000	P.O.A.	425
14	14.00	612-14003010-000	P.O.A.	485
16	16.00	612-16003010-000	P.O.A.	550
18	18.00	612-18003010-000	P.O.A.	610
20	20.00	612-20003010-000	P.O.A.	700
22	22.00	612-22003010-000	P.O.A.	770
24	24.00	612-24003010-000	P.O.A.	840

\*Hard chrome plated slip pipes are standard.



**612 Expansion Joints**  
**Double End, 10" Expansion (5" Each End)**  
**Epoxy Coating with Alloy Bolts & Nuts**

Flanged Ends

Nominal Size Inches	With Slip Pipe--Without Limit Rods		Expanded Length 56"	
	O.D.	Catalog Number	List Price	Approx. Weight
3	3.50	612-03504010-000	P.O.A.	100
4	4.50	612-04504010-000	P.O.A.	145
6	6.63	612-06634010-000	P.O.A.	200
8	8.63	612-08634010-000	P.O.A.	290
10	10.75	612-10754010-000	P.O.A.	375
12	12.75	612-12754010-000	P.O.A.	535
14	14.00	612-14004010-000	P.O.A.	585
16	16.00	612-16004010-000	P.O.A.	725
18	18.00	612-18004010-000	P.O.A.	835
20	20.00	612-20004010-000	P.O.A.	955
22	22.00	612-22004010-000	P.O.A.	1040
24	24.00	612-24004010-000	P.O.A.	1180



## 612 Expansion Joints

### Double End, 10" Expansion (5" Each End) Epoxy Coating with Alloy Bolts & Nuts

Nominal Size Inches	With Slip Pipe--With Limit Rods		Expanded Length 71"	
	O.D.	Catalog Number	List Price	Approx. Weight
3	3.50	612-03505010-000	P.O.A.	115
4	4.50	612-04505010-000	P.O.A.	155
6	6.63	612-06635010-000	P.O.A.	230
8	8.63	612-08635010-000	P.O.A.	330
10	10.75	612-10755010-000	P.O.A.	435
12	12.75	612-12755010-000	P.O.A.	555
14	14.00	612-14005010-000	P.O.A.	665
16	16.00	612-16005010-000	P.O.A.	745
18	18.00	612-18005010-000	P.O.A.	870
20	20.00	612-20005010-000	P.O.A.	1030
22	22.00	612-22005010-000	P.O.A.	1140
24	24.00	612-24005010-000	P.O.A.	1280

\*Hard chrome plated slip pipes are standard.



## 622 Carbon Steel Tapping Sleeves Size-on-Size and Reducing

Nominal Size Pipe x Flg. Outlet Inches	O.D. Range Inches	Alloy Bolts & Nuts		304 Stainless Steel Bolts & Nuts		Approx. Weight lbs.
		Catalog Number	List Price	Catalog Number	List Price	
4 x 4*	4.50	622-04500400-203	<b>\$731.37</b>	622-04500400-231	<b>\$797.62</b>	34
4 x 4*	4.80	622-04800400-203	<b>731.37</b>	622-04800400-231	<b>797.62</b>	34
6 x 4	6.57-6.73	622-06630400-003	<b>669.50</b>	622-06630400-031	<b>730.13</b>	71
6 x 6*		622-06630600-203	<b>784.79</b>	622-06630600-231	<b>855.88</b>	76
6 x 4	6.90-7.20	622-06900400-003	<b>669.50</b>	622-06900400-031	<b>730.13</b>	71
6 x 6*		622-06900600-203	<b>784.79</b>	622-06900600-231	<b>855.88</b>	76
6 x 4	7.07-7.40	622-07200400-003	<b>669.50</b>	622-07200400-031	<b>730.13</b>	71
6 x 6*		622-07200600-203	<b>784.79</b>	622-07200600-231	<b>855.88</b>	76
6 x 4	7.40-7.73	622-07450400-003	<b>669.50</b>	622-07450400-031	<b>730.13</b>	71
8 x 4	7.80-8.13	622-08000400-003	<b>728.56</b>	622-08000400-031	<b>794.54</b>	78
8 x 6		622-08000600-003	<b>796.07</b>	622-08000600-031	<b>868.18</b>	87
8 x 4	8.36-8.75	622-08630400-003	<b>728.56</b>	622-08630400-031	<b>794.54</b>	78
8 x 6		622-08630600-003	<b>796.07</b>	622-08630600-031	<b>868.18</b>	87
8 x 8*		622-08630800-203	<b>998.61</b>	622-08630800-231	<b>1,089.05</b>	92
8 x 8*	8.73-9.12	622-08800800-203	<b>998.61</b>	622-08800800-231	<b>1,089.05</b>	92
8 x 4	9.05-9.40	622-09050400-003	<b>728.56</b>	622-09050400-031	<b>794.54</b>	78
8 x 6		622-09050600-003	<b>796.07</b>	622-09050600-031	<b>868.18</b>	87
8 x 8*		622-09050800-203	<b>998.61</b>	622-09050800-231	<b>1,089.05</b>	92
8 x 4	9.27-9.69	622-09400400-003	<b>728.56</b>	622-09400400-031	<b>794.54</b>	78
8 x 6		622-09400600-003	<b>796.07</b>	622-09400600-031	<b>868.18</b>	87
8 3x 8*		622-09400800-203	<b>998.61</b>	622-09400800-231	<b>1,089.05</b>	92
8-10 x 4	9.68-10.10	622-10000400-003	<b>734.19</b>	622-10000400-031	<b>800.70</b>	82
8-10 x 6		622-10000600-003	<b>818.58</b>	622-10000600-031	<b>892.73</b>	94
8-10 x 8*		622-10000800-203	<b>1,068.95</b>	622-10000800-231	<b>1,475.59</b>	130
10 x 4	10.45-10.88	622-10750400-003	<b>734.19</b>	622-10750400-031	<b>800.70</b>	82
10 x 6		622-10750600-003	<b>818.58</b>	622-10750600-031	<b>892.73</b>	94
10 x 8		622-10750800-003	<b>1,068.95</b>	622-10750800-031	<b>1,131.99</b>	130
10 x 10*		622-10751000-203	<b>1,353.03</b>	622-10751000-231	<b>1,475.59</b>	170
10 x 4	11.03-11.47	622-11100400-003	<b>734.19</b>	622-11100400-031	<b>800.70</b>	82
10 x 6		622-11100600-003	<b>818.58</b>	622-11100600-031	<b>892.73</b>	94
10 x 8		622-11100800-003	<b>1,068.95</b>	622-11100800-031	<b>1,131.99</b>	130
10 x 10*		622-11101000-203	<b>1,353.03</b>	622-11101000-231	<b>1,475.59</b>	180
10 x 4	11.36-11.80	622-11400400-003	<b>734.19</b>	622-11400400-031	<b>800.70</b>	82
10 x 6		622-11400600-003	<b>818.58</b>	622-11400600-031	<b>892.73</b>	94
10 x 8		622-11400800-003	<b>1,068.95</b>	622-11400800-031	<b>1,131.99</b>	130
10 x 10*		622-11401000-203	<b>1,353.03</b>	622-11401000-231	<b>1,475.59</b>	180
10-12 x 4	11.76-12.20	622-12000400-003	<b>793.25</b>	622-12000400-031	<b>865.10</b>	90
10-12 x 6		622-12000600-003	<b>866.38</b>	622-12000600-031	<b>944.86</b>	103
10-12 x 8		622-12000800-003	<b>1,102.71</b>	622-12000800-031	<b>1,202.58</b>	144
10-12 x 10*		622-12001000-203	<b>1,518.98</b>	622-12001000-231	<b>1,656.59</b>	192

\*Size on size taps require 1/2" undersize shell cutter. Larger size tapping sleeves are available upon request.



## 622 Carbon Steel Tapping Sleeves Size-on-Size and Reducing

Nominal Size Pipe x Flg. Outlet Inches	O.D. Range Inches	Alloy Bolts & Nuts		304 Stainless Steel Bolts & Nuts		Approx. Weight lbs.
		Catalog Number	List Price	Catalog Number	List Price	
12 x 4 12 x 6 12 x 8 12 x 10 12 x 12*	12.42-12.88	622-12750400-003	<b>\$793.25</b>	622-12750400-031	<b>\$865.10</b>	90
		622-12750600-003	<b>866.38</b>	622-12750600-031	<b>944.86</b>	103
		622-12750800-003	<b>1,102.71</b>	622-12750800-031	<b>1,202.58</b>	144
		622-12751000-003	<b>1,518.98</b>	622-12751000-031	<b>1,656.59</b>	192
		622-12751200-203	<b>1,673.66</b>	622-12751200-231	<b>1,825.27</b>	201
12 x 4 12 x 6 12 x 8 12 x 10 12 x 12*	13.13-13.60	622-13200400-003	<b>793.25</b>	622-13200400-031	<b>865.10</b>	95
		622-13200600-003	<b>866.38</b>	622-13200600-031	<b>944.86</b>	103
		622-13200800-003	<b>1,102.71</b>	622-13200800-031	<b>1,202.58</b>	144
		622-13201000-003	<b>1,518.98</b>	622-13201000-031	<b>1,656.59</b>	192
		622-13201200-203	<b>1,673.66</b>	622-13201200-231	<b>1,825.27</b>	201
12 x 4 12 x 6 12 x 8 12 x 10 12 x 12*	13.60-14.09	622-13820400-003	<b>793.25</b>	622-13820400-031	<b>865.10</b>	90
		622-13820600-003	<b>866.38</b>	622-13820600-031	<b>944.86</b>	103
		622-13820800-003	<b>1,102.71</b>	622-13820800-031	<b>1,202.58</b>	144
		622-13821000-003	<b>1,518.98</b>	622-13821000-031	<b>1,656.59</b>	192
		622-13821200-203	<b>1,673.66</b>	622-13821200-231	<b>1,825.27</b>	201
12 x 4 12 x 6 12 x 8 12 x 10 12 x 12*	14.10-14.58	622-14250400-003	<b>793.25</b>	622-14250400-031	<b>865.10</b>	100
		622-14250600-003	<b>866.38</b>	622-14250600-031	<b>944.86</b>	111
		622-14250800-003	<b>1,102.71</b>	622-14250800-031	<b>1,202.58</b>	148
		622-14251000-003	<b>1,518.98</b>	622-14251000-031	<b>1,656.59</b>	204
		622-14251200-203	<b>1,673.66</b>	622-14251200-231	<b>1,825.27</b>	229
12 x 4 12 x 6 12 x 8 12 x 10 12 x 12	14.59-15.08	622-14750400-003	<b>829.86</b>	622-14750400-031	<b>905.02</b>	108
		622-14750600-003	<b>925.49</b>	622-14750600-031	<b>1009.34</b>	111
		622-14750800-003	<b>1,170.20</b>	622-14750800-031	<b>1,276.21</b>	148
		622-14751000-003	<b>1,470.92</b>	622-14751000-031	<b>1,604.16</b>	204
		622-14751200-003	<b>1,746.82</b>	622-14751200-031	<b>1,905.05</b>	229
14 x 4 14 x 6 14 x 8 14 x 10 14 x 12	15.23-15.72	622-15300400-003	<b>829.86</b>	622-15300400-031	<b>905.02</b>	108
		622-15300600-003	<b>925.49</b>	622-15300600-031	<b>1009.34</b>	111
		622-15300800-003	<b>1,170.20</b>	622-15300800-031	<b>1,276.21</b>	148
		622-15301000-003	<b>1,589.29</b>	622-15301000-031	<b>1,733.25</b>	204
		622-15301200-003	<b>1,746.82</b>	622-15301200-031	<b>1,905.05</b>	229
14-16 x 4 14-16 x 6 14-16 x 8 14-16 x 10 14-16 x 12	15.73-16.22	622-16000400-003	<b>829.86</b>	622-16000400-031	<b>905.02</b>	108
		622-16000600-003	<b>925.49</b>	622-16000600-031	<b>1009.34</b>	111
		622-16000800-003	<b>1,170.20</b>	622-16000800-031	<b>1,276.21</b>	148
		622-16001000-003	<b>1,589.29</b>	622-16001000-031	<b>1,733.25</b>	216
		622-16001200-003	<b>1,746.82</b>	622-16001200-031	<b>1,905.05</b>	229
14-16 x 4 14-16 x 6 14-16 x 8 14-16 x 10 14-16 x 12	16.30-16.73	622-16470400-003	<b>829.86</b>	622-16470400-031	<b>905.02</b>	108
		622-16470600-003	<b>925.49</b>	622-16470600-031	<b>1009.34</b>	111
		622-16470800-003	<b>1,170.20</b>	622-16470800-031	<b>1,276.21</b>	148
		622-16471000-003	<b>1,589.29</b>	622-16471000-031	<b>1,733.25</b>	204
		622-16471200-003	<b>1,746.82</b>	622-16471200-031	<b>1,905.05</b>	229

\*Size on size taps require 1/2" undersize shell cutter. Larger size tapping sleeves are available upon request.



## 622 Carbon Steel Tapping Sleeves Size-on-Size and Reducing

Nominal Size Pipe x Fig. Outlet Inches	O.D. Range Inches	Alloy Bolts & Nuts		304 Stainless Steel Bolts & Nuts		Approx. Weight lbs.
		Catalog Number	List Price	Catalog Number	List Price	
14-16 x 4	16.74-17.26	622-16840400-003	<b>\$829.86</b>	622-16840400-031	<b>\$905.02</b>	108
14-16 x 6		622-16840600-003	<b>925.49</b>	622-16840600-031	<b>1009.34</b>	111
14-16 x 8		622-16840800-003	<b>1,170.20</b>	622-16840800-031	<b>1,276.21</b>	148
14-16 x 10		622-16841000-003	<b>1,589.29</b>	622-16841000-031	<b>1,733.25</b>	204
14-16 x 12		622-16841200-003	<b>1,746.82</b>	622-16841200-031	<b>1,905.05</b>	229
16 x 4	17.33-17.87	622-17400400-003	<b>880.32</b>	622-17400400-031	<b>960.08</b>	117
16 x 6		622-17400600-003	<b>986.42</b>	622-17400600-031	<b>1,075.78</b>	122
16 x 8		622-17400800-003	<b>1,215.86</b>	622-17400800-031	<b>1,325.96</b>	162
16 x 10		622-17401000-003	<b>1,663.19</b>	622-17401000-031	<b>1,813.84</b>	216
16 x 12		622-17401200-003	<b>1,906.98</b>	622-17401200-031	<b>2,079.68</b>	240
16-18 x 4	17.88-18.43	622-18000400-003	<b>880.32</b>	622-18000400-031	<b>960.08</b>	117
16-18 x 6		622-18000600-003	<b>986.42</b>	622-18000600-031	<b>1,075.78</b>	122
16-18 x 8		622-18000800-003	<b>1,215.86</b>	622-18000800-031	<b>1,325.96</b>	162
16-18 x 10		622-18001000-003	<b>1,663.19</b>	622-18001000-031	<b>1,813.84</b>	216
16-18 x 12		622-18001200-003	<b>1,906.98</b>	622-18001200-031	<b>2,079.68</b>	245
16-18 x 4	18.46-19.03	622-18780400-003	<b>880.32</b>	622-18780400-031	<b>960.08</b>	117
16-18 x 6		622-18780600-003	<b>986.42</b>	622-18780600-031	<b>1,075.78</b>	122
16-18 x 8		622-18780800-003	<b>1,215.86</b>	622-18780800-031	<b>1,325.96</b>	162
16-18 x 10		622-18781000-003	<b>1,663.19</b>	622-18781000-031	<b>1,813.84</b>	216
16-18 x 12		622-18781200-003	<b>1,906.98</b>	622-18781200-031	<b>2,079.68</b>	240
18 x 4	18.87-19.45	622-19200400-003	<b>880.32</b>	622-19200400-031	<b>960.08</b>	117
18 x 6		622-19200600-003	<b>986.43</b>	622-19200600-031	<b>1,075.78</b>	122
18 x 8		622-19200800-003	<b>1,215.86</b>	622-19200800-031	<b>1,325.96</b>	162
18 x 10		622-19201000-003	<b>1,663.19</b>	622-19201000-031	<b>1,817.15</b>	216
18 x 12		622-19201200-003	<b>1,906.98</b>	622-19201200-031	<b>2,079.68</b>	240
18 x 4	19.41-20.01	622-19500400-003	<b>880.32</b>	622-19500400-031	<b>960.08</b>	117
18 x 6		622-19500600-003	<b>986.43</b>	622-19500600-031	<b>1,075.78</b>	122
18 x 8		622-19500800-003	<b>1,215.86</b>	622-19500800-031	<b>1,325.96</b>	162
18 x 10		622-19501000-003	<b>1,663.19</b>	622-19501000-031	<b>1,817.15</b>	216
18 x 12		622-19501200-003	<b>1,906.98</b>	622-19501200-031	<b>2,079.68</b>	240
18-20 x 4	19.88-20.48	622-20000400-003	<b>929.10</b>	622-20000400-031	<b>1013.26</b>	120
18-20 x 6		622-20000600-003	<b>1046.59</b>	622-20000600-031	<b>1,141.49</b>	130
18-20 x 8		622-20000800-003	<b>1,336.27</b>	622-20000800-031	<b>1,457.31</b>	180
18-20 x 10		622-20001000-003	<b>1,800.83</b>	622-20001000-031	<b>1,963.94</b>	232
18-20 x 12		622-20001200-003	<b>1,964.30</b>	622-20001200-031	<b>2,142.21</b>	284
20 x 4	20.29-20.92	622-20640400-003	<b>929.10</b>	622-20640400-031	<b>1013.26</b>	122
20 x 6		622-20640600-003	<b>1046.59</b>	622-20640600-031	<b>1,141.49</b>	130
20 x 8		622-20640800-003	<b>1,336.27</b>	622-20640800-031	<b>1,457.31</b>	180
20 x 10		622-20641000-003	<b>1,800.83</b>	622-20641000-031	<b>1,963.94</b>	232
20 x 12		622-20641200-003	<b>1,964.30</b>	622-20641200-031	<b>2,142.21</b>	284

\*Size on size taps require 1/2" undersize shell cutter. Larger size tapping sleeves are available upon request.



## 622 Carbon Steel Tapping Sleeves Size-on-Size and Reducing

Nominal Size Pipe x Flg. Outlet Inches	O.D. Range Inches	Alloy Bolts & Nuts		304 Stainless Steel Bolts & Nuts		Approx. Weight lbs.
		Catalog Number	List Price	Catalog Number	List Price	
20 x 4	20.93-21.57	622-21320400-003	<b>\$929.10</b>	622-21320400-031	<b>\$1013.26</b>	122
20 x 6		622-21320600-003	<b>1046.59</b>	622-21320600-031	<b>1,141.49</b>	130
20 x 8		622-21320800-003	<b>1,336.27</b>	622-21320800-031	<b>1,457.31</b>	180
20 x 10		622-21321000-003	<b>1,800.83</b>	622-21321000-031	<b>1,963.94</b>	232
20 x 12		622-21321200-003	<b>1,964.30</b>	622-21321200-031	<b>2,142.21</b>	284
20 x 4	21.51-22.15	622-21600400-003	<b>929.10</b>	622-21600400-031	<b>1013.26</b>	122
20 x 6		622-21600600-003	<b>1046.59</b>	622-21600600-031	<b>1,141.49</b>	130
20 x 8		622-21600800-003	<b>1,336.27</b>	622-21600800-031	<b>1,457.31</b>	180
20 x 10		622-21601000-003	<b>1,800.83</b>	622-21601000-031	<b>1,963.94</b>	237
20 x 12		622-21601200-003	<b>1,964.30</b>	622-21601200-031	<b>2,142.21</b>	284
20 x 4	22.16-22.81	622-22680400-003	<b>929.10</b>	622-22680400-031	<b>1013.26</b>	122
20 x 6		622-22680600-003	<b>1046.59</b>	622-22680600-031	<b>1,141.49</b>	130
20 x 8		622-22680800-003	<b>1,336.27</b>	622-22680800-031	<b>1,457.31</b>	180
20 x 10		622-22681000-003	<b>1,800.83</b>	622-22681000-031	<b>1,963.83</b>	237
20 x 12		622-22681200-003	<b>1,964.30</b>	622-22681200-031	<b>2,142.21</b>	295
20 x 4	22.78-23.45	622-22940400-003	<b>1003.65</b>	622-22940400-031	<b>1,094.54</b>	133
20 x 6		622-22940600-003	<b>1,141.26</b>	622-22940600-031	<b>1,244.62</b>	144
20 x 8		622-22940800-003	<b>1,465.32</b>	622-22940800-031	<b>1,598.05</b>	197
20 x 10		622-22941000-003	<b>1,975.81</b>	622-22941000-031	<b>2,154.73</b>	258
20 x 12		622-22941200-003	<b>2,087.55</b>	622-22941200-031	<b>2,276.61</b>	304
24 x 4	23.46-24.16	622-24000400-003	<b>1003.65</b>	622-24000400-031	<b>1,094.54</b>	133
24 x 6		622-24000600-003	<b>1,141.26</b>	622-24000600-031	<b>1,244.62</b>	144
24 x 8		622-24000800-003	<b>1,465.32</b>	622-24000800-031	<b>1,598.05</b>	197
24 x 10		622-24001000-003	<b>1,975.81</b>	622-24001000-031	<b>2,154.73</b>	258
24 x 12		622-24001200-003	<b>2,087.55</b>	622-24001200-031	<b>2,276.61</b>	284
24 x 4	24.15-24.85	622-24500400-003	<b>1003.36</b>	622-24500400-031	<b>1,094.54</b>	135
24 x 6		622-24500600-003	<b>1,141.26</b>	622-24500600-031	<b>1,244.62</b>	144
24 x 8		622-24500800-003	<b>1,465.32</b>	622-24500800-031	<b>1,598.05</b>	200
24 x 10		622-24501000-003	<b>1,684.23</b>	622-24501000-031	<b>1,836.78</b>	260
24 x 12		622-24501200-003	<b>2,087.55</b>	622-24501200-031	<b>2,276.61</b>	286
24 x 4	24.82-25.52	622-25020400-003	<b>1003.36</b>	622-25020400-031	<b>1,094.54</b>	135
24 x 6		622-25020600-003	<b>1,141.26</b>	622-25020600-031	<b>1,244.62</b>	144
24 x 8		622-25020800-003	<b>1,465.32</b>	622-25020800-031	<b>1,598.05</b>	197
24 x 10		622-25021000-003	<b>1,684.23</b>	622-25021000-031	<b>1,836.78</b>	258
24 x 12		622-25021200-003	<b>2,087.55</b>	622-25021200-031	<b>2,276.61</b>	284
24 x 4	25.71-26.41	622-25800400-003	<b>1,066.75</b>	622-25800400-031	<b>1,163.38</b>	149
24 x 6		622-25800600-003	<b>1,201.55</b>	622-25800600-031	<b>1,310.39</b>	157
24 x 8		622-25800800-003	<b>1,557.08</b>	622-25800800-031	<b>1,602.00</b>	219
24 x 10		622-25801000-003	<b>2,090.43</b>	622-25801000-031	<b>2,279.78</b>	286
24 x 12		622-25801200-003	<b>2,231.00</b>	622-25801200-031	<b>2,433.07</b>	304

\*Size on size taps require 1/2" undersize shell cutter. Larger size tapping sleeves are available upon request.



## 622 Carbon Steel Tapping Sleeves Size-on-Size and Reducing

Nominal Size Pipe x Flg. Outlet Inches	O.D. Range Inches	Alloy Bolts & Nuts		304 Stainless Steel Bolts & Nuts		Approx. Weight lbs.
		Catalog Number	List Price	Catalog Number	List Price	
24 x 4	26.55-27.25	622-27120400-003	<b>\$1,066.75</b>	622-27120400-031	<b>\$1,163.38</b>	149
24 x 6		622-27120600-003	<b>1,201.55</b>	622-27120600-031	<b>1,310.39</b>	157
24 x 8		622-27120800-003	<b>1,557.08</b>	622-27120800-031	<b>1,602.00</b>	219
24 x 10		622-27121000-003	<b>2,090.43</b>	622-27121000-031	<b>2,279.78</b>	286
24 x 12		622-27121200-003	<b>2,231.00</b>	622-27121200-031	<b>2,433.07</b>	304
24 x 4	27.26-27.96	622-27460400-003	<b>1,066.75</b>	622-27460400-031	<b>1,163.38</b>	149
24 x 6		622-27460600-003	<b>1,201.55</b>	622-27460600-031	<b>1,310.39</b>	157
24 x 8		622-27460800-003	<b>1,557.08</b>	622-27460800-031	<b>1,602.00</b>	219
24 x 10		622-27461000-003	<b>2,090.43</b>	622-27461000-031	<b>2,279.78</b>	286
24 x 12		622-27461200-003	<b>2,231.00</b>	622-27461200-031	<b>2,433.07</b>	304
24 x 4	28.14-28.84	622-28340400-003	<b>1,066.75</b>	622-28340400-031	<b>1,163.38</b>	149
24 x 6		622-28340600-003	<b>1,201.55</b>	622-28340600-031	<b>1,310.39</b>	157
24 x 8		622-28340800-003	<b>1,557.08</b>	622-28340800-031	<b>1,602.00</b>	219
24 x 10		622-28341000-003	<b>2,090.43</b>	622-28341000-031	<b>2,279.78</b>	286
24 x 12		622-28341200-003	<b>2,231.00</b>	622-28341200-031	<b>2,433.07</b>	304
30 x 4	29.78-30.48	622-30000400-003	<b>1,167.11</b>	622-30000400-031	<b>1,272.81</b>	156
30 x 6		622-30000600-003	<b>1,333.44</b>	622-30000600-031	<b>1,454.23</b>	160
30 x 8		622-30000800-003	<b>1,756.55</b>	622-30000800-031	<b>1,888.85</b>	219
30 x 10		622-30001000-003	<b>2,150.68</b>	622-30001000-031	<b>2,345.46</b>	292
30 x 12		622-30001200-003	<b>2,276.84</b>	622-30001200-031	<b>2,483.08</b>	315
30 x 4	30.48-31.18	622-30750400-003	<b>1,167.11</b>	622-30750400-031	<b>1,272.81</b>	156
30 x 6		622-30750600-003	<b>1,333.44</b>	622-30750600-031	<b>1,454.23</b>	160
30 x 8		622-30750800-003	<b>1,756.55</b>	622-30750800-031	<b>1,888.96</b>	219
30 x 10		622-30751000-003	<b>2,150.68</b>	622-30751000-031	<b>2,345.46</b>	292
30 x 12		622-30751200-003	<b>2,276.84</b>	622-30751200-031	<b>2,483.08</b>	315
30 x 4	31.52-32.22	622-32000400-003	<b>1,167.11</b>	622-32000400-031	<b>1,272.81</b>	156
30 x 6		622-32000600-003	<b>1,333.44</b>	622-32000600-031	<b>1,454.23</b>	160
30 x 8		622-32000800-003	<b>1,756.55</b>	622-32000800-031	<b>1,888.85</b>	219
30 x 10		622-32001000-003	<b>2,150.68</b>	622-32001000-031	<b>2,345.46</b>	292
30 x 12		622-32001200-003	<b>2,276.84</b>	622-32001200-031	<b>2,483.08</b>	315

\*Size on size taps require 1/2" undersize shell cutter. Larger size tapping sleeves are available upon request.



## 622 Carbon Steel Tapping Sleeves, MJ Outlet Size-on-Size and Reducing

Nominal Size Pipe x Fig. Outlet Inches	O.D. Range Inches	Alloy Bolts & Nuts		304 Stainless Steel Bolts & Nuts		Approx. Weight lbs.
		Catalog Number	List Price	Catalog Number	List Price	
4 x 4*	4.50	622-045004MJ-203	<b>\$749.33</b>	622-045004MJ-231	<b>\$813.76</b>	40
4 x 4*	4.80	622-048004MJ-203	<b>749.33</b>	622-048004MJ-231	<b>813.76</b>	40
6 x 4	6.57-6.73	622-066304MJ-003	<b>689.19</b>	622-066304MJ-031	<b>748.14</b>	78
6 x 6*		622-066306MJ-203	<b>826.80</b>	622-066306MJ-231	<b>895.90</b>	90
6 x 4	6.90-7.20	622-069004MJ-003	<b>689.19</b>	622-069004MJ-031	<b>748.14</b>	78
6 x 6*		622-069006MJ-203	<b>826.80</b>	622-069006MJ-231	<b>895.90</b>	90
6 x 4	7.07-7.40	622-072004MJ-003	<b>689.19</b>	622-072004MJ-031	<b>748.14</b>	78
6 x 6*		622-072006MJ-203	<b>826.80</b>	622-072006MJ-231	<b>895.90</b>	90
6 x 4	7.40-7.73	622-074504MJ-003	<b>689.19</b>	622-074504MJ-031	<b>748.14</b>	78
8 x 4	7.80-8.13	622-080004MJ-003	<b>746.61</b>	622-080004MJ-031	<b>810.75</b>	85
8 x 6		622-080006MJ-003	<b>837.76</b>	622-080006MJ-031	<b>907.86</b>	98
8 x 4	8.36-8.75	622-086304MJ-003	<b>746.61</b>	622-086304MJ-031	<b>810.75</b>	85
8 x 6		622-086306MJ-003	<b>837.76</b>	622-086306MJ-031	<b>907.86</b>	98
8 x 8*		622-086308MJ-203	<b>1,060.21</b>	622-086308MJ-231	<b>1,148.12</b>	131
8 x 8*	8.73-9.12	622-088008MJ-203	<b>1,060.21</b>	622-088008MJ-231	<b>1,148.12</b>	92
8 x 4	9.05-9.40	622-090504MJ-003	<b>746.61</b>	622-090504MJ-031	<b>810.75</b>	85
8 x 6		622-090506MJ-003	<b>837.76</b>	622-090506MJ-031	<b>907.86</b>	98
8 x 8*		622-090508MJ-203	<b>1,060.21</b>	622-090508MJ-231	<b>1,148.12</b>	131
8 x 4	9.27-9.69	622-094004MJ-003	<b>746.61</b>	622-094004MJ-031	<b>810.75</b>	85
8 x 6		622-094006MJ-003	<b>837.76</b>	622-094006MJ-031	<b>907.86</b>	98
8 x 8*		622-094008MJ-203	<b>1,059.51</b>	622-094008MJ-231	<b>1,148.12</b>	131
8-10 x 4	9.68-10.10	622-100004MJ-003	<b>752.08</b>	622-100004MJ-031	<b>816.74</b>	89
8-10 x 6		622-100006MJ-003	<b>859.66</b>	622-100006MJ-031	<b>931.75</b>	105
8-10 x 8*		622-100008MJ-203	<b>1,128.58</b>	622-100008MJ-231	<b>1,189.88</b>	139
10 x 4	10.45-10.88	622-107504MJ-003	<b>752.08</b>	622-107504MJ-031	<b>816.74</b>	89
10 x 6		622-107506MJ-003	<b>859.66</b>	622-107506MJ-031	<b>931.75</b>	125
10 x 8		622-107508MJ-003	<b>1,098.49</b>	622-107508MJ-031	<b>1,189.88</b>	139
10 x 10*		622-107510MJ-203	<b>1,430.31</b>	622-107510MJ-231	<b>1,549.44</b>	153
10 x 4	11.03-11.47	622-111004MJ-003	<b>752.08</b>	622-111004MJ-031	<b>816.74</b>	94
10 x 6		622-111006MJ-003	<b>859.66</b>	622-111006MJ-031	<b>931.75</b>	105
10 x 8		622-111008MJ-003	<b>1,098.49</b>	622-111008MJ-031	<b>1,189.88</b>	139
10 x 10*		622-111010MJ-203	<b>1,430.31</b>	622-111010MJ-231	<b>1,549.44</b>	153
10 x 4	11.36-11.80	622-114004MJ-003	<b>752.08</b>	622-114004MJ-031	<b>816.74</b>	89
10 x 6		622-114006MJ-003	<b>859.66</b>	622-114006MJ-031	<b>931.75</b>	105
10 x 8		622-114008MJ-003	<b>1,098.49</b>	622-114008MJ-031	<b>1,189.88</b>	139
10 x 10*		622-114010MJ-203	<b>1,430.31</b>	622-114010MJ-231	<b>1,549.44</b>	153
10-12 x 4	11.76-12.20	622-120004MJ-003	<b>809.50</b>	622-120004MJ-031	<b>879.35</b>	104
10-12 x 6		622-120006MJ-003	<b>906.12</b>	622-120006MJ-031	<b>982.42</b>	114
10-12 x 8		622-120008MJ-003	<b>1,161.41</b>	622-120008MJ-031	<b>1,258.51</b>	149
10-12 x 10*		622-120010MJ-203	<b>1,591.64</b>	622-120010MJ-231	<b>1,725.42</b>	185

\*Size on size taps require 1/2" undersize shell cutter. Larger size tapping sleeves are available upon request.



## 622 Carbon Steel Tapping Sleeves, MJ Outlet Size-on-Size and Reducing

Nominal Size Pipe x Fig. Outlet Inches	O.D. Range Inches	Alloy Bolts & Nuts		304 Stainless Steel Bolts & Nuts		Approx. Weight lbs.
		Catalog Number	List Price	Catalog Number	List Price	
12 x 4 12 x 6 12 x 8 12 x 10 12 x 12*	12.42-12.88	622-127504MJ-003	\$809.50	622-127504MJ-031	\$879.35	104
		622-127506MJ-003	906.12	622-127506MJ-031	982.42	114
		622-127508MJ-003	1,161.41	622-127508MJ-031	1,258.51	149
		622-127510MJ-003	1,591.64	622-127510MJ-031	1,725.42	185
		622-127512MJ-203	1,767.55	622-127512MJ-231	1,914.94	217
12 x 4 12 x 6 12 x 8 12 x 10 12 x 12*	13.13-13.60	622-132004MJ-003	809.50	622-132004MJ-031	879.35	104
		622-132006MJ-003	906.12	622-132006MJ-031	982.42	114
		622-132008MJ-003	1,161.41	622-132008MJ-031	1,258.51	149
		622-132010MJ-003	1,591.64	622-132010MJ-031	1,725.42	185
		622-132012MJ-203	1,767.55	622-132012MJ-231	1,914.94	217
12 x 4 12 x 6 12 x 8 12 x 10 12 x 12*	13.60-14.09	622-138204MJ-003	809.50	622-138204MJ-031	879.35	104
		622-138206MJ-003	906.12	622-138206MJ-031	982.42	111
		622-138208MJ-003	1,161.41	622-138208MJ-031	1,258.51	149
		622-138210MJ-003	1,591.64	622-138210MJ-031	1,725.42	185
		622-138212MJ-203	1,767.55	622-138212MJ-231	1,914.94	217
12 x 4 12 x 6 12 x 8 12 x 10 12 x 12*	14.10-14.58	622-142504MJ-003	809.50	622-142504MJ-031	879.35	110
		622-142506MJ-003	906.12	622-142506MJ-031	982.42	121
		622-142508MJ-003	1,161.41	622-142508MJ-031	1,258.51	159
		622-142510MJ-003	1,591.64	622-142510MJ-031	1,725.42	219
		622-142512MJ-203	1,767.55	622-142512MJ-231	1,914.94	245
12 x 4 12 x 6 12 x 8 12 x 10 12 x 12	14.59-15.08	622-147504MJ-003	845.09	622-147504MJ-031	918.16	115
		622-147506MJ-003	963.60	622-147506MJ-031	1045.11	121
		622-147508MJ-003	1,161.41	622-147508MJ-031	1,258.51	162
		622-147510MJ-003	1,591.64	622-147510MJ-031	1,725.42	219
		622-147512MJ-003	1,767.55	622-147512MJ-031	1,914.94	245
14 x 4 14 x 6 14 x 8 14 x 10 14 x 12	15.23-15.72	622-153004MJ-003	845.09	622-153004MJ-031	918.16	117
		622-153006MJ-003	963.60	622-153006MJ-031	1045.11	121
		622-153008MJ-003	1,227.04	622-153008MJ-031	1,330.09	162
		622-153010MJ-003	1,544.92	622-153010MJ-031	1,674.46	219
		622-153012MJ-003	1,838.68	622-153012MJ-031	1,992.50	245
14-16 x 4 14-16 x 6 14-16 x 8 14-16 x 10 14-16 x 12	15.73-16.22	622-160004MJ-003	845.09	622-160004MJ-031	918.16	117
		622-160006MJ-003	963.60	622-160006MJ-031	1045.11	121
		622-160008MJ-003	1,227.04	622-160008MJ-031	1,330.09	162
		622-160010MJ-003	1,544.92	622-160010MJ-031	1,674.46	219
		622-160012MJ-003	1,838.68	622-160012MJ-031	1,992.50	245
14-16 x 4 14-16 x 6 14-16 x 8 14-16 x 10 14-16 x 12	16.30-16.73	622-164704MJ-003	845.09	622-164704MJ-031	918.16	115
		622-164706MJ-003	963.60	622-164706MJ-031	1045.11	121
		622-164708MJ-003	1,227.04	622-164708MJ-031	1,330.09	162
		622-164710MJ-003	1,544.92	622-164710MJ-031	1,674.46	219
		622-164712MJ-003	1,838.68	622-164712MJ-031	1,992.50	245

\*Size on size taps require 1/2" undersize shell cutter. Larger size tapping sleeves are available upon request.



## 622 Carbon Steel Tapping Sleeves, MJ Outlet Size-on-Size and Reducing

Nominal Size Pipe x Fig. Outlet Inches	O.D. Range Inches	Alloy Bolts & Nuts		304 Stainless Steel Bolts & Nuts		Approx. Weight lbs.
		Catalog Number	List Price	Catalog Number	List Price	
14-16 x 4 14-16 x 6 14-16 x 8 14-16 x 10 14-16 x 12	16.74-17.26	622-168404MJ-003	<b>\$845.09</b>	622-168404MJ-031	<b>\$918.16</b>	115
		622-168406MJ-003	<b>963.60</b>	622-168406MJ-031	<b>1045.11</b>	121
		622-168408MJ-003	<b>1,227.04</b>	622-168408MJ-031	<b>1,330.09</b>	162
		622-168410MJ-003	<b>1,544.92</b>	622-168410MJ-031	<b>1,674.46</b>	219
		622-168412MJ-003	<b>1,838.68</b>	622-168412MJ-031	<b>1,992.50</b>	245
16 x 4 16 x 6 16 x 8 16 x 10 16 x 12	17.33-17.87	622-174004MJ-003	<b>894.16</b>	622-174004MJ-031	<b>971.71</b>	124
		622-174006MJ-003	<b>1022.83</b>	622-174006MJ-031	<b>1,109.70</b>	133
		622-174008MJ-003	<b>1,271.40</b>	622-174008MJ-031	<b>1,378.47</b>	176
		622-174010MJ-003	<b>1,731.84</b>	622-174010MJ-031	<b>1,878.31</b>	231
		622-174012MJ-003	<b>1,994.39</b>	622-174012MJ-031	<b>2,162.29</b>	260
16-18 x 4 16-18 x 6 16-18 x 8 16-18 x 10 16-18 x 12	17.88-18.43	622-180004MJ-003	<b>894.16</b>	622-180004MJ-031	<b>971.71</b>	124
		622-180006MJ-003	<b>1022.83</b>	622-180006MJ-031	<b>1,109.70</b>	133
		622-180008MJ-003	<b>1,271.40</b>	622-180008MJ-031	<b>1,378.47</b>	176
		622-180010MJ-003	<b>1,731.84</b>	622-180010MJ-031	<b>1,878.31</b>	231
		622-180012MJ-003	<b>1,994.39</b>	622-180012MJ-031	<b>2,162.29</b>	261
16-18 x 4 16-18 x 6 16-18 x 8 16-18 x 10 16-18 x 12	18.46-19.03	622-187804MJ-003	<b>894.16</b>	622-187804MJ-031	<b>971.71</b>	124
		622-187806MJ-003	<b>1022.83</b>	622-187806MJ-031	<b>1,109.70</b>	133
		622-187808MJ-003	<b>1,271.40</b>	622-187808MJ-031	<b>1,378.47</b>	176
		622-187810MJ-003	<b>1,731.84</b>	622-187810MJ-031	<b>1,878.31</b>	231
		622-187812MJ-003	<b>1,994.39</b>	622-187812MJ-031	<b>2,162.29</b>	261
18 x 4 18 x 6 18 x 8 18 x 10 18 x 12	18.87-19.45	622-192004MJ-003	<b>894.16</b>	622-192004MJ-031	<b>971.71</b>	124
		622-192006MJ-003	<b>1022.83</b>	622-192006MJ-031	<b>1,109.70</b>	133
		622-192008MJ-003	<b>1,271.40</b>	622-192008MJ-031	<b>1,378.47</b>	176
		622-192010MJ-003	<b>1,731.84</b>	622-192010MJ-031	<b>1,878.31</b>	231
		622-192012MJ-003	<b>1,994.39</b>	622-192012MJ-031	<b>2,162.29</b>	261
18 x 4 18 x 6 18 x 8 18 x 10 18 x 12	19.41-20.01	622-195004MJ-003	<b>894.16</b>	622-195004MJ-031	<b>971.71</b>	124
		622-195006MJ-003	<b>1022.83</b>	622-195006MJ-031	<b>1,109.70</b>	133
		622-195008MJ-003	<b>1,271.40</b>	622-195008MJ-031	<b>1,378.47</b>	176
		622-195010MJ-003	<b>1,731.84</b>	622-195010MJ-031	<b>1,878.31</b>	231
		622-195012MJ-003	<b>1,994.39</b>	622-195012MJ-031	<b>2,162.29</b>	261
18-20 x 4 18-20 x 6 18-20 x 8 18-20 x 10 18-20 x 12	19.88-20.48	622-200004MJ-003	<b>941.58</b>	622-200004MJ-031	<b>1023.39</b>	129
		622-200006MJ-003	<b>1,081.33</b>	622-200006MJ-031	<b>1,173.59</b>	141
		622-200008MJ-003	<b>1,388.48</b>	622-200008MJ-031	<b>1,506.15</b>	194
		622-200010MJ-003	<b>1,865.67</b>	622-200010MJ-031	<b>2,024.24</b>	247
		622-200012MJ-003	<b>2,050.11</b>	622-200012MJ-031	<b>2,223.09</b>	300
20 x 4 20 x 6 20 x 8 20 x 10 20 x 12	20.29-20.92	622-206404MJ-003	<b>941.58</b>	622-206404MJ-031	<b>1023.39</b>	129
		622-206406MJ-003	<b>1,081.33</b>	622-206406MJ-031	<b>1,173.59</b>	141
		622-206408MJ-003	<b>1,388.48</b>	622-206408MJ-031	<b>1,506.15</b>	194
		622-206410MJ-003	<b>1,865.67</b>	622-206410MJ-031	<b>2,024.24</b>	247
		622-206412MJ-003	<b>2,050.11</b>	622-206412MJ-031	<b>2,223.09</b>	300

\*Size on size taps require 1/2" undersize shell cutter. Larger size tapping sleeves are available upon request.



## 622 Carbon Steel Tapping Sleeves, MJ Outlet Size-on-Size and Reducing

Nominal Size Pipe x Fig. Outlet Inches	O.D. Range Inches	Alloy Bolts & Nuts		304 Stainless Steel Bolts & Nuts		Approx. Weight lbs.
		Catalog Number	List Price	Catalog Number	List Price	
20 x 4 20 x 6 20 x 8 20 x 10 20 x 12	20.93-21.57	622-213204MJ-003	\$941.58	622-213204MJ-031	\$1023.39	129
		622-213206MJ-003	1,081.33	622-213206MJ-031	1,173.59	141
		622-213208MJ-003	1,388.48	622-213208MJ-031	1,506.15	194
		622-213210MJ-003	1,865.67	622-213210MJ-031	2,024.24	247
		622-213212MJ-003	2,050.11	622-213212MJ-031	2,223.09	300
20 x 4 20 x 6 20 x 8 20 x 10 20 x 12	21.51-22.15	622-216004MJ-003	941.58	622-216004MJ-031	1023.39	129
		622-216006MJ-003	1,081.33	622-216006MJ-031	1,173.59	141
		622-216008MJ-003	1,388.48	622-216008MJ-031	1,506.15	194
		622-216010MJ-003	1,865.67	622-216010MJ-031	2,024.24	247
		622-216012MJ-003	2,050.11	622-216012MJ-031	2,223.09	300
20 x 4 20 x 6 20 x 8 20 x 10 20 x 12	22.16-22.81	622-226804MJ-003	941.58	622-226804MJ-031	1023.39	129
		622-226806MJ-003	1,081.33	622-226806MJ-031	1,173.59	141
		622-226808MJ-003	1,388.48	622-226808MJ-031	1,506.15	194
		622-226810MJ-003	1,865.67	622-226810MJ-031	2,024.24	247
		622-226812MJ-003	2,050.11	622-226812MJ-031	2,223.09	300
20 x 4 20 x 6 20 x 8 20 x 10 20 x 12	22.78-23.45	622-229404MJ-003	1014.06	622-229404MJ-031	1,102.43	140
		622-229406MJ-003	1,173.35	622-229406MJ-031	1,273.84	155
		622-229408MJ-003	1,513.96	622-229408MJ-031	1,642.99	211
		622-229410MJ-003	2,035.78	622-229410MJ-031	2,209.73	273
		622-229412MJ-003	2,169.94	622-229412MJ-031	2,353.74	300
24 x 4 24 x 6 24 x 8 24 x 10 24 x 12	23.46-24.16	622-240004MJ-003	1014.06	622-240004MJ-031	1,102.43	140
		622-240006MJ-003	1,173.35	622-240006MJ-031	1,273.84	155
		622-240008MJ-003	1,513.96	622-240008MJ-031	1,642.99	211
		622-240010MJ-003	2,035.78	622-240010MJ-031	2,209.73	273
		622-240012MJ-003	2,169.94	622-240012MJ-031	2,353.74	300
24 x 4 24 x 6 24 x 8 24 x 10 24 x 12	24.15-24.85	622-245004MJ-003	1014.06	622-245004MJ-031	1,102.43	140
		622-245006MJ-003	1,173.35	622-245006MJ-031	1,273.84	155
		622-245008MJ-003	1,513.96	622-245008MJ-031	1,642.99	211
		622-245010MJ-003	2,035.78	622-245010MJ-031	2,209.73	273
		622-245012MJ-003	2,169.94	622-245012MJ-031	2,353.74	300
24 x 4 24 x 6 24 x 8 24 x 10 24 x 12	24.82-25.52	622-250204MJ-003	1014.06	622-250204MJ-031	1,102.43	140
		622-250206MJ-003	1,173.35	622-250206MJ-031	1,273.84	155
		622-250208MJ-003	1,513.96	622-250208MJ-031	1,642.99	211
		622-250210MJ-003	2,035.78	622-250210MJ-031	2,209.73	273
		622-250212MJ-003	2,169.94	622-250212MJ-031	2,353.74	300
24 x 4 24 x 6 24 x 8 24 x 10 24 x 12	25.71-26.41	622-258004MJ-003	1,075.40	622-258004MJ-031	1,169.33	155
		622-258006MJ-003	1,231.99	622-258006MJ-031	1,337.79	168
		622-258008MJ-003	1,603.68	622-258008MJ-031	1,646.83	233
		622-258010MJ-003	2,147.23	622-258010MJ-031	2,331.32	301
		622-258012MJ-003	2,309.41	622-258012MJ-031	2,505.88	320

\*Size on size taps require 1/2" undersize shell cutter. Larger size tapping sleeves are available upon request.

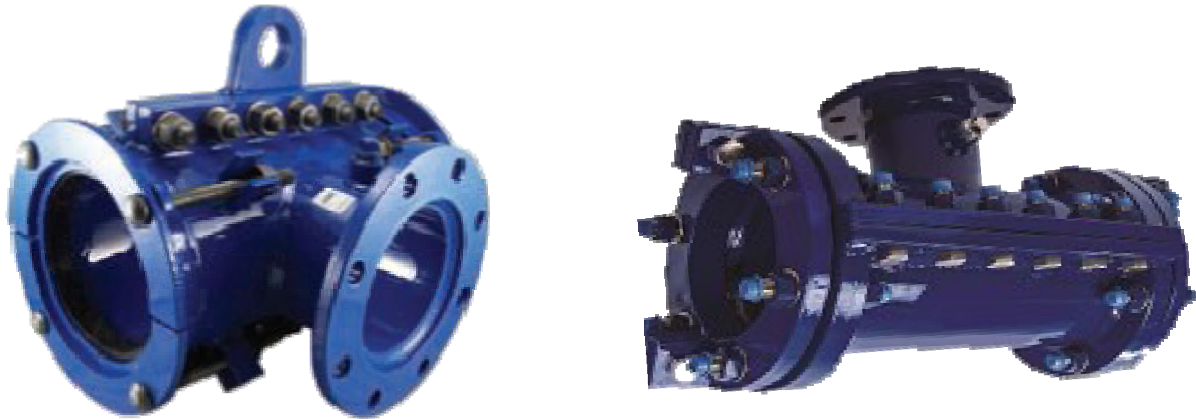


## 622 Carbon Steel Tapping Sleeves, MJ Outlet Size-on-Size and Reducing

Nominal Size Pipe x Fig. Outlet Inches	O.D. Range Inches	Alloy Bolts & Nuts		304 Stainless Steel Bolts & Nuts		Approx. Weight lbs.
		Catalog Number	List Price	Catalog Number	List Price	
24 x 4	26.55-27.25	622-271204MJ-003	<b>\$1,075.40</b>	622-271204MJ-031	<b>\$1,169.33</b>	156
24 x 6		622-271206MJ-003	<b>1,231.99</b>	622-271206MJ-031	<b>1,337.79</b>	168
24 x 8		622-271208MJ-003	<b>1,603.68</b>	622-271208MJ-031	<b>1,646.83</b>	233
24 x 10		622-271210MJ-003	<b>2,147.23</b>	622-271210MJ-031	<b>2,331.32</b>	301
24 x 12		622-271212MJ-003	<b>2,309.41</b>	622-271212MJ-031	<b>2,505.88</b>	320
24 x 4	27.26-27.96	622-274604MJ-003	<b>1,075.40</b>	622-274604MJ-031	<b>1,169.33</b>	156
24 x 6		622-274606MJ-003	<b>1,231.99</b>	622-274606MJ-031	<b>1,337.79</b>	168
24 x 8		622-274608MJ-003	<b>1,603.68</b>	622-274608MJ-031	<b>1,646.83</b>	233
24 x 10		622-274610MJ-003	<b>2,147.23</b>	622-274610MJ-031	<b>2,331.32</b>	301
24 x 12		622-274612MJ-003	<b>2,309.41</b>	622-274612MJ-031	<b>2,505.88</b>	320
24 x 4	28.14-28.84	622-283404MJ-003	<b>1,075.40</b>	622-283404MJ-031	<b>1,169.33</b>	156
24 x 6		622-283406MJ-003	<b>1,231.99</b>	622-283406MJ-031	<b>1,337.79</b>	168
24 x 8		622-283408MJ-003	<b>1,603.68</b>	622-283408MJ-031	<b>1,646.83</b>	233
24 x 10		622-283410MJ-003	<b>2,147.23</b>	622-283410MJ-031	<b>2,331.32</b>	301
24 x 12		622-283412MJ-003	<b>2,309.41</b>	622-283412MJ-031	<b>2,505.88</b>	320
30 x 4	29.78-30.48	622-300004MJ-003	<b>1,172.97</b>	622-300004MJ-031	<b>1,275.75</b>	163
30 x 6		622-300006MJ-003	<b>1,360.21</b>	622-300006MJ-031	<b>1,477.64</b>	171
30 x 8		622-300008MJ-003	<b>1,797.08</b>	622-300008MJ-031	<b>1,925.71</b>	233
30 x 10		622-300010MJ-003	<b>2,205.80</b>	622-300010MJ-031	<b>2,395.17</b>	307
30 x 12		622-300012MJ-003	<b>2,353.97</b>	622-300012MJ-031	<b>2,554.49</b>	331
30 x 4	30.48-31.18	622-307504MJ-003	<b>1,172.97</b>	622-307504MJ-031	<b>1,275.75</b>	163
30 x 6		622-307506MJ-003	<b>1,360.21</b>	622-307506MJ-031	<b>1,477.64</b>	171
30 x 8		622-307508MJ-003	<b>1,797.08</b>	622-307508MJ-031	<b>1,925.71</b>	233
30 x 10		622-307510MJ-003	<b>2,205.80</b>	622-307510MJ-031	<b>2,395.17</b>	307
30 x 12		622-307512MJ-003	<b>2,353.97</b>	622-307512MJ-031	<b>2,554.49</b>	331
30 x 4	31.52-32.22	622-320004MJ-003	<b>1,172.97</b>	622-320004MJ-031	<b>1,275.75</b>	163
30 x 6		622-320006MJ-003	<b>1,360.21</b>	622-320006MJ-031	<b>1,477.64</b>	171
30 x 8		622-320008MJ-003	<b>1,797.08</b>	622-320008MJ-031	<b>1,925.71</b>	233
30 x 10		622-320010MJ-003	<b>2,205.80</b>	622-320010MJ-031	<b>2,395.17</b>	307
30 x 12		622-320012MJ-003	<b>2,353.97</b>	622-320012MJ-031	<b>2,554.49</b>	331

\*Size on size taps require 1/2" undersize shell cutter. Larger size tapping sleeves are available upon request.

## 623 & 624 Fabricated Mechanical Joint Tapping Sleeves



- Lightweight alternatives to case mechanical joint type sleeves.
- Both styles can be fabricated to your specific applications requirements in either Carbon or Stainless Steel.
- Both utilize gland gaskets, suited to applications where pipe condition at the tap location will not accommodate a neck seal.
- The 624 style has true MJ end seals as opposed to the 623 that has more of a coupling design.
- For more information, please contact your Xylem's Smith-Blair representative.

**Fabricated 623 and 624 styles are priced on specific application and therefore non-returnable.**



## 625 Tapping Sleeves For Concrete Cylinder or Concrete Coated Pipe

**Type 625 Tapping Sleeves can be made to accommodate any size concrete cylinder or concrete coated steel pipe.**

625 tapping sleeves are designed specifically for lined and coated for both pre-stressed and non-pre-stressed concrete cylinder pipe. The sleeve's versatility assures a quality controlled installation, even under adverse conditions. During installation, no welding is required and stripping of the concrete coating is eliminated, except in the outlet area.

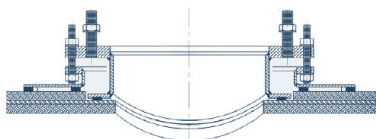
The body of the sleeve can be mounted on the pipe before the reinforcing wires are removed from the steel cylinder, and the outlet neck can be inserted after the reinforcing wires are removed.

The concave wedge gasket seals efficiently. A series of studs compresses the adjustable outlet against Type 625 Tapping Sleeves can be made to accommodate any size of concrete cylinder or concrete coated pipe. Solid back half available upon request. Stainless steel also available.

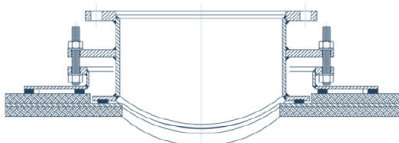
### **Our Engineers will need the following information to assure proper fit:**

- OD of steel cylinder.
- OD thickness of concrete
- Outlet size
- Line pressure
- Line Contents
- Any desired special coatings required
- Any special hardware requirements
- Any unusual conditions
- Preference of straps or solid back
- Brand name of tapping valve used on 14" or larger outlets.

Priced On Application  
Non-Returnable Specials



Optional 2 Flange Design



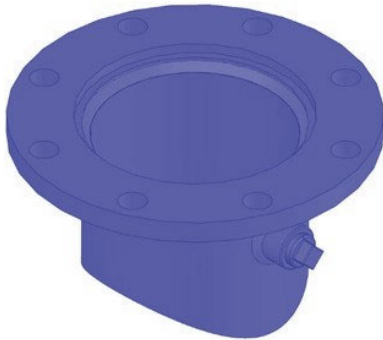
Optional 3 Flange Design

*Type 625 Tapping Sleeves can be made to accommodate any size of concrete cylinder or concrete coated pipe. Solid back half available upon request. Stainless steel also available.*

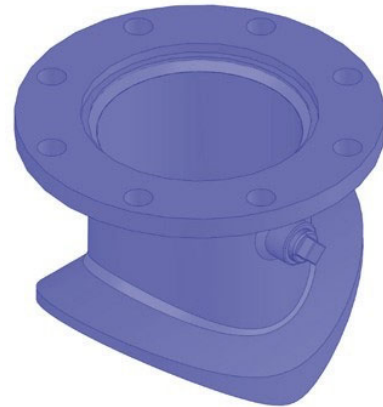
*Note: Carbon steel bodies with stainless steel hardware will be furnished with carbon steel straps and welded to stainless steel studs as standard.*



## 626 Weld On Tapping Sleeves



**Type 1**  
**Flange and Neck Only**



**Type 2**  
**Flange, Neck and Weld Plate**

An economical means of making taps on steel pipes.  
These come in four different styles  
and are available in sizes 3" and up. Available  
in both carbon or stainless steel.

### **NON-RETURNABLE SPECIALS**



**Type 3**  
**Top Half Tapping Sleeve**



**Type 4**  
**Split Body Three Pieces**

**627 Tapping Sleeves  
Fabricated Weld-On Outlet**



**Type 1  
Full Body Two Piece Tapping Sleeve**



**Type 2  
Full Body, Three Piece Tapping Sleeve**

**An economical means of making taps on steel pipes. These come in two different styles and are available in sizes 3” and up. Available in both carbon or stainless steel.**

**NON-RETURNABLE SPECIALS**



## 662 & 663 Stainless Steel Tapping Sleeves Size-on-Size and Reducing

Nominal Size Pipe x Flg. Outlet Inches	O.D. Range Inches	Carbon Steel Flexi-Coat® Epoxy Coated Flange		304 Stainless Steel Flange		Approx. Weight lbs.
		Catalog Number	List Price	Catalog Number	List Price	
4 x 4	4.46-4.86	662-04800400-200	<b>\$788.38</b>	663-04800400-200	<b>\$1007.77</b>	32
4 x 4	4.80-5.10	662-05000400-200	<b>788.38</b>	663-05000400-200	<b>1007.77</b>	32
4 x 4	4.95-5.25	662-05100400-200	<b>788.38</b>	663-05100400-200	<b>1007.77</b>	32
6 x 4	6.59-6.99	662-06630400-000	<b>765.80</b>	663-06630400-000	<b>1042.88</b>	39
6 x 6		662-06630600-200	<b>875.83</b>	663-06630600-200	<b>1,117.27</b>	43
6 x 4	6.84-7.30	662-06900400-000	<b>765.80</b>	663-06900400-000	<b>1042.88</b>	39
6 x 6		662-06900600-200	<b>875.83</b>	663-06900600-200	<b>1,117.27</b>	44
6 x 4	7.10-7.50	662-07200400-000	<b>765.80</b>	663-07200400-000	<b>1042.88</b>	38
6 x 6		662-07200600-200	<b>875.83</b>	663-07200600-200	<b>1,117.27</b>	43
6 x 4	7.40-7.80	662-07450400-000	<b>765.80</b>	663-07450400-000	<b>1042.88</b>	39
6 x 6		662-07450600-200	<b>875.83</b>	663-07450600-200	<b>1,117.27</b>	43
8 x 4	7.90-8.30	662-08000400-000	<b>842.61</b>	663-08000400-000	<b>1,074.40</b>	43
8 x 6		662-08000600-000	<b>882.87</b>	663-08000600-000	<b>1,164.50</b>	47
8 x 4	8.62-9.06	662-08630400-000	<b>842.61</b>	663-08630400-000	<b>1,074.40</b>	43
8 x 6		662-08630600-000	<b>882.87</b>	663-08630600-000	<b>1,164.50</b>	47
8 x 8		662-08630800-200	<b>1,113.60</b>	663-08630800-200	<b>1,491.33</b>	63
8 x 4	8.99-9.45	662-09050400-000	<b>842.61</b>	663-09050400-000	<b>1,074.40</b>	43
8 x 6		662-09050600-000	<b>882.87</b>	663-09050600-000	<b>1,164.50</b>	49
8 x 8		662-09050800-200	<b>1,113.60</b>	663-09050800-200	<b>1,491.33</b>	63
8 x 4	9.20-9.60	662-09450400-000	<b>842.61</b>	663-09450400-000	<b>1,074.40</b>	43
8 x 6		662-09450600-000	<b>882.87</b>	663-09450600-000	<b>1,164.50</b>	49
8 x 8		662-09450800-200	<b>1,113.60</b>	663-09450800-200	<b>1,491.33</b>	63
8 x 4	9.60-10.00	662-09650400-000	<b>842.61</b>	663-09650400-000	<b>1,074.40</b>	43
8 x 6		662-09650600-000	<b>882.87</b>	663-09650600-000	<b>1,164.50</b>	47
8 x 8		662-09650800-200	<b>1,113.60</b>	663-09650800-200	<b>1,491.33</b>	63
10 x 4	9.90-10.30	662-10000400-000	<b>886.33</b>	663-10000400-000	<b>1,245.15</b>	47
10 x 6		662-10000600-000	<b>924.81</b>	663-10000600-000	<b>1,348.23</b>	51
10 x 8		662-10000800-000	<b>1,124.08</b>	663-10000800-000	<b>1,638.16</b>	70
10 x 4	10.73-11.13	662-10750400-000	<b>886.33</b>	663-10750400-000	<b>1,245.15</b>	47
10 x 6		662-10750600-000	<b>924.81</b>	663-10750600-000	<b>1,348.23</b>	51
10 x 8		662-10750800-000	<b>1,124.08</b>	663-10750800-000	<b>1,638.16</b>	70
10 x 10		662-10751000-200	<b>1,906.51</b>	663-10751000-200	<b>2,502.75</b>	75
10 x 4	11.05-11.45	662-11100400-000	<b>886.33</b>	663-11100400-000	<b>1,245.15</b>	47
10 x 6		662-11100600-000	<b>924.81</b>	663-11100600-000	<b>1,348.23</b>	51
10 x 8		662-11100800-000	<b>1,124.08</b>	663-11100800-000	<b>1,638.16</b>	70
10 x 10		662-11101000-200	<b>1,906.51</b>	663-11101000-200	<b>2,502.75</b>	75

Larger size tapping sleeves available.



## 662 & 663 Stainless Steel Tapping Sleeves Size-on-Size and Reducing

Nominal Size Pipe x Flg. Outlet Inches	O.D. Range Inches	Carbon Steel Flexi-Coat®Epoxy Coated		304 Stainless Steel Flange		Approx. Weight lbs.
		Catalog Number	List Price	Catalog Number	List Price	
10 x 4 10 x 6 10 x 8 10 x 10	11.70-12.10	662-11750400-000	<b>\$886.33</b>	663-11750400-000	<b>\$1,245.15</b>	47
		662-11750600-000	<b>924.81</b>	663-11750600-000	<b>1,348.23</b>	51
		662-11750800-000	<b>1,124.08</b>	663-11750800-000	<b>1,638.16</b>	70
		662-11751000-200	<b>1,906.51</b>	663-11751000-200	<b>2,502.75</b>	75
10 x 4 10 x 6 10 x 8 10 x 10	12.00-12.40	662-12000400-000	<b>886.33</b>	663-12000400-000	<b>1,245.15</b>	47
		662-12000600-000	<b>924.81</b>	663-12000600-000	<b>1,348.23</b>	51
		662-12000800-000	<b>1,124.08</b>	663-12000800-000	<b>1,638.16</b>	70
		662-12001000-200	<b>1,906.51</b>	663-12001000-200	<b>2,502.75</b>	75
12 x 4 12 x 6 12 x 8 12 x 10 12 x 12	12.50-12.90	662-12750400-000	<b>949.23</b>	663-12750400-000	<b>1,389.74</b>	51
		662-12750600-000	<b>1019.21</b>	663-12750600-000	<b>1,540.78</b>	56
		662-12750800-000	<b>1,214.85</b>	663-12750800-000	<b>1,933.11</b>	75
		662-12751000-000	<b>1,989.28</b>	663-12751000-000	<b>2,453.06</b>	80
12 x 4 12 x 6 12 x 8 12 x 10 12 x 12	13.16-13.56	662-12751200-200	<b>2,165.39</b>	663-12751200-200	<b>2,843.75</b>	110
		662-13200400-000	<b>949.23</b>	663-13200400-000	<b>1,389.74</b>	51
		662-13200600-000	<b>1019.21</b>	663-13200600-000	<b>1,540.78</b>	56
		662-13200800-000	<b>1,214.85</b>	663-13200800-000	<b>1,933.11</b>	75
12 x 4 12 x 6 12 x 8 12 x 10 12 x 12	13.60-14.09	662-13201000-000	<b>1,989.28</b>	663-13201000-000	<b>2,453.06</b>	80
		662-13201200-200	<b>2,165.39</b>	663-13201200-200	<b>2,843.75</b>	110
		662-13820400-000	<b>949.23</b>	663-13820400-000	<b>1,389.74</b>	51
		662-13820600-000	<b>1019.21</b>	663-13820600-000	<b>1,540.78</b>	55
12 x 4 12 x 6 12 x 8 12 x 10 12 x 12	13.60-14.09	662-13820800-000	<b>1,214.85</b>	663-13820800-000	<b>1,933.11</b>	75
		662-13821000-000	<b>1,989.28</b>	663-13821000-000	<b>2,453.06</b>	80
		662-13821200-200	<b>2,165.39</b>	663-13821200-200	<b>2,843.75</b>	110
		662-14250400-000	<b>949.23</b>	663-14250400-000	<b>1,389.74</b>	51
12 x 4 12 x 6 12 x 8 12 x 10 12 x 12	14.10-14.58	662-14250600-000	<b>1019.21</b>	663-14250600-000	<b>1,540.78</b>	58
		662-14250800-000	<b>1,214.85</b>	663-14250800-000	<b>1,933.11</b>	75
		662-14251000-000	<b>1,989.28</b>	663-14251000-000	<b>2,453.06</b>	80
		662-14251200-200	<b>2,165.39</b>	663-14251200-200	<b>2,843.75</b>	110
14 x 4 14 x 6 14 x 8 14 x 10 14 x 12	15.30-15.80	662-15300400-000	<b>1,432.74</b>	663-15300400-000	<b>1,640.99</b>	72
		662-15300600-000	<b>1,485.63</b>	663-15300600-000	<b>1,769.73</b>	76
		662-15300800-000	<b>1,938.65</b>	663-15300800-000	<b>2,215.16</b>	95
		662-15301000-000	<b>2,607.54</b>	663-15301000-000	<b>2,735.64</b>	102
14 x 4 14 x 6 14 x 8 14 x 10 14 x 12	15.30-15.80	662-15301200-000	<b>2,866.84</b>	663-15301200-000	<b>2,997.26</b>	135
		662-16000400-000	<b>1,432.74</b>	663-16000400-000	<b>1,640.99</b>	72
		662-16000600-000	<b>1,485.63</b>	663-16000600-000	<b>1,769.73</b>	76
		662-16000800-000	<b>1,938.65</b>	663-16000800-000	<b>2,215.16</b>	95
14 x 4 14 x 6 14 x 8 14 x 10 14 x 12	15.80-16.30	662-16001000-000	<b>2,607.54</b>	663-16001000-000	<b>2,735.64</b>	102
		662-16001200-000	<b>2,866.84</b>	663-16001200-000	<b>2,997.26</b>	135

Larger size tapping sleeves available.



## 662 & 663 Stainless Steel Tapping Sleeves Size-on-Size and Reducing

Nominal Size Pipe x Flg. Outlet Inches	O.D. Range Inches	Carbon Steel Flexi-Coat®Epoxy Coated		304 Stainless Steel Flange		Approx. Weight lbs
		Catalog Number	List Price	Catalog Number	List Price	
14 x 4 14 x 6 14 x 8 14 x 10 14 x 12	16.40-16.80	662-16400400-000	\$1,432.74	663-16400400-000	\$1,640.99	72
		662-16400600-000	1,485.63	663-16400600-000	1,769.73	76
		662-16400800-000	1,938.65	663-16400800-000	2,215.16	95
		662-16401000-000	2,607.54	663-16401000-000	2,735.64	102
		662-16401200-000	2,866.84	663-16401200-000	2,997.26	135
16 x 4 16 x 6 16 x 8 16 x 10 16 x 12	17.40-17.80	662-17400400-000	1,775.88	663-17400400-000	2,039.53	77
		662-17400600-000	1,831.42	663-17400600-000	2,312.46	82
		662-17400800-000	2,121.49	663-17400800-000	2,513.53	103
		662-17401000-000	2,947.23	663-17401000-000	3,075.35	108
		662-17401200-000	3,120.24	663-17401200-000	3,447.13	145
16-18 x 4 16-18 x 6 16-18 x 8 16-18 x 10 16-18 x 12	18.60-19.20	662-18700400-000	1,775.88	663-18700400-000	2,039.53	77
		662-18700600-000	1,831.42	663-18700600-000	2,312.46	82
		662-18700800-000	2,121.49	663-18700800-000	2,513.53	103
		662-18701000-000	2,947.23	663-18701000-000	3,075.35	108
		662-18701200-000	3,120.24	663-18701200-000	3,447.13	145
18-20 x 4 18-20 x 6 18-20 x 8 18-20 x 10 18-20 x 12	19.50-20.10	662-19500400-000	1,819.88	663-19500400-000	2,175.45	78
		662-19500600-000	1,874.07	663-19500600-000	2,597.73	82
		662-19500800-000	2,140.18	663-19500800-000	2,808.86	105
		662-19501000-000	3,034.65	663-19501000-000	3,299.03	111
		662-19501200-000	3,207.40	663-19501200-000	3,956.90	147
18-20 x 4 18-20 x 6 18-20 x 8 18-20 x 10 18-20 x 12	20.90-21.59	662-20900400-000	1,819.88	663-20900400-000	2,175.45	82
		662-20900600-000	1,874.07	663-20900600-000	2,597.73	82
		662-20900800-000	2,140.18	663-20900800-000	2,808.86	105
		662-20901000-000	3,034.65	663-20901000-000	3,299.03	111
		662-20901200-000	3,207.40	663-20901200-000	3,956.90	147
20 x 4 20 x 6 20 x 8 20 x 10 20 x 12	21.60-22.40	662-21600400-000	2,121.47	663-21600400-000	2,261.25	88
		662-21600600-000	2,177.70	663-21600600-000	2,682.37	94
		662-21600800-000	2,612.72	663-21600800-000	2,848.45	118
		662-21601000-000	3,461.69	663-21601000-000	3,785.60	124
		662-21601200-000	3,694.23	663-21601200-000	4,294.35	160
20-24 x 4 20-24 x 6 20-24 x 8 20-24 x 10 20-24 x 12	23.50-24.20	662-23500400-000	2,236.12	663-23500400-000	2,476.30	95
		662-23500600-000	2,291.48	663-23500600-000	2,554.65	100
		662-23500800-000	2,740.03	663-23500800-000	2,958.80	122
		662-23501000-000	3,659.28	663-23501000-000	3,840.48	130
		662-23501200-000	3,832.19	663-23501200-000	4,089.86	169
24 x 4 24 x 6 24 x 8 24 x 10 24 x 12	25.80-26.60	662-25800400-000	2,436.02	663-25800400-000	2,806.44	95
		662-25800600-000	2,498.21	663-25800600-000	2,841.46	100
		662-25800800-000	2,827.63	663-25800800-000	3,046.41	122
		662-25801000-000	3,989.44	663-25801000-000	4,170.65	130
		662-25801200-000	4,178.09	663-25801200-000	4,757.14	170
24 x 4 24 x 6 24 x 8 24 x 10 24 x 12	28.30-29.00	662-28300400-000	2,436.02	663-28300400-000	2,806.44	95
		662-28300600-000	2,498.21	663-28300600-000	2,841.46	100
		662-28300800-000	2,827.63	663-28300800-000	3,046.41	122
		662-28301000-000	3,989.44	663-28301000-000	4,170.65	130
		662-28301200-000	4,178.09	663-28301200-000	4,757.14	170

Larger size tapping sleeves available.



## 662 & 663 Stainless Steel Tapping Sleeves With MJ Outlet Size-on Size and Reducing

Nominal Size Pipe x Flg. Outlet Inches	O.D. Range Inches	Carbon Steel Flexi-Coat®Epoxy Coated		304 Stainless Steel Flange		Approx. Weight lbs.
		Catalog Number	List Price	Catalog Number	List Price	
4 x 4	4.46-4.86	662-048004MJ-200	<b>\$852.20</b>	663-048004MJ-200	<b>\$1,071.58</b>	38
4 x 4	4.80-5.10	662-050004MJ-200	<b>852.20</b>	663-050004MJ-200	<b>1,071.58</b>	46
4 x 4	4.95-5.25	662-051004MJ-200	<b>852.20</b>	663-051004MJ-200	<b>1,071.58</b>	46
6 x 4 6 x 6	6.59-6.99	662-066304MJ-000	<b>829.59</b>	663-066304MJ-000	<b>1,106.69</b>	44
		662-066306MJ-200	<b>990.69</b>	663-066306MJ-200	<b>1,232.12</b>	51
6 x 4 6 x 6	6.84-7.30	662-069004MJ-000	<b>829.59</b>	663-069004MJ-000	<b>1,106.69</b>	44
		662-069006MJ-200	<b>990.69</b>	663-069006MJ-200	<b>1,232.12</b>	51
6 x 4 6 x 6	7.10-7.50	662-072004MJ-000	<b>829.59</b>	663-072004MJ-000	<b>1,106.69</b>	44
		662-072006MJ-200	<b>990.69</b>	663-072006MJ-200	<b>1,232.12</b>	51
6 x 4 6 x 6	7.40-7.80	662-074504MJ-000	<b>829.59</b>	663-074504MJ-000	<b>1,106.69</b>	44
		662-074506MJ-200	<b>990.69</b>	663-074506MJ-200	<b>1,232.12</b>	51
8 x 4 8 x 6	7.90-8.30	662-080004MJ-000	<b>906.42</b>	663-080004MJ-000	<b>1,138.21</b>	49
		662-080006MJ-000	<b>997.73</b>	663-080006MJ-000	<b>1,292.13</b>	56
8 x 4 8 x 6 8 x 8	8.62-9.06	662-086304MJ-000	<b>906.42</b>	663-086304MJ-000	<b>1,138.21</b>	49
		662-086306MJ-000	<b>997.73</b>	663-086306MJ-000	<b>1,292.13</b>	56
		662-086308MJ-200	<b>1,253.98</b>	663-086308MJ-200	<b>1,631.70</b>	74
8 x 4 8 x 6 8 x 8	8.99-9.45	662-090504MJ-000	<b>906.42</b>	663-090504MJ-000	<b>1,138.21</b>	49
		662-090506MJ-000	<b>997.73</b>	663-090506MJ-000	<b>1,292.13</b>	56
		662-090508MJ-200	<b>1,253.98</b>	663-090508MJ-200	<b>1,631.70</b>	74
8 x 4 8 x 6 8 x 8	9.20-9.60	662-094504MJ-000	<b>906.42</b>	663-094504MJ-000	<b>1,138.21</b>	49
		662-094506MJ-000	<b>997.73</b>	663-094506MJ-000	<b>1,292.13</b>	56
		662-094508MJ-200	<b>1,253.98</b>	663-094508MJ-200	<b>1,631.70</b>	74
8 x 4 8 x 6 8 x 8	9.60-10.00	662-096504MJ-000	<b>906.42</b>	663-096504MJ-000	<b>1,138.21</b>	49
		662-096506MJ-000	<b>997.73</b>	663-096506MJ-000	<b>1,292.13</b>	56
		662-096508MJ-200	<b>1,253.98</b>	663-096508MJ-200	<b>1,631.70</b>	74
10 x 4 10 x 6 10 x 8	9.90-10.30	662-100004MJ-000	<b>950.13</b>	663-100004MJ-000	<b>1,308.95</b>	53
		662-100006MJ-000	<b>1039.67</b>	663-100006MJ-000	<b>1,463.09</b>	60
		662-100008MJ-000	<b>1,264.46</b>	663-100008MJ-000	<b>1,778.54</b>	81
10 x 4 10 x 6 10 x 8 10 x 10	10.73-11.13	662-107504MJ-000	<b>950.13</b>	663-107504MJ-000	<b>1,308.95</b>	53
		662-107506MJ-000	<b>1039.67</b>	663-107506MJ-000	<b>1,463.09</b>	60
		662-107508MJ-000	<b>1,264.46</b>	663-107508MJ-000	<b>1,778.54</b>	81
		662-107510MJ-200	<b>2,059.65</b>	663-107510MJ-200	<b>2,655.89</b>	87
10 x 4 10 x 6 10 x 8 10 x 10	11.05-11.45	662-111004MJ-000	<b>950.13</b>	663-111004MJ-000	<b>1,308.95</b>	53
		662-111006MJ-000	<b>1039.67</b>	663-111006MJ-000	<b>1,463.09</b>	60
		662-111008MJ-000	<b>1,264.46</b>	663-111008MJ-000	<b>1,778.54</b>	81
		662-111010MJ-200	<b>2,059.65</b>	663-111010MJ-200	<b>2,655.89</b>	100
10 x 4 10 x 6 10 x 8 10 x 10	11.70-12.10	662-117504MJ-000	<b>950.13</b>	663-117504MJ-000	<b>1,308.95</b>	53
		662-117506MJ-000	<b>1039.67</b>	663-117506MJ-000	<b>1,463.09</b>	60
		662-117508MJ-000	<b>1,264.46</b>	663-117508MJ-000	<b>1,778.54</b>	81
		662-117510MJ-200	<b>2,059.65</b>	663-117510MJ-200	<b>2,655.89</b>	87

Larger size tapping sleeves available.



## 662 & 663 Stainless Steel Tapping Sleeves With MJ Outlet Size-on-Size and Reducing

Nominal Size Pipe x Flg. Outlet Inches	O.D. Range Inches	Carbon Steel Flexi-Coat®Epoxy Coated		304 Stainless Steel Flange		Approx. Weight lbs.
		Catalog Number	List Price	Catalog Number	List Price	
10 x 4 10 x 6 10 x 8 10 x 10	12.00-12.40	662-120004MJ-000	\$950.13	663-120004MJ-000	\$1,308.95	53
		662-120006MJ-000	1039.67	663-120006MJ-000	1,463.09	60
		662-120008MJ-000	1,264.46	663-120008MJ-000	1,778.54	81
		662-120010MJ-200	2,059.65	663-120010MJ-200	2,655.89	87
12 x 4 12 x 6 12 x 8 12 x 10 12 x 12	12.50-12.90	662-127504MJ-000	1013.04	663-127504MJ-000	1,453.55	57
		662-127506MJ-000	1,134.06	663-127506MJ-000	1,655.64	64
		662-127508MJ-000	1,355.22	663-127508MJ-000	2,073.50	86
		662-127510MJ-000	2,142.41	663-127510MJ-000	2,606.21	110
		662-127512MJ-200	2,344.06	663-127512MJ-200	3,022.40	123
12 x 4 12 x 6 12 x 8 12 x 10 12 x 12	13.16-13.56	662-132004MJ-000	1013.04	663-132004MJ-000	1,453.55	57
		662-132006MJ-000	1,134.06	663-132006MJ-000	1,655.64	75
		662-132008MJ-000	1,355.22	663-132008MJ-000	2,073.50	86
		662-132010MJ-000	2,142.41	663-132010MJ-000	2,606.21	110
		662-132012MJ-200	2,344.06	663-132012MJ-200	3,022.40	123
12 x 4 12 x 6 12 x 8 12 x 10 12 x 12	13.60-14.09	662-138204MJ-000	1013.04	663-138204MJ-000	1453.55	57
		662-138206MJ-000	1,134.06	663-138206MJ-000	1,655.64	64
		662-138208MJ-000	1,355.22	663-138208MJ-000	2,073.50	86
		662-138210MJ-000	2,142.41	663-138210MJ-000	2,606.21	92
		662-138212MJ-200	2,344.06	663-138212MJ-200	3,022.44	123
12 x 4 12 x 6 12 x 8 12 x 10 12 x 12	14.10-14.58	662-142504MJ-000	1013.04	663-142504MJ-000	1,453.55	57
		662-142506MJ-000	1,134.06	663-142506MJ-000	1,655.64	64
		662-142508MJ-000	1,355.22	663-142508MJ-000	2,073.50	86
		662-142510MJ-000	2,142.41	663-142510MJ-000	2,606.21	92
		662-142512MJ-200	2,344.06	663-142512MJ-200	3,022.44	123
14 x 4 14 x 6 14 x 8 14 x 10 14 x 12	15.30-15.80	662-153004MJ-000	1,496.54	663-153004MJ-000	1,704.80	48
		662-153006MJ-000	1,600.47	663-153006MJ-000	1,884.59	85
		662-153008MJ-000	2,079.03	663-153008MJ-000	2,355.54	106
		662-153010MJ-000	2,760.67	663-153010MJ-000	2,888.78	114
		662-153012MJ-000	3,045.49	663-153012MJ-000	3,175.91	145
14 x 4 14 x 6 14 x 8 14 x 10 14 x 12	15.80-16.30	662-160004MJ-000	1,496.54	663-160004MJ-000	1,704.80	48
		662-160006MJ-000	1,600.47	663-160006MJ-000	1,884.59	85
		662-160008MJ-000	2,079.03	663-160008MJ-000	2,355.54	106
		662-160010MJ-000	2,760.67	663-160010MJ-000	2,888.78	114
		662-160012MJ-000	3,045.49	663-160012MJ-000	3,175.91	145
14 x 4 14 x 6 14 x 8 14 x 10 14 x 12	16.40-16.80	662-164004MJ-000	1,496.54	663-164004MJ-000	1,704.80	48
		662-164006MJ-000	1,600.47	663-164006MJ-000	1,884.59	85
		662-164008MJ-000	2,079.03	663-164008MJ-000	2,781.53	106
		662-164010MJ-000	2,760.67	663-164010MJ-000	2,888.78	114
		662-164012MJ-000	3,045.49	663-164012MJ-000	3,175.91	145

Larger size tapping sleeves available.



## 662 & 663 Stainless Steel Tapping Sleeves, MJ Outlet Size-on-Size and Reducing

Nominal Size Pipe x Flg. Outlet Inches	O.D. Range Inches	Carbon Steel Flexi-Coat®Epoxy Coated		304 Stainless Steel Flange		Approx. Weight lbs.
		Catalog Number	List Price	Catalog Number	List Price	
16 x 4 16 x 6 16 x 8 16 x 10 16 x 12	17.40-17.80	662-174004MJ-000	\$1,839.68	663-174004MJ-000	\$2,103.34	83
		662-174006MJ-000	1,946.28	663-174006MJ-000	2,427.32	91
		662-174008MJ-000	2,261.88	663-174008MJ-000	2,781.53	114
		662-174010MJ-000	3,100.38	663-174010MJ-000	3,228.49	120
		662-174012MJ-000	3,298.90	663-174012MJ-000	3,625.80	158
16-18 x 4 16-18 x 6 16-18 x 8 16-18 x 10 16-18 x 12	18.60-19.20	662-187004MJ-000	1,839.68	663-187004MJ-000	2,103.34	83
		662-187006MJ-000	1,946.28	663-187006MJ-000	2,427.32	91
		662-187008MJ-000	2,261.88	663-187008MJ-000	2,781.53	114
		662-187010MJ-000	3,100.38	663-187010MJ-000	3,228.49	120
		662-187012MJ-000	3,298.90	663-187012MJ-000	3,625.80	158
18-20 x 4 18-20 x 6 18-20 x 8 18-20 x 10 18-20 x 12	19.50-20.10	662-195004MJ-000	1,883.69	663-195004MJ-000	2,239.26	83
		662-195006MJ-000	1,988.93	663-195006MJ-000	2,712.59	91
		662-195008MJ-000	2,280.57	663-195008MJ-000	2,949.23	114
		662-195010MJ-000	3,187.78	663-195010MJ-000	3,452.16	120
		662-195012MJ-000	3,386.07	663-195012MJ-000	4,135.56	158
18-20 x 4 18-20 x 6 18-20 x 8 18-20 x 10 18-20 x 12	20.90-21.59	662-209004MJ-000	1,883.69	663-209004MJ-000	2,239.26	84
		662-209006MJ-000	1,988.93	663-209006MJ-000	2,712.59	91
		662-209008MJ-000	2,280.57	663-209008MJ-000	2,949.23	116
		662-209010MJ-000	3,187.78	663-209010MJ-000	3,452.16	123
		662-209012MJ-000	3,386.07	663-209012MJ-000	4,135.56	160
20 x 4 20 x 6 20 x 8 20 x 10 20 x 12	21.60-22.40	662-216004MJ-000	2,185.29	663-216004MJ-000	2,325.05	94
		662-216006MJ-000	2,292.56	663-216006MJ-000	2,797.22	103
		662-216008MJ-000	2,753.09	663-216008MJ-000	2,988.84	129
		662-216010MJ-000	3,674.37	663-216010MJ-000	3,938.75	136
		662-216012MJ-000	3,872.88	663-216012MJ-000	4,473.01	173
20-24 x 4 20-24 x 6 20-24 x 8 20-24 x 10 20-24 x 12	23.50-24.20	662-235004MJ-000	2,299.93	663-235004MJ-000	2,540.11	101
		662-235006MJ-000	2,406.34	663-235006MJ-000	2,669.51	109
		662-235008MJ-000	2,880.41	663-235008MJ-000	3,099.17	133
		662-235010MJ-000	3,774.13	663-235010MJ-000	3,993.62	142
		662-235012MJ-000	4,010.84	663-235012MJ-000	4,268.51	182
24 x 4 24 x 6 24 x 8 24 x 10 24 x 12	25.80-26.60	662-258004MJ-000	2,499.83	663-258004MJ-000	2,870.25	101
		662-258006MJ-000	2,613.07	663-258006MJ-000	2,956.24	122
		662-258008MJ-000	2,968.00	663-258008MJ-000	3,186.78	133
		662-258010MJ-000	4,142.59	663-258010MJ-000	4,323.78	142
		662-258012MJ-000	4,356.75	663-258012MJ-000	4,935.81	182
24 x 4 24 x 6 24 x 8 24 x 10 24 x 12	28.30-29.00	662-283004MJ-000	2,499.83	663-283004MJ-000	2,870.25	109
		662-283006MJ-000	2,613.07	663-283006MJ-000	2,956.31	118
		662-283008MJ-000	2,968.00	663-283008MJ-000	3,186.78	144
		662-283010MJ-000	4,142.59	663-283010MJ-000	4,323.78	153
		662-283012MJ-000	4,356.75	663-283012MJ-000	4,935.81	198

Larger size tapping sleeves available.

## 663 WR Wide Range Tapping Sleeves All Stainless Steel

Nominal Size	Flange Outlet	OD Range (Inches)	663 WR Stainless Steel Flange	List Price Flanged Outlet	List Price MJ Outlet	Approx Weight Each LBS.
4	4	4.45-5.14	663WR-040400-200	\$1,061	\$1,082	34
	4	4.75-5.45	663WR-040400-2AC	1,061	1,082	34
6	4	6.56-7.36	663WR-060400-000	1,097	1,118	40
	6		663WR-060600-200	1,208	1,245	44
	4	6.83-7.63	663WR-060400-0AC	1,097	1,118	40
	6		663WR-060600-2AC	1,208	1,245	44
8	4	8.54-9.34	663WR-080400-000	1,129	1,150	44
	6		663WR-080600-000	1,281	1,319	49
	8		663WR-080800-200	1,638	1,725	66
	4	8.99-9.79	663WR-080400-0AC	1,129	1,150	44
	6		663WR-080600-0AC	1,281	1,319	49
	8		663WR-080800-2AC	1,638	1,725	66
10	4	10.64-11.54	663WR-100400-000	1,307	1,328	49
	6		663WR-100600-000	1,418	1,455	53
	8		663WR-100800-000	1,785	1,872	75
	10		663WR-101000-200	2,625	2,730	80
	4	11.34-12.24	663WR-100400-0AC	1,307	1,328	49
	6		663WR-100600-0AC	1,418	1,455	53
	8		663WR-100800-0AC	1,785	1,872	75
	10		663WR-101000-2AC	2,625	2,730	80
12	4	12.62-13.57	663WR-120400-000	1,460	1,481	53
	6		663WR-120600-000	1,617	1,655	57
	8		663WR-120800-000	2,032	2,119	78
	10		663WR-121000-000	2,683	2,788	85
	12		663WR-121200-200	2,987	3,134	115
	4	13.44-14.39	663WR-120400-0AC	1,460	1,481	53
	6		663WR-120600-0AC	1,617	1,655	57
	8		663WR-120800-0AC	2,032	2,119	78
	10		663WR-121000-0AC	2,683	2,788	85
	12		663WR-121200-2AC	2,987	3,134	115

For MJ Outlets, replace the last two 00s in the middle eight digits with MJ. Example: 663WR-1204MJ-000



## 664 & 665 Stainless Steel Tapping Sleeves Size-on Size and Reducing with Removable Bolts & Nuts

Nominal Size Pipe x Fig. Outlet Inches	O.D. Range Inches	Carbon Steel Flexi-Coat® Epoxy Coated Flange		304 Stainless Steel Flange		Approx. Weight lbs.
		Catalog Number	List Price	Catalog Number	List Price	
4 x 4	4.50-4.80	664-04800400-200	\$773.50	665-04800400-200	\$843.72	32
	4.80-5.10	664-05000400-200	\$773.50	665-05000400-200	\$843.69	32
6 x 4 6 x 6	6.59-6.99	664-06630400-000	\$758.57	665-06630400-000	\$971.78	55
		664-06630600-200	\$867.57	665-06630600-200	\$1041.11	61
6 x 4 6 x 6	6.84-7.30	664-06900400-000	\$758.57	665-06900400-000	\$971.78	55
		664-06900600-200	\$867.57	665-06900600-200	\$1041.11	61
6 x 4 6 x 6	7.10-7.50	664-07200400-000	\$758.57	665-07200400-000	\$971.78	55
		664-07200600-200	\$867.57	665-07200600-200	\$1041.11	61
6 x 4 6 x 6	7.40-7.80	664-07450400-000	\$758.57	665-07450400-000	\$971.78	55
		664-07450600-200	\$867.57	665-07450600-200	\$1041.11	61
8 x 4 8 x 6	7.90-8.30	664-08000400-000	\$834.67	665-08000400-000	\$1001.14	64
		664-08000600-000	\$874.53	665-08000600-000	\$1085.12	72
8 x 4 8 x 6 8 x 8	8.65-9.06	664-08630400-000	\$834.67	665-08630400-000	\$1001.14	64
		664-08630600-000	\$874.53	665-08630600-000	\$1085.12	72
		664-08630800-200	\$1103.09	665-08630800-200	\$1389.62	93
8 x 4 8 x 6 8 x 8	8.99-9.45	664-09050400-000	\$834.67	665-09050400-000	\$1001.14	64
		664-09050600-000	\$874.53	665-09050600-000	\$1085.12	72
		664-09050800-200	\$1103.09	665-09050800-200	\$1389.62	93
8 x 4 8 x 6 8 x 8	9.20-9.60	664-09450400-000	\$834.67	665-09450400-000	\$1001.14	64
		664-09450600-000	\$874.42	665-09450600-000	\$1085.12	72
		664-09450800-200	\$1103.09	665-09450800-200	\$1389.62	93
8 x 4 8 x 6 8 x 8	9.60-10.00	664-09650400-000	\$834.67	665-09650400-000	\$1001.14	64
		664-09650600-000	\$874.53	665-09650600-000	\$1085.12	72
		664-09650800-200	\$1103.09	665-09650800-200	\$1389.62	93
10 x 4 10 x 6 10 x 8	9.90-10.30	664-10000400-000	\$877.97	665-10000400-000	\$1160.27	61
		664-10000600-000	\$916.09	665-10000600-000	\$1256.34	65
		664-10000800-000	\$1113.47	665-10000800-000	\$1526.47	88
10 x 4 10 x 6 10 x 8 10 x 10	10.73-11.13	664-10750400-000	\$877.97	665-10750400-000	\$1160.27	61
		664-10750600-000	\$916.09	665-10750600-000	\$1256.34	65
		664-10750800-000	\$1113.47	665-10750800-000	\$1526.47	88
		664-10751000-200	\$1888.52	665-10751000-200	\$2332.10	95
10 x 4 10 x 6 10 x 8 10 x 10	11.05-11.45	664-11100400-000	\$877.97	665-11100400-000	\$1160.27	61
		664-11100600-000	\$916.09	665-11100600-000	\$1256.34	65
		664-11100800-000	\$1113.47	665-11100800-000	\$1526.47	88
		664-11101000-200	\$1888.52	665-11101000-200	\$2332.10	95
10 x 4 10 x 6 10 x 8 10 x 10	11.70-12.10	664-11750400-000	\$877.97	665-11750400-000	\$1160.27	61
		664-11750600-000	\$916.09	665-11750600-000	\$1256.34	65
		664-11750800-000	\$1113.47	665-11750800-000	\$1526.47	88
		664-11751000-200	\$1888.52	665-11751000-200	\$2332.10	95
10 x 4 10 x 6 10 x 8 10 x 10	12.00-12.40	664-12000400-000	\$877.97	665-12000400-000	\$1160.27	61
		664-12000600-000	\$916.09	665-12000600-000	\$1256.34	65
		664-12000800-000	\$1113.47	665-12000800-000	\$1526.47	88
		664-12001000-200	\$1888.52	665-12001000-200	\$2332.10	95

Larger size tapping sleeves available.



## 664 & 665 Stainless Steel Tapping Sleeves

### Size-on Size and Reducing with Removable Bolts & Nuts

Nominal Size Pipe x Fig. Outlet Inches	O.D. Range Inches	Carbon Steel Flexi-Coat® Epoxy Coated Flange		304 Stainless Steel Flange		Approx. Weight lbs.
		Catalog Number	List Price	Catalog Number	List Price	
12 x 4 12 x 6 12 x 8 12 x 10 12 x 12	12.50-12.90	664-12750400-000	<b>\$940.29</b>	665-12750400-000	<b>\$1,294.98</b>	65
		664-12750600-000	<b>\$1009.60</b>	665-12750600-000	<b>\$1,435.73</b>	69
		664-12750800-000	<b>\$1203.39</b>	665-12750800-000	<b>\$1,801.31</b>	95
		664-12751000-000	<b>\$1970.50</b>	665-12751000-000	<b>\$2,285.80</b>	101
		664-12751200-200	<b>\$2144.97</b>	665-12751200-200	<b>\$2,649.83</b>	138
12 x 4 12 x 6 12 x 8 12 x 10 12 x 12	13.16-13.56	664-13200400-000	<b>\$940.29</b>	665-13200400-000	<b>\$1,294.98</b>	65
		664-13200600-000	<b>\$1009.60</b>	665-13200600-000	<b>\$1,435.73</b>	69
		664-13200800-000	<b>\$1203.39</b>	665-13200800-000	<b>\$1,801.31</b>	95
		664-13201000-000	<b>\$1970.50</b>	665-13201000-000	<b>\$2,285.80</b>	101
		664-13201200-200	<b>\$2144.97</b>	665-13201200-200	<b>\$2,649.83</b>	138
12 x 4 12 x 6 12 x 8 12 x 10 12 x 12	13.60-14.09	664-13820400-000	<b>\$940.29</b>	665-13820400-000	<b>\$1,294.98</b>	65
		664-13820600-000	<b>\$1009.59</b>	665-13820600-000	<b>\$1,435.73</b>	69
		664-13820800-000	<b>\$1203.39</b>	665-13820800-000	<b>\$1,801.31</b>	95
		664-13821000-000	<b>\$1984.19</b>	665-13821000-000	<b>\$2,285.80</b>	101
		664-13821200-200	<b>\$2144.97</b>	665-13821200-200	<b>\$2,649.83</b>	138
12 x 4 12 x 6 12 x 8 12 x 10 12 x 12	14.10-14.58	664-14250400-000	<b>\$940.29</b>	665-14250400-000	<b>\$1,294.98</b>	65
		664-14250600-000	<b>\$1009.59</b>	665-14250600-000	<b>\$1,435.73</b>	69
		664-14250800-000	<b>\$1203.39</b>	665-14250800-000	<b>\$1,801.31</b>	95
		664-14251000-000	<b>\$1984.19</b>	665-14251000-000	<b>\$2,285.80</b>	101
		664-14251200-200	<b>\$2144.97</b>	665-14251200-200	<b>\$2,649.83</b>	138
14 x 4 14 x 6 14 x 8 14 x 10 14 x 12	15.30-15.80	664-15300400-000	<b>\$1432.74</b>	665-15300400-000	<b>\$1,640.99</b>	63
		664-15300600-000	<b>\$1485.63</b>	665-15300600-000	<b>\$1,769.73</b>	67
		664-15300800-000	<b>\$1938.65</b>	665-15300800-000	<b>\$2,215.15</b>	90
		664-15301000-000	<b>\$2607.54</b>	665-15301000-000	<b>\$2,735.64</b>	113
		664-15301200-000	<b>\$2866.84</b>	665-15301200-000	<b>\$2,997.26</b>	128
14 x 4 14 x 6 14 x 8 14 x 10 14 x 12	15.80-16.30	664-16000400-000	<b>\$1432.74</b>	665-16000400-000	<b>\$1,640.99</b>	64
		664-16000600-000	<b>\$1485.63</b>	665-16000600-000	<b>\$1,769.73</b>	69
		664-16000800-000	<b>\$1938.65</b>	665-16000800-000	<b>\$2,215.15</b>	91
		664-16001000-000	<b>\$2607.54</b>	665-16001000-000	<b>\$2,735.64</b>	115
		664-16001200-000	<b>\$2866.84</b>	665-16001200-000	<b>\$2,997.26</b>	130
14 x 4 14 x 6 14 x 8 14 x 10 14 x 12	16.40-16.80	664-16400400-000	<b>\$1432.74</b>	665-16400400-000	<b>\$1,640.99</b>	66
		664-16400600-000	<b>\$1485.63</b>	665-16400600-000	<b>\$1,769.73</b>	69
		664-16400800-000	<b>\$1938.65</b>	665-16400800-000	<b>\$2,215.15</b>	95
		664-16401000-000	<b>\$2607.54</b>	665-16401000-000	<b>\$2,735.64</b>	116
		664-16401200-000	<b>\$2866.84</b>	665-16401200-000	<b>\$2,997.26</b>	132
16 x 4 16 x 6 16 x 8 16 x 10 16 x 12	17.40-17.80	664-17400400-000	<b>\$1775.88</b>	665-17400400-000	<b>\$2,039.53</b>	68
		664-17400600-000	<b>\$1831.42</b>	665-17400600-000	<b>\$2,312.46</b>	71
		664-17400800-000	<b>\$2121.49</b>	665-17400800-000	<b>\$2,513.53</b>	95
		664-17401000-000	<b>\$2947.23</b>	665-17401000-000	<b>\$3,075.35</b>	120
		664-17401200-000	<b>\$3120.24</b>	665-17401200-000	<b>\$3,447.13</b>	135

Larger size tapping sleeves available.



## 664 & 665 Stainless Steel Tapping Sleeves Size-on Size and Reducing with Removable Bolts & Nuts

Nominal Size Pipe x Flg. Outlet Inches	O.D. Range Inches	Carbon Steel Flexi-Coat® Epoxy Coated		304 Stainless Steel Flange		Approx. Weight lbs.
		Catalog Number	List Price	Catalog Number	List Price	
16-18 x 4 16-18 x 6 16-18 x 8 16-18 x 10 16-18 x 12	18.60-19.20	664-18700400-000	\$1,775.88	665-18700400-000	\$2,039.53	70
		664-18700600-000	\$1,831.42	665-18700600-000	\$2,312.46	73
		664-18700800-000	\$2,121.49	665-18700800-000	\$2,513.53	98
		664-18701000-000	\$2,947.23	665-18701000-000	\$3,075.35	123
		664-18701200-000	\$3,120.24	665-18701200-000	\$3,447.13	138
18-20 x 4 18-20 x 6 18-20 x 8 18-20 x 10 18-20 x 12	19.50-20.10	664-19500400-000	\$1,819.88	665-19500400-000	\$2,175.45	71
		664-19500600-000	\$1,874.07	665-19500600-000	\$2,597.73	75
		664-19500800-000	\$2,140.18	665-19500800-000	\$2,808.86	100
		664-19501000-000	\$3,034.65	665-19501000-000	\$3,299.03	126
		664-19501200-000	\$3,207.40	665-19501200-000	\$3,956.90	141
18-20 x 4 18-20 x 6 18-20 x 8 18-20 x 10 18-20 x 12	20.90-21.59	664-20900400-000	\$1,819.88	665-20900400-000	\$2,175.45	93
		664-20900600-000	\$1,874.07	665-20900600-000	\$2,597.73	96
		664-20900800-000	\$2,140.18	665-20900800-000	\$2,808.86	127
		664-20901000-000	\$3,034.65	665-20901000-000	\$3,299.03	134
		664-20901200-000	\$3,207.40	665-20901200-000	\$3,956.90	150
20 x 4 20 x 6 20 x 8 20 x 10 20 x 12	21.60-22.40	664-21600400-000	\$2,121.47	665-21600400-000	\$2,261.25	94
		664-21600600-000	\$2,177.70	665-21600600-000	\$2,682.37	98
		664-21600800-000	\$2,612.72	665-21600800-000	\$2,848.45	127
		664-21601000-000	\$3,521.23	665-21601000-000	\$3,785.60	136
		664-21601200-000	\$3,694.23	665-21601200-000	\$4,294.35	150
20-24 x 4 20-24 x 6 20-24 x 8 20-24 x 10 20-24 x 12	23.50-24.20	664-23500400-000	\$2,236.12	665-23500400-000	\$2,476.30	99
		664-23500600-000	\$2,291.48	665-23500600-000	\$2,554.65	102
		664-23500800-000	\$2,740.03	665-23500800-000	\$2,958.80	133
		664-23501000-000	\$3,659.28	665-23501000-000	\$3,840.48	142
		664-23501200-000	\$3,832.19	665-23501200-000	\$4,089.86	156
24 x 4 24 x 6 24 x 8 24 x 10 24 x 12	25.80-26.60	664-25800400-000	\$2,436.02	665-25800400-000	\$2,604.00	105
		664-25800600-000	\$2,498.21	665-25800600-000	\$2,864.03	108
		664-25800800-000	\$2,827.63	665-25800800-000	\$2,864.03	140
		664-25801000-000	\$3,989.44	665-25801000-000	\$3,840.48	149
		664-25801200-000	\$4,178.09	665-25801200-000	\$4,411.25	164
24 x 4 24 x 6 24 x 8 24 x 10 24 x 12	28.30-29.00	664-28300400-000	\$2,436.02	665-28300400-000	\$2,604.00	111
		664-28300600-000	\$2,498.21	665-28300600-000	\$2,634.71	114
		664-28300800-000	\$2,827.63	665-28300800-000	\$2,958.80	148
		664-28301000-000	\$3,989.44	665-28301000-000	\$3,840.48	157
		664-28301200-000	\$4,178.09	665-28301200-000	\$4,411.25	171

Larger size tapping sleeves available.



## 664 & 665 Stainless Steel Tapping Sleeves With MJ Outlet Size-on Size and Reducing with Removable Bolts & Nuts

Nominal Size Pipe x Fig. Outlet Inches	O.D. Range Inches	Carbon Steel Flexi-Coat® Epoxy Coated Flange		304 Stainless Steel Flange		Approx. Weight lbs.
		Catalog Number	List Price	Catalog Number	List Price	
4 x 4	4.50-4.80	664-048004MJ-200	<b>\$837.30</b>	665-048004MJ-200	<b>\$1020.76</b>	42
4 x 4	4.80-5.10	664-050004MJ-200	<b>\$837.30</b>	665-050004MJ-200	<b>\$1020.76</b>	42
6 x 4	6.59-6.99	664-066304MJ-000	<b>\$822.39</b>	665-066304MJ-000	<b>\$1035.59</b>	61
6 x 6		664-066306MJ-200	<b>\$982.41</b>	665-066306MJ-200	<b>\$1155.96</b>	70
6 x 4	6.84-7.30	664-069004MJ-000	<b>\$822.39</b>	665-069004MJ-000	<b>\$1035.59</b>	61
6 x 6		664-069006MJ-200	<b>\$982.41</b>	665-069006MJ-200	<b>\$1155.96</b>	70
6 x 4	7.10-7.50	664-072004MJ-000	<b>\$822.39</b>	665-072004MJ-000	<b>\$1035.59</b>	61
6 x 6		664-072006MJ-200	<b>\$982.41</b>	665-072006MJ-200	<b>\$1155.96</b>	70
6 x 4	7.40-7.80	664-074504MJ-000	<b>\$822.39</b>	665-074504MJ-000	<b>\$1035.59</b>	61
6 x 6		664-074506MJ-200	<b>\$982.41</b>	665-074506MJ-200	<b>\$1155.96</b>	70
8 x 4	7.90-8.30	664-080004MJ-000	<b>\$898.47</b>	665-080004MJ-000	<b>\$1064.95</b>	70
8 x 6		664-080006MJ-000	<b>\$989.39</b>	665-080006MJ-000	<b>\$1199.86</b>	81
8 x 4	8.65-9.06	664-086304MJ-000	<b>\$898.47</b>	665-086304MJ-000	<b>\$1064.95</b>	70
8 x 6		664-086306MJ-000	<b>\$989.39</b>	665-086306MJ-000	<b>\$1199.86</b>	81
8 x 8		664-086308MJ-200	<b>\$1243.46</b>	665-086308MJ-200	<b>\$1530.01</b>	104
8 x 4	8.99-9.45	664-090504MJ-000	<b>\$898.47</b>	665-090504MJ-000	<b>\$1064.95</b>	70
8 x 6		664-090506MJ-000	<b>\$989.39</b>	665-090506MJ-000	<b>\$1199.86</b>	81
8 x 8		664-090508MJ-200	<b>\$1243.46</b>	665-090508MJ-200	<b>\$1530.01</b>	104
8 x 4	9.20-9.60	664-094504MJ-000	<b>\$898.47</b>	665-094504MJ-000	<b>\$1064.95</b>	70
8 x 6		664-094506MJ-000	<b>\$989.39</b>	665-094506MJ-000	<b>\$1199.86</b>	81
8 x 8		664-094508MJ-200	<b>\$1243.46</b>	665-094508MJ-200	<b>\$1530.01</b>	104
8 x 4	9..60-10.00	664-096504MJ-000	<b>\$898.47</b>	665-096504MJ-000	<b>\$1064.95</b>	70
8 x 6		664-096506MJ-000	<b>\$989.39</b>	665-096506MJ-000	<b>\$1199.86</b>	81
8 x 8		664-096508MJ-200	<b>\$1243.46</b>	665-096508MJ-200	<b>\$1530.01</b>	104
10 x 4	9.90-10.30	664-100004MJ-000	<b>\$941.77</b>	665-100004MJ-000	<b>\$1224.07</b>	67
10 x 6		664-100006MJ-000	<b>\$1030.95</b>	665-100006MJ-000	<b>\$1371.18</b>	74
10 x 8		664-100008MJ-000	<b>\$1253.85</b>	665-100008MJ-000	<b>\$1666.84</b>	99
10 x 4	10.73-11.13	664-107504MJ-000	<b>\$941.77</b>	665-107504MJ-000	<b>\$1224.07</b>	67
10 x 6		664-107506MJ-000	<b>\$1030.95</b>	665-107506MJ-000	<b>\$1371.18</b>	74
10 x 8		664-107508MJ-000	<b>\$1253.85</b>	665-107508MJ-000	<b>\$1666.84</b>	99
10 x 10		664-107510MJ-200	<b>\$2041.65</b>	665-107510MJ-200	<b>\$2485.25</b>	107
10 x 4	11.05-11.45	664-111004MJ-000	<b>\$941.77</b>	665-111004MJ-000	<b>\$1224.07</b>	67
10 x 6		664-111006MJ-000	<b>\$1030.95</b>	665-111006MJ-000	<b>\$1371.18</b>	74
10 x 8		664-111008MJ-000	<b>\$1253.85</b>	665-111008MJ-000	<b>\$1666.84</b>	99
10 x 10		664-111010MJ-200	<b>\$2041.65</b>	665-111010MJ-200	<b>\$2485.25</b>	107
10 x 4	11.70-12.10	664-117504MJ-000	<b>\$941.77</b>	665-117504MJ-000	<b>\$1224.07</b>	67
10 x 6		664-117506MJ-000	<b>\$1030.95</b>	665-117506MJ-000	<b>\$1371.18</b>	74
10 x 8		664-117508MJ-000	<b>\$1253.85</b>	665-117508MJ-000	<b>\$1666.84</b>	99
10 x 10		664-117510MJ-200	<b>\$2041.65</b>	665-117510MJ-200	<b>\$2485.25</b>	107

Larger size tapping sleeves available.



## 664 & 665 Stainless Steel Tapping Sleeves With MJ Outlet Size-on Size and Reducing with Removable Bolts & Nuts

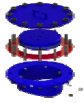
Nominal Size Pipe x Fig. Outlet Inches	O.D. Range Inches	Carbon Steel Flexi-Coat® Epoxy Coated Flange		304 Stainless Steel Flange		Approx. Weight lbs.
		Catalog Number	List Price	Catalog Number	List Price	
10 x 4 10 x 6 10 x 8 10 x 10	12.00-12.40	664-120004MJ-000	\$941.77	665-120004MJ-000	\$1,224.07	67
		664-120006MJ-000	\$1030.95	665-120006MJ-000	\$1,371.18	74
		664-120008MJ-000	\$1253.85	665-120008MJ-000	\$1,666.84	99
		664-120010MJ-200	\$2041.65	665-120010MJ-200	\$2,485.25	107
12 x 4 12 x 6 12 x 8 12 x 10 12 x 12	12.50-12.90	664-127504MJ-000	\$1004.10	665-127504MJ-000	\$1,358.77	71
		664-127506MJ-000	\$1124.46	665-127506MJ-000	\$1,550.58	78
		664-127508MJ-000	\$1355.22	665-127508MJ-000	\$1,941.69	106
		664-127510MJ-000	\$2123.64	665-127510MJ-000	\$2,438.94	113
		664-127512MJ-200	\$2323.63	665-127512MJ-200	\$2,828.50	151
12 x 4 12 x 6 12 x 8 12 x 10 12 x 12	13.16-13.56	664-132004MJ-000	\$1004.10	665-132004MJ-000	\$1,358.77	71
		664-132006MJ-000	\$1124.46	665-132006MJ-000	\$1,550.58	78
		664-132008MJ-000	\$1343.77	665-132008MJ-000	\$1,941.69	106
		664-132010MJ-000	\$2123.64	665-132010MJ-000	\$2,438.94	113
		664-132012MJ-200	\$2323.63	665-132012MJ-200	\$2,828.50	151
12 x 4 12 x 6 12 x 8 12 x 10 12 x 12	13.60-14.09	664-138204MJ-000	\$1004.10	665-138204MJ-000	\$1,358.78	71
		664-138206MJ-000	\$1124.46	665-138206MJ-000	\$1,550.58	78
		664-138208MJ-000	\$1343.77	665-138208MJ-000	\$1,941.69	106
		664-138210MJ-000	\$2123.64	665-138210MJ-000	\$2,438.94	113
		664-138212MJ-200	\$2323.63	665-138212MJ-200	\$2,828.50	151
12 x 4 12 x 6 12 x 8 12 x 10 12 x 12	14.10-14.58	664-142504MJ-000	\$1004.10	665-142504MJ-000	\$1,358.77	71
		664-142506MJ-000	\$1124.46	665-142506MJ-000	\$1,550.58	78
		664-142508MJ-000	\$1343.77	665-142508MJ-000	\$1,941.69	106
		664-142510MJ-000	\$2123.64	665-142510MJ-000	\$2,438.94	113
		664-142512MJ-200	\$2323.63	665-142512MJ-200	\$2,828.50	151
14 x 4 14 x 6 14 x 8 14 x 10 14 x 12	15.30-15.80	664-153004MJ-000	\$1496.53	665-153004MJ-000	\$1,704.80	69
		664-153006MJ-000	\$1600.47	665-153006MJ-000	\$1,884.59	76
		664-153008MJ-000	\$2079.03	665-153008MJ-000	\$2,355.53	101
		664-153010MJ-000	\$2760.67	665-153010MJ-000	\$2,888.78	125
		664-153012MJ-000	\$3045.49	665-153012MJ-000	\$3,175.91	141
14 x 4 14 x 6 14 x 8 14 x 10 14 x 12	15.80-16.30	664-160004MJ-000	\$1496.53	665-160004MJ-000	\$1,704.80	70
		664-160006MJ-000	\$1600.47	665-160006MJ-000	\$1,884.59	77
		664-160008MJ-000	\$2079.03	665-160008MJ-000	\$2,355.53	102
		664-160010MJ-000	\$2760.67	665-160010MJ-000	\$2,888.78	127
		664-160012MJ-000	\$3045.49	665-160012MJ-000	\$3,175.91	143
14 x 4 14 x 6 14 x 8 14 x 10 14 x 12	16.40-16.80	664-164004MJ-000	\$1496.53	665-164004MJ-000	\$1,704.80	72
		664-164006MJ-000	\$1600.47	665-164006MJ-000	\$1,884.59	78
		664-164008MJ-000	\$2079.03	665-164008MJ-000	\$2,355.53	104
		664-164010MJ-000	\$2760.67	665-164010MJ-000	\$2,888.78	128
		664-164012MJ-000	\$3045.49	665-164012MJ-000	\$3,175.91	145
16 x 4 16 x 6 16 x 8 16 x 10 16 x 12	17.40-17.80	664-174004MJ-000	\$1839.68	665-174004MJ-000	\$2,103.34	74
		664-174006MJ-000	\$1946.28	665-174006MJ-000	\$2,427.32	80
		664-174008MJ-000	\$2261.88	665-174008MJ-000	\$2,653.91	106
		664-174010MJ-000	\$3100.38	665-174010MJ-000	\$3,228.49	132
		664-174012MJ-000	\$3298.90	665-174012MJ-000	\$3,625.80	148



## 664 & 665 Stainless Steel Tapping Sleeves With MJ Outlet Size-on Size and Reducing with Removable Bolts & Nuts

Nominal Size Pipe x Fig. Outlet Inches	O.D. Range Inches	Carbon Steel Flexi-Coat® Epoxy Coated Flange		304 Stainless Steel Flange		Approx. Weight lbs.
		Catalog Number	List Price	Catalog Number	List Price	
16-18 x 4	18.60-19.20	664-187004MJ-000	\$1,839.68	665-187004MJ-000	\$2,103.34	76
16-18 x 6		664-187006MJ-000	\$1,946.28	665-187006MJ-000	\$2,427.32	82
16-18 x 8		664-187008MJ-000	\$2,261.88	665-187008MJ-000	\$2,653.91	109
16-18 x 10		664-187010MJ-000	\$3,100.38	665-187010MJ-000	\$3,228.49	135
16-18 x 12		664-187012MJ-000	\$3,298.90	665-187012MJ-000	\$3,625.80	151
18-20 x 4	19.50-20.10	664-195004MJ-000	\$1,883.69	665-195004MJ-000	\$2,239.26	77
18-20 x 6		664-195006MJ-000	\$1,988.93	665-195006MJ-000	\$2,597.73	84
18-20 x 8		664-195008MJ-000	\$2,280.57	665-195008MJ-000	\$2,949.23	111
18-20 x 10		664-195010MJ-000	\$3,187.78	665-195010MJ-000	\$3,452.16	138
18-20 x 12		664-195012MJ-000	\$3,386.07	665-195012MJ-000	\$4,135.56	154
18-20 x 4	20.90-21.59	664-209004MJ-000	\$1,883.69	665-209004MJ-000	\$2,239.26	99
18-20 x 6		664-209006MJ-000	\$1,988.93	665-209006MJ-000	\$2,712.59	105
18-20 x 8		664-209008MJ-000	\$2,280.57	665-209008MJ-000	\$2,949.23	136
18-20 x 10		664-209010MJ-000	\$3,187.78	665-209010MJ-000	\$3,452.16	146
18-20 x 12		664-209012MJ-000	\$3,386.07	665-209012MJ-000	\$4,135.56	161
20 x 4	21.60-22.40	664-216004MJ-000	\$2,185.29	665-216004MJ-000	\$2,325.05	100
20 x 6		664-216006MJ-000	\$2,292.56	665-216006MJ-000	\$2,797.22	107
20 x 8		664-216008MJ-000	\$2,753.09	665-216008MJ-000	\$2,988.84	138
20 x 10		664-216010MJ-000	\$3,674.37	665-216010MJ-000	\$3,938.75	148
20 x 12		664-216012MJ-000	\$3,872.88	665-216012MJ-000	\$4,473.01	163
20-24 x 4	23.50-24.20	664-235004MJ-000	\$2,299.93	665-235004MJ-000	\$2,540.11	105
20-24 x 6		664-235006MJ-000	\$2,406.34	665-235006MJ-000	\$2,669.51	111
20-24 x 8		664-235008MJ-000	\$2,880.41	665-235008MJ-000	\$3,099.17	144
20-24 x 10		664-235010MJ-000	\$3,812.42	665-235010MJ-000	\$3,993.62	156
20-24 x 12		664-235012MJ-000	\$4,010.84	665-235012MJ-000	\$4,268.51	169
24 x 4	25.80-26.60	664-258004MJ-000	\$2,499.83	665-258004MJ-000	\$2,667.81	111
24 x 6		664-258006MJ-000	\$2,613.07	665-258006MJ-000	\$2,749.57	117
24 x 8		664-258008MJ-000	\$2,968.00	665-258008MJ-000	\$3,099.17	151
24 x 10		664-258010MJ-000	\$4,270.20	665-258010MJ-000	\$3,993.62	161
24 x 12		664-258012MJ-000	\$4,356.75	665-258012MJ-000	\$4,589.91	177
24 x 4	28.30-29.00	664-283004MJ-000	\$2,499.83	665-283004MJ-000	\$2,667.81	117
24 x 6		664-283006MJ-000	\$2,613.07	665-283006MJ-000	\$2,749.57	123
24 x 8		664-283008MJ-000	\$2,968.00	665-283008MJ-000	\$3,099.17	159
24 x 10		664-283010MJ-000	\$4,270.20	665-283010MJ-000	\$3,993.62	169
24 x 12		664-283012MJ-000	\$4,356.75	665-283012MJ-000	\$4,589.91	184

Larger size tapping sleeves available.



## 68X Line Stop Outlets for Tapping Sleeves For Line Stopping & Plugging Size on Size

Nominal Size Pipe x Flg. Outlet Inches	O.D. Range Inches	Epoxy Coated, Carbon Steel, Carbon Plate, Alloy Bolts & Nuts		Epoxy Coated, Carbon Steel, Carbon Plate, 304 Stainless Steel Bolts & Nuts		Appro x Weigh t lbs.
		Catalog Number	List Price 110	Catalog Number	List Price 212	
4 x 4	4.74-4.86	68X-04800400-110	P.O.A.	68X-04800400-212	P.O.A.	50
4 x 4	5.10-5.35	68X-05100400-110	P.O.A.	68X-05100400-212	P.O.A.	50
6 x 6	6.57-6.73	68X-06630600-110	P.O.A.	68X-06630600-212	P.O.A.	115
6 x 6	6.84-7.10	68X-06900600-110	P.O.A.	68X-06900600-212	P.O.A.	115
6 x 6	7.00-7.20	68X-07100600-110	P.O.A.	68X-07100600-212	P.O.A.	115
8 x 8	8.36-8.75	68X-08630800-110	P.O.A.	68X-08630800-212	P.O.A.	175
8 x 8	8.98-9.30	68X-09050800-110	P.O.A.	68X-09050800-212	P.O.A.	175
8 x 8	9.40-9.60	68X-09400800-110	P.O.A.	68X-09400800-212	P.O.A.	175
10 x 10	10.45-10.88	68X-10751000-110	P.O.A.	68X-10751000-212	P.O.A.	220
10 x 10	11.03-11.30	68X-11101000-110	P.O.A.	68X-11101000-212	P.O.A.	220
10 x 10	11.36-11.80	68X-11401000-110	P.O.A.	68X-11401000-212	P.O.A.	220
12 x 12	12.63-12.88	68X-12751200-110	P.O.A.	68X-12751200-212	P.O.A.	300
12 x 12	13.12-13.37	68X-13201200-110	P.O.A.	68X-13201200-212	P.O.A.	300
12 x 12	14.20-14.40	68X-14251200-110	P.O.A.	68X-14251200-212	P.O.A.	300

12"-24" Pin Style Line Stop available in 687 and 689 series.

Line Stop Model	Tapping
682	662
683	663
684	664
685	665
687	622
689	625

### Non Returnable Specials



**912 Omni Flanged Coupling Adapters**  
**Ductile (Omni Compatible Gasket) Electro-Galvanized Bolts & Nuts**  
**(Uses Studs Instead of Cross Bolts)**

Nominal Size Inches	O.D. Range Inches	Catalog Number	List Price	Qty.	Optional Anchor Studs		Approx. Weight lbs.
					Catalog Number with Anchor Studs	List Price	
3	2.85-3.13	912-90031303-000	<b>\$251.33</b>	2	-	-	17
	3.44-3.62	912-90035003-000	<b>251.33</b>	2	912-90035003-100	<b>\$343.97</b>	17
	3.80-3.96	912-90039603-000	<b>251.33</b>	2	912-90039603-100	<b>343.97</b>	17
	3.97-4.14	912-90041403-000	<b>251.33</b>	2	912-90041403-100	<b>343.97</b>	17
4	4.00-4.15	912-90041504-000	<b>313.79</b>	2	-	-	23
	4.22-4.50	912-90045004-000	<b>313.79</b>	2	912-90045004-100	<b>404.31</b>	23
	4.46-4.86	912-90048604-000	<b>313.79</b>	2	912-90048604-100	<b>404.31</b>	23
	4.80-5.10	912-90051004-000	<b>313.79</b>	2	912-90051004-100	<b>404.31</b>	23
6	6.00-6.15	912-90061506-000	<b>400.69</b>	2	-	-	33
	6.28-6.63	912-90066306-000	<b>400.69</b>	2	912-90066306-100	<b>500.91</b>	33
	6.56-6.96	912-90069606-000	<b>400.69</b>	2	912-90069606-100	<b>500.91</b>	33
	6.90-7.20	912-90072006-000	<b>400.69</b>	2	912-90072006-100	<b>500.91</b>	33
8	8	912-90080008-000	<b>550.01</b>	2	-	-	46
	8.40-8.63	912-90086308-000	<b>550.01</b>	2	912-90086308-100	<b>642.67</b>	46
	8.54-9.11	912-90091108-000	<b>550.01</b>	2	912-90091108-100	<b>642.67</b>	46
	9.05-9.40	912-90094008-000	<b>550.01</b>	2	912-90094008-100	<b>642.67</b>	46
10	10	912-90100010-000	<b>995.70</b>	-	-	-	67
	10.50-10.75	912-90107510-000	<b>995.70</b>	4	912-90107510-200	<b>1,119.42</b>	67
	11.10-11.60	912-90116010-000	<b>995.70</b>	4	912-90116010-200	<b>1,119.42</b>	67
	11.65-11.88	912-90118810-000	<b>995.70</b>	-	-	-	67
	11.90-11.95	912-90119510-000	<b>995.70</b>	-	-	-	67
12	12	912-90120012-000	<b>1,107.34</b>	-	-	-	90
	12.50-12.75	912-90127512-000	<b>1,107.34</b>	6	912-90127512-300	<b>1,291.37</b>	90
	13.20-13.50	912-90135012-000	<b>1,107.34</b>	6	912-90135012-300	<b>1,291.37</b>	90
	13.51-13.75	912-90137512-000	<b>1,107.34</b>	-	-	-	90
	13.90-14.20	912-90142012-000	<b>1,107.34</b>	-	-	-	90

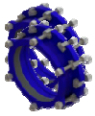
\*This is the thrust rating of the studs, not the FCA itself. Stainless Steel Anchor Studs priced on application. Flanged Coupling Adapters are shipped without anchor studs, unless they are specifically requested.



**912 Omni Flanged Coupling Adapters**  
**Ductile, Stainless Steel Bolts & Nuts**  
**(Uses Studs instead of Cross Bolts)**

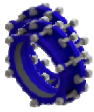
Nominal Size Inches	O.D. Range Inches	304 Stainless Steel		316 Stainless Steel		Approx. Weight lbs.
		Catalog Number	List Price	Catalog Number	List Price	
3	2.85-3.13	912-90031303-031	<b>\$348.60</b>	912-90031303-043	<b>\$366.64</b>	17
	3.44-3.62	912-90035003-031	<b>348.60</b>	912-90035003-043	<b>\$366.64</b>	17
	3.80-3.96	912-90039603-031	<b>348.60</b>	912-90039603-043	<b>\$366.64</b>	17
	3.97-4.14	912-90041403-031	<b>348.60</b>	912-90041403-043	<b>\$366.64</b>	17
4	4.00-4.15	912-90041504-031	<b>509.79</b>	912-90041504-043	<b>\$534.59</b>	23
	4.22-4.50	912-90045004-031	<b>509.79</b>	912-90045004-043	<b>\$534.59</b>	23
	4.46-4.86	912-90048604-031	<b>509.79</b>	912-90048604-043	<b>\$534.59</b>	23
	4.80-5.10	912-90051004-031	<b>509.79</b>	912-90051004-043	<b>\$534.59</b>	23
6	6.00-6.15	912-90061506-031	<b>646.05</b>	912-90061506-043	<b>\$693.32</b>	33
	6.28-6.63	912-90066306-031	<b>646.05</b>	912-90066306-043	<b>\$693.32</b>	33
	6.56-6.96	912-90069606-031	<b>646.05</b>	912-90069606-043	<b>\$693.32</b>	33
	6.90-7.20	912-90072006-031	<b>646.05</b>	912-90072006-043	<b>\$693.32</b>	33
8	8.00	912-90080008-031	<b>807.11</b>	912-90080008-043	<b>\$842.63</b>	46
	8.40-8.63	912-90086308-031	<b>807.11</b>	912-90086308-043	<b>\$842.63</b>	46
	8.54-9.11	912-90091108-031	<b>807.11</b>	912-90091108-043	<b>\$842.63</b>	46
	9.05-9.40	912-90094008-031	<b>807.11</b>	912-90094008-043	<b>\$842.63</b>	46
10	10.00	912-90100010-031	<b>1,224.46</b>	912-90100010-043	<b>\$1,379.40</b>	67
	10.50-10.75	912-90107510-031	<b>1,224.46</b>	912-90107510-043	<b>\$1,379.40</b>	67
	11.10-11.60	912-90116010-031	<b>1,224.46</b>	912-90116010-043	<b>\$1,379.40</b>	67
	11.65-11.88	912-90118810-031	<b>1,224.46</b>	912-90118810-043	<b>\$1,379.40</b>	67
	11.90-11.95	912-90119510-031	<b>1,224.46</b>	912-90119510-043	<b>\$1,379.40</b>	67
12	12.00	912-90120012-031	<b>1,659.40</b>	912-90120012-043	<b>\$1,874.73</b>	90
	12.50-12.75	912-90127512-031	<b>1,659.40</b>	912-90127512-043	<b>\$1,874.73</b>	90
	13.20-13.50	912-90135012-031	<b>1,659.40</b>	912-90135012-043	<b>\$1,874.73</b>	90
	13.51-13.75	912-90137512-031	<b>1,659.40</b>	912-90137512-043	<b>\$1,874.73</b>	90
	13.90-14.20	912-90142012-031	<b>1,659.40</b>	912-90142012-043	<b>\$1,874.73</b>	90

\*This is the thrust rating of the studs, not the FCA itself. Stainless Steel Anchor Studs priced on application. Flanged Coupling Adapters are shipped without anchor studs, unless they are specifically requested.



## 912 Omni Flanged Coupling Adapters Component Selection Chart

Nominal Size Inches	O.D. Range Inches	Flexi-Coat Epoxy		"O" Ring		Cplg. Gasket Number	Gasket List Price
		Body Number	List Price	Flange Gasket Number	List Price		
3	2.85-3.13	60265-045	<b>\$122.16</b>	30019-069	<b>\$12.83</b>	34610-069	<b>\$16.71</b>
	3.44-3.62	60265-045	<b>122.16</b>	30019-069	<b>12.83</b>	33829-069	<b>16.71</b>
	3.80-3.96	60265-045	<b>122.16</b>	30019-069	<b>12.83</b>	33830-069	<b>16.71</b>
	3.97-4.14	60265-045	<b>122.16</b>	30019-069	<b>12.83</b>	33831-069	<b>16.71</b>
4	4.00-4.15	60266-045	<b>152.46</b>	30023-069	<b>10.27</b>	33809-069	<b>24.09</b>
	4.22-4.50	60266-045	<b>152.46</b>	30023-069	<b>10.27</b>	33810-069	<b>24.09</b>
	4.46-4.86	60266-045	<b>152.46</b>	30023-069	<b>10.27</b>	34578-069	<b>24.09</b>
	4.80-5.10	60266-045	<b>152.46</b>	30023-069	<b>10.27</b>	33811-069	<b>24.09</b>
6	6.00-6.15	60267-045	<b>187.24</b>	30024-069	<b>11.38</b>	33801-069	<b>31.48</b>
	6.28-6.63	60267-045	<b>187.24</b>	30024-069	<b>11.38</b>	33802-069	<b>31.48</b>
	6.56-6.96	60267-045	<b>187.24</b>	30024-069	<b>11.38</b>	34579-069	<b>31.48</b>
	6.90-7.20	60267-045	<b>187.24</b>	30024-069	<b>11.38</b>	33803-069	<b>31.48</b>
8	8.00-8.16	60268-045	<b>318.58</b>	30025-069	<b>16.51</b>	33805-069	<b>33.69</b>
	8.40-8.63	60268-045	<b>318.58</b>	30025-069	<b>16.51</b>	33806-069	<b>33.69</b>
	8.54-9.11	60268-045	<b>318.58</b>	30025-069	<b>16.51</b>	34580-069	<b>33.69</b>
	9.05-9.40	60268-045	<b>318.58</b>	30025-069	<b>16.51</b>	33846-069	<b>33.69</b>
10	10.00	60269-045	<b>638.57</b>	30026-069	<b>18.80</b>	33860-069	<b>46.17</b>
	10.50-10.75	60269-045	<b>638.57</b>	30026-069	<b>18.80</b>	33813-069	<b>46.17</b>
	11.10-11.60	60269-045	<b>638.57</b>	30026-069	<b>18.80</b>	33814-069	<b>46.17</b>
	11.65-11.88	60269-045	<b>638.57</b>	30026-069	<b>18.80</b>	33815-069	<b>46.17</b>
	11.90-11.95	60269-045	<b>638.57</b>	30026-069	<b>18.80</b>	33816-069	<b>46.17</b>
12	12.00	60270-045	<b>693.48</b>	30027-069	<b>20.81</b>	33859-069	<b>51.49</b>
	12.50-12.75	60270-045	<b>693.48</b>	30027-069	<b>20.81</b>	33817-069	<b>51.49</b>
	13.20-13.50	60270-045	<b>693.48</b>	30027-069	<b>20.81</b>	33820-069	<b>51.49</b>
	13.51-13.75	60270-045	<b>693.48</b>	30027-069	<b>20.81</b>	33821-069	<b>51.49</b>
	13.90-14.20	60270-045	<b>693.48</b>	30027-069	<b>20.81</b>	33818-069	<b>51.49</b>



## 912 Omni Flanged Coupling Adapters Component Selection Chart

Nominal Size Inches	O.D. Range Inches	Flexi-Coat Epoxy Follower Flange		Bolt or Stud Part Number (If Required)	Electro- Galvanized List Price -021	304 Stainless Steel List Price -002
		Part Number	List Price			
3	2.85-3.13	22137-045	<b>\$22.13</b>	(4) 90532 5/8 x 7	<b>\$19.30</b>	<b>\$33.55</b>
	3.44-3.62	22137-045	<b>22.13</b>		<b>19.30</b>	<b>33.55</b>
	3.80-3.96	22138-045	<b>22.13</b>	(4) 90532 5/8 x 7	<b>19.30</b>	<b>33.55</b>
	3.97-4.14	22138-045	<b>22.13</b>		<b>19.30</b>	<b>33.55</b>
4	4.00-4.15	22139-045	<b>22.35</b>	(4) 90364 5/8 x 3	<b>5.67</b>	<b>12.78</b>
	4.22-4.50	22139-045	<b>22.35</b>		<b>5.67</b>	<b>12.78</b>
	4.46-4.86	22575-045	<b>22.35</b>	(4) 90532 5/8 x 7	<b>19.30</b>	<b>33.55</b>
	4.80-5.10	22140-045	<b>22.35</b>		<b>19.30</b>	<b>33.55</b>
6	6.00-6.15	22576-045	<b>44.08</b>	(4) 90536 3/4 x 3 1/4	<b>6.59</b>	<b>15.40</b>
	6.28-6.63	22576-045	<b>44.08</b>		<b>6.59</b>	<b>15.40</b>
	6.56-6.96	22576-045	<b>44.08</b>	(4) 90533 3/4 x 8	<b>23.78</b>	<b>45.58</b>
	6.90-7.20	22142-045	<b>44.08</b>		<b>23.78</b>	<b>45.58</b>
8	8.00	22577-045	<b>53.40</b>	(4) 90536 3/4 x 3 1/4	<b>6.59</b>	<b>15.40</b>
	8.40-8.63	22577-045	<b>53.40</b>		<b>6.59</b>	<b>15.40</b>
	8.54-9.11	22577-045	<b>53.40</b>	(4) 90533 3/4 x 8	<b>23.78</b>	<b>45.58</b>
	9.05-9.40	22145-045	<b>53.40</b>		<b>23.78</b>	<b>45.58</b>
10	10.00	22147-045	<b>73.78</b>	(6) 90537 7/8 x 3 3/4	<b>8.01</b>	<b>22.20</b>
	10.50-10.75	22147-045	<b>73.78</b>		<b>8.01</b>	<b>22.20</b>
	11.10-11.60	22148-045	<b>73.78</b>		<b>8.01</b>	<b>22.20</b>
	11.65-11.88	22149-045	<b>73.78</b>	(6) 90534 7/8 x98	<b>25.70</b>	<b>55.17</b>
	11.90-11.95	22149-045	<b>73.78</b>		<b>25.70</b>	<b>55.17</b>
12	12.00	22150-045	<b>122.96</b>	(6) 90537 7/8 x 3 3/4	<b>8.01</b>	<b>22.20</b>
	12.50-12.75	22150-045	<b>122.96</b>		<b>8.01</b>	<b>22.20</b>
	13.20-13.50	22151-045	<b>122.96</b>		<b>8.01</b>	<b>22.20</b>
	13.51-13.75	22151-045	<b>122.96</b>	(6) 90534 7/8 x 9	<b>25.70</b>	<b>55.17</b>
	13.90-14.20	22152-045	<b>122.96</b>		<b>25.70</b>	<b>55.17</b>

Nominal Size Inches	Size Inches	Part Number	+ Nut-001 Electro- Galvanized List Price	+ Nut-005 Alloy List Price	+ Nut-202 304 Stainless Steel List Price
3-4	5/8	100025	<b>\$1.64</b>	<b>\$1.27</b>	<b>\$7.58</b>
6-8	3/4	100032	<b>2.16</b>	<b>1.80</b>	<b>14.25</b>
10-12	7/8	100072	<b>2.64</b>	<b>4.68</b>	<b>21.43</b>

+ 3 Nuts Required for studs.

+ 1 Nut Required for flange bolts.



## 913 Flanged Coupling Adapters Steel with Alloy, 304 and 316 Stainless Steel Bolts & Nuts

Nom. Size In.	O.D. Range Inches	Alloy Bolts & Nuts		304 Stainless Steel B/N		316 Stainless Steel B/N		Apx. Wgt. Lbs.	Flange Size Inches
		Catalog Number	List Price	Catalog Number	List Price	Catalog Number	List Price		
3	3.44-3.56	913-03500300-003	<b>\$437.62</b>	913-03500300-031	<b>\$486.54</b>	913-03500300-043	<b>\$524.02</b>	17	3
4	3.94-4.06	913-04000400-003	<b>472.03</b>	913-04000400-031	<b>537.23</b>	913-04000400-043	<b>587.22</b>	24	4
	4.44-4.56	913-04500400-003	<b>505.91</b>	913-04500400-031	<b>571.13</b>	913-04500400-043	<b>621.12</b>	24	4
	4.74-4.86	913-04800400-003	<b>533.85</b>	913-04800400-031	<b>587.01</b>	913-04800400-043	<b>649.06</b>	24	4
5	5.49-5.62	913-05560500-003	<b>589.69</b>	913-05560500-031	<b>654.92</b>	913-05560500-043	<b>704.90</b>	27	5
6	5.94-6.06	913-06000600-003	<b>623.84</b>	913-06000600-031	<b>721.67</b>	913-06000600-043	<b>796.65</b>	36	6
	6.57-6.69	913-06630600-003	<b>667.33</b>	913-06630600-031	<b>765.15</b>	913-06630600-043	<b>840.15</b>	38	6
	6.84-6.96	913-06900600-003	<b>689.00</b>	913-06900600-031	<b>786.82</b>	913-06900600-043	<b>861.80</b>	37	6
8	7.94-8.06	913-08000800-003	<b>744.89</b>	913-08000800-031	<b>842.71</b>	913-08000800-043	<b>917.69</b>	49	8
	8.57-8.70	913-08630800-003	<b>828.68</b>	913-08630800-031	<b>926.51</b>	913-08630800-043	<b>1001.50</b>	49	8
	8.99-9.10	913-09050800-003	<b>853.51</b>	913-09050800-031	<b>951.32</b>	913-09050800-043	<b>1026.30</b>	52	8
10	9.94-10.06	913-10001000-003	<b>968.35</b>	913-10001000-031	<b>1,099.01</b>	913-10001000-043	<b>1,198.76</b>	60	10
	10.69-10.81	913-10751000-003	<b>1039.73</b>	913-10751000-031	<b>1,170.17</b>	913-10751000-043	<b>1,270.14</b>	61	10
	11.00-11.25	913-11101000-003	<b>1,064.57</b>	913-11101000-031	<b>1,195.02</b>	913-11101000-043	<b>1,294.99</b>	62	10
12	11.94-12.06	913-12001200-003	<b>1,151.45</b>	913-12001200-031	<b>1,281.86</b>	913-12001200-043	<b>1,381.86</b>	74	12
	12.63-12.84	913-12751200-003	<b>1,222.85</b>	913-12751200-031	<b>1,353.28</b>	913-12751200-043	<b>1,453.26</b>	78	12
	13.08-13.29	913-13201200-003	<b>1,257.03</b>	913-13201200-031	<b>1,398.59</b>	913-13201200-043	<b>1,487.43</b>	82	12
14	13.88-14.09	913-14001400-003	<b>1,430.84</b>	913-14001400-031	<b>1,561.26</b>	913-14001400-043	<b>1,603.63</b>	112	14
	15.18-15.39	913-15301400-003	<b>1,486.65</b>	913-15301400-031	<b>1,617.09</b>	913-15301400-043	<b>1,659.47</b>	116	14
	15.51-15.74	913-15651400-003	<b>1,518.38</b>	913-15651400-031	<b>1,648.83</b>	913-15651400-043	<b>1,691.19</b>	120	14
16	15.88-16.09	913-16001600-003	<b>1,601.55</b>	913-16001600-031	<b>1,731.98</b>	913-16001600-043	<b>1,831.97</b>	130	16
	17.28-17.49	913-17401600-003	<b>1,800.17</b>	913-17401600-031	<b>1,930.59</b>	913-17401600-043	<b>2,030.58</b>	135	16
	17.68-17.89	913-17801600-003	<b>1,846.71</b>	913-17801600-031	<b>1,977.15</b>	913-17801600-043	<b>2,077.12</b>	139	16
18	17.88-18.09	913-18001800-003	<b>1,902.59</b>	913-18001800-031	<b>2,065.60</b>	913-18001800-043	<b>2,132.99</b>	140	18
	19.38-19.59	913-19501800-003	<b>2,163.25</b>	913-19501800-031	<b>2,326.28</b>	913-19501800-043	<b>2,393.65</b>	146	18
	19.80-20.01	913-19921800-003	<b>2,231.54</b>	913-19921800-031	<b>2,394.59</b>	913-19921800-043	<b>2,519.57</b>	152	18
20	19.88-20.09	913-20002000-003	<b>2,278.12</b>	913-20002000-031	<b>2,441.16</b>	913-20002000-043	<b>2,566.13</b>	160	20
	21.48-21.69	913-21602000-003	<b>2,597.75</b>	913-21602000-031	<b>2,760.80</b>	913-21602000-043	<b>2,885.77</b>	155	20
	21.94-22.15	913-22062000-003	<b>2,644.38</b>	913-22062000-031	<b>2,807.43</b>	913-22062000-043	<b>2,932.40</b>	154	20
24	23.88-24.09	913-24002400-003	<b>2,799.54</b>	913-24002400-031	<b>2,995.20</b>	913-24002400-043	<b>3,087.57</b>	207	24
	25.68-25.89	913-25802400-003	<b>2,998.19</b>	913-25802400-031	<b>3,193.84</b>	913-25802400-043	<b>3,343.81</b>	207	24
	26.20-26.41	913-26322400-003	<b>3,150.24</b>	913-26322400-031	<b>3,281.53</b>	913-26322400-043	<b>3,495.85</b>	197	24



## 913 Flanged Coupling Adapters Steel with Alloy, 304 and 316 Stainless Steel Bolts & Nuts

Nominal Size In.	O.D. Range Inches	Qty.	*P.S.I. Rating	Catalog Number with Anchor Studs & Alloy Hardware	List Price	Catalog Number with Anchor Studs & 304 S.S. Hardware	List Price	Catalog Number with Anchor Studs & 316 S.S. Hardware	List Price
3	3.44-3.56	2	275	913-03500300-103	<b>\$602.16</b>	913-03500300-131	<b>\$651.08</b>	913-03500300-143	<b>688.57</b>
4	3.94-4.06	2	275	913-04000400-103	<b>636.30</b>	913-04000400-131	<b>701.51</b>	913-04000400-143	<b>751.50</b>
	4.44-4.56	2	275	913-04500400-103	<b>673.50</b>	913-04500400-131	<b>738.72</b>	913-04500400-143	<b>788.70</b>
	4.74-4.86	2	275	913-04800400-103	<b>698.33</b>	913-04800400-131	<b>751.50</b>	913-04800400-143	<b>813.54</b>
5	5.49-5.62	2	250	913-05560500-103	<b>751.15</b>	913-05560500-131	<b>816.36</b>	913-05560500-143	<b>866.34</b>
6	5.94-6.06	2	210	913-06000600-103	<b>785.23</b>	913-06000600-131	<b>883.06</b>	913-06000600-143	<b>958.04</b>
	6.57-6.69	2	175	913-06630600-103	<b>828.68</b>	913-06630600-131	<b>890.86</b>	913-06630600-143	<b>1001.50</b>
	6.84-6.96	2	160	913-06900600-103	<b>847.33</b>	913-06900600-131	<b>910.10</b>	913-06900600-143	<b>1020.15</b>
8	7.94-8.06	4	240	913-08000800-203	<b>1,120.43</b>	913-08000800-231	<b>1,105.24</b>	913-08000800-243	<b>1,293.25</b>
	8.57-8.70	4	206	913-08630800-203	<b>1,163.86</b>	913-08630800-231	<b>1,213.17</b>	913-08630800-243	<b>1,336.68</b>
	8.99-9.10	4	187	913-09050800-203	<b>1,191.81</b>	913-09050800-231	<b>1,570.78</b>	913-09050800-243	<b>1,364.63</b>
10	9.94-10.06	4	153	913-10001000-203	<b>1,343.90</b>	913-10001000-231	<b>1,417.85</b>	913-10001000-243	<b>1,574.31</b>
	10.69-10.81	6	198	913-10751000-303	<b>1,604.64</b>	913-10751000-331	<b>1,668.35</b>	913-10751000-343	<b>1,835.05</b>
	11.00-11.25	7	186	913-11101000-303	<b>1,629.42</b>	913-11101000-331	<b>1,692.17</b>	913-11101000-343	<b>1,932.00</b>
12	11.94-12.06	6	159	913-12001200-303	<b>1,713.27</b>	913-12001200-331	<b>1,772.66</b>	913-12001200-343	<b>1,943.69</b>
	12.63-12.84	8	188	913-12751200-403	<b>1,973.95</b>	913-12751200-431	<b>2,024.00</b>	913-12751200-443	<b>2,204.36</b>
	13.08-13.29	8	175	913-13201200-403	<b>2,008.08</b>	913-13201200-431	<b>2,066.98</b>	913-13201200-443	<b>2,238.50</b>

\*This is the thrust rating of the studs, not the FCA itself. Stainless Steel Anchor Studs-Priced on application.  
Larger Sizes and O.D. Ranges not listed are available upon request. Priced on application.



## 914 Reducing Flanged Coupling Adapters Steel with Alloy Bolts & Nuts

Coupling End Only				Flange End Only			
O.D.	Catalog	List Price	Approx.	Flange Size	Catalog Code	List Price	Approx.
3.44-3.56	914-0350	P.O.A.	16	3	03	P.O.A.	12
3.90-4.06	914-0396	P.O.A.	16	4	04	P.O.A.	17
4.44-4.56	914-0450	P.O.A.	17	5	05	P.O.A.	21
4.74-4.86	914-0480	P.O.A.	18	6	06	P.O.A.	18
5.04-5.16	914-0510	P.O.A.	23	10	10	P.O.A.	27
5.49-5.62	914-0556	P.O.A.	23	12	12	P.O.A.	40
6.57-6.69	914-0663	P.O.A.	29	16	16	P.O.A.	63
6.84-6.96	914-0690	P.O.A.	29	18	18	P.O.A.	56
7.04-7.17	914-0710	P.O.A.	29	20	20	P.O.A.	78
7.94-8.06	914-0800	P.O.A.	30	22	22	P.O.A.	84
8.57-8.70	914-0863	P.O.A.	37	24	24	P.O.A.	100
8.99-9.10	914-0905	P.O.A.	38	<p style="text-align: center;"><b>How to Order</b></p> <p><b>Example:</b> You require a flanged coupling adapter to connect a 12" steel pipe to an 8" flanged fitting.</p> <p>1. Determine the Code Number: The 12"-12.75" O.D. pipe will fit the O.D. range 12.63-12.84. The code number for this O.D. range is 914- 1275.</p> <p>The 8" flanged end has the code number 08.</p> <p>Combine the two code numbers, then add 003 to the end. The catalog number 914-127508-003 represents our standard Flexi-Coat® Epoxy Coating finish, Alloy bolts and nuts and NSF Buna N gasket.</p> <p>2. Determine shipping weight: 914-1275 = 56 lbs. 08 = 26 lbs.</p> <p style="text-align: center;">-----</p> <p style="text-align: center;"><b>Total Weight = 82 lbs.</b></p> <p><i>Larger sizes and sizes to fit O.D. ranges not listed are available. Priced on application (P.O.A.).</i></p>			
9.24-9.36	914-0930	P.O.A.	39				
9.94-10.06	914-1000	P.O.A.	43				
11.04-11.16	914-1110	P.O.A.	49				
11.34-11.46	914-1140	P.O.A.	50				
12.63-12.84	914-1275	P.O.A.	56				
13.08-13.29	914-1320	P.O.A.	57				
15.18-15.39	914-1530	P.O.A.	78				
15.53-15.74	914-1565	P.O.A.	80				
17.28-17.49	914-1740	P.O.A.	91				
17.68-17.89	914-1780	P.O.A.	93				
19.38-19.59	914-1950	P.O.A.	105				
19.80-20.01	914-1992	P.O.A.	108				
21.48-21.69	914-2160	P.O.A.	119				
21.88-22.09	914-2200	P.O.A.	121				
23.88-24.09	914-2400	P.O.A.	143				
25.68-25.89	914-2580	P.O.A.	155				
32.88-30.09	914-3000	P.O.A.	190				
31.88-32.09	914-3200	P.O.A.	207				

Larger Sizes to 96" O.D. Available Upon Request. Priced on application (P.O.A.)



## 921 Top Bolt Flanged Coupling Adapters Standard

Nominal Size (IN.)	Catalog Number	Overall Range (IN.)	Lower Range (IN.)	Upper Range (IN.)	Flange Diameter (IN.)	Sleeve Length (IN.)	Laying Length (IN.)	Approx. Weight lbs.	List Price
2	921-02950200-031	2.13 - 2.95	2.13 - 2.60	2.50 - 2.95	6.00	3.50	6.81	8	<b>\$235.61</b>
3	921-04200300-031	3.10-4.20	3.10-3.56	3.70-4.20	7.50	3.50	5.38	12	<b>334.94</b>
4	921-05600400-031	4.46-5.60	4.46-5.05	5.00-5.60	9.00	3.50	5.50	17	<b>432.46</b>
6	921-07600600-031	6.56-7.60	6.56-7.05	7.00-7.60	11.00	4.50	6.56	25	<b>547.33</b>
8	921-09850800-031	8.54-9.85	8.54-9.15	9.15-9.85	13.50	4.50	6.56	30	<b>746.17</b>
10	921-11831000-031	10.64-11.83	10.64-11.18	11.13-11.83	16.00	4.50	6.56	37	<b>1,265.28</b>
12	921-13671200-031	12.62-13.67	12.62-13.06	13.10-13.67	19.00	4.50	6.69	50	<b>1,459.49</b>
14	921-16881400-031	15.00-16.88	15.00-15.94	15.94-16.88	21.00		11.25	80	<b>NA</b>
16	921-17851600-031	16.00-17.85	16.00-16.50	17.35-17.85	23.50		11.25	100	<b>NA</b>
16OS	921-19201600-031	17.15-19.20	17.15-17.95	18.45-19.20	23.50		11.25	104	<b>NA</b>
18	92121301800031	19.20-21.30	19.20-20.25	20.25-21.30	25.00		11.25	68	<b>NA</b>
20	92123352000031	21.25-23.35	21.25-22.30	22.30-23.35	27.50		11.25	126	<b>NA</b>
24	92126322400031	24.00-26.32	24.00-24.80	25.25-26.32	32.00		11.25	162	<b>NA</b>
24OS	92127322400031	25.00-27.32	25.00-25.80	26.25-27.32	32.00		11.25	172	<b>NA</b>

Note: Larger sizes coming in late 2026.

## 922 Top Bolt Flanged Coupling Adapters Extended Sleeve

Nominal Size (IN.)	Catalog Number	Overall Range (IN.)	Lower Range (IN.)	Upper Range (IN.)	Flange Diameter (IN.)	Sleeve Length (IN.)	Laying Length (IN.)	Approx. Weight lbs.	List Price
2	922-02950200-031	2.13 - 2.95	2.13 - 2.60	2.50 - 2.95	6.0	7.0	9.0	12	<b>POA</b>
3	922-04200300-031	3.10-4.20	3.10-3.56	3.70-4.20	7.5	7.0	9.0	18	<b>POA</b>
4	922-05600400-031	4.46-5.60	4.46-5.05	5.00-5.60	9.0	7.0	9.0	26	<b>POA</b>
6	922-07600600-031	6.56-7.60	6.56-7.05	7.00-7.60	11.00	9.0	12.00	35	<b>POA</b>
8	922-09850800-031	8.54-9.85	8.54-9.15	9.15-9.85	13.50	9.0	12	45	<b>POA</b>
10	922-11831000-031	10.64-11.83	10.64-11.18	11.13-11.83	16.00	9.0	12	56	<b>POA</b>
12	922-13671200-031	12.62-13.67	12.62-13.06	13.10-13.67	19.00	9.0	12	75	<b>POA</b>
14	92216881400031	15.00-16.88	15.00-15.94	15.94-16.88	21.00	9.5	16.50	95	<b>NA</b>
16	92217851600031	16.00-17.85	16.00-16.50	17.35-17.85	23.50	9.5	16.50	115	<b>NA</b>
16OS	92219201600031	17.15-19.20	17.15-17.95	18.45-19.20	23.50	9.5	16.50	121	<b>NA</b>
18	92221301800031	19.20-21.30	19.20-20.25	20.25-21.30	25.00	9.5	16.50	68	<b>NA</b>
20	92223352000031	21.25-23.35	21.25-22.30	22.30-23.35	27.50	9.5	16.50	142	<b>NA</b>
24	92226322400031	24.00-26.32	24.00-24.80	25.25-26.32	32.00	9.5	16.50	177	<b>NA</b>
24OS	92227322400031	25.00-27.32	25.00-25.80	26.25-27.32	32.00	9.5	16.50	195	<b>NA</b>

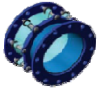
Note: Larger sizes coming in late 2026.

Sizes 2"-12" available POA



## 926 Flexible Meter Couplings

Flanged Meter Outlet Size Inches	Service Pipe Size Inches		Catalog Number	List Price	Approx. Weight lbs.
	Pipe Size & Type	O.D. Inches			
1 1/2	1 1/2" I.P. or Steel	1.90	926-00000190-000	<b>\$97.66</b>	5
2	2" Copper Tube	2.13	926-00000213-000	<b>115.66</b>	6
2	2" I.P. Steel or Cast Iron	2.38-2.50	926-00000250-000	<b>118.42</b>	6



## 971 Non-Restrained Dismantling Joints Alloy Bolts & Nuts And 304 Stainless Bolts & Nuts

Nominal Size Inches	Flange AWWA Class D 125/150 Lb.	Alloy Bolts & Nuts		304 SS Bolts & Nuts		Approx. Weight lbs.
		Catalog Number	List Price	Catalog Number	List Price	
3	3 x 3	971-03000300-003	<b>\$350.86</b>	971-03000300-031	<b>\$426.88</b>	28
4	4 x 4	971-04000400-003	<b>380.10</b>	971-04000400-031	<b>456.12</b>	43
6	6 x 6	971-06000600-003	<b>584.07</b>	971-06000600-031	<b>690.84</b>	65
8	8 x 8	971-08000800-003	<b>736.81</b>	971-08000800-031	<b>835.04</b>	87
10	10 x 10	971-10001000-003	<b>1006.97</b>	971-10001000-031	<b>1,223.80</b>	79
12	12 x 12	971-12001200-003	<b>1,378.59</b>	971-12000200-031	<b>1,594.30</b>	116
14	14 x 14	971-14001400-003	<b>1,447.30</b>	971-14001400-031	<b>1,713.36</b>	160
16	16 x 16	971-16001600-003	<b>1,884.70</b>	971-16001600-031	<b>2,150.78</b>	195
18	18 x 18	971-18001800-003	<b>P.O.A.</b>	971-18001800-031	<b>P.O.A.</b>	221
20	20 x 20	971-20002000-003	<b>P.O.A.</b>	971-20002000-031	<b>P.O.A.</b>	263
24	24 x 24	971-24002400-003	<b>P.O.A.</b>	971-24002400-031	<b>P.O.A.</b>	340
30	30 x 30	971-30003000-003	<b>P.O.A.</b>	971-30003000-031	<b>P.O.A.</b>	510
36	36 x 36	971-36003600-003	<b>P.O.A.</b>	971-36003600-031	<b>P.O.A.</b>	740
42	42 x 42	971-42004200-003	<b>P.O.A.</b>	971-42004200-031	<b>P.O.A.</b>	970
48	48 x 48	971-48004802-003	<b>P.O.A.</b>	971-48004802-031	<b>P.O.A.</b>	1,215
54	54 x 54	971-54005402-003	<b>P.O.A.</b>	971-54005402-031	<b>P.O.A.</b>	1,660
60	60 x 60	971-60006002-003	<b>P.O.A.</b>	971-60006002-031	<b>P.O.A.</b>	2,225
66	66 x 66	971-66006602-003	<b>P.O.A.</b>	971-66006602-031	<b>P.O.A.</b>	2,800
72	72 x 72	971-72007202-003	<b>P.O.A.</b>	971-72007202-031	<b>P.O.A.</b>	3,230



## 972 Heavy Duty Restrained Dismantling Joints With Alloy Bolts & Nuts

Nominal Size Inches	Catalog Number	Number of Tie Bars	Diameter x Length of Tie Rods Inches	List Price
4	972-04000400-003	8	5/8 x 14	P.O.A.
6	972-06000600-003	8	3/4 x 16	P.O.A.
8	972-08000800-003	8	3/4 x 16	P.O.A.
10	972-10001000-003	12	7/8 x 18	P.O.A.
12	972-12001200-003	12	7/8 x 18	P.O.A.
14	972-14001400-003	12	1 x 24	P.O.A.
16	972-16001600-003	16	1 x 24	P.O.A.
18	972-18001800-003	16	1 1/8 x 20	P.O.A.
20	972-20002000-003	20	1 1/8 x 20	P.O.A.
24	972-24002400-003	20	1 1/4 x 25	P.O.A.
30	972-30003000-003	28	1 1/4 x 25	P.O.A.
36	972-36003600-003	32	1 1/2 x 26	P.O.A.
42	972-42004200-003	36	1 1/2 x 26	P.O.A.
48	972-48004802-003	44	1 1/2 x 26	P.O.A.
54	972-54005402-003	44	1 3/4 x 33	P.O.A.
60	972-60006002-003	52	1 3/4 x 33	P.O.A.
66	972-66006602-003	52	1 3/4 x 33	P.O.A.
72	972-72007202-003	60	1 3/4 x 33	P.O.A.



## 973 Restrained Dismantling Joints With Alloy Bolts & Nuts

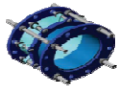
Nominal Size Inches	Alloy Bolts and Nuts and Tie Rods Catalog Number	List Price	Approx. Weight Each
3	973-03000300-003	<b>\$788.80</b>	45
4	973-04000400-003	<b>848.22</b>	53
6	973-06000600-003	<b>1007.62</b>	75
8	973-08000800-003	<b>1,194.35</b>	98
10	973-10001000-003	<b>1,676.54</b>	130
12	973-12001200-003	<b>2,292.24</b>	175

### DISMANTLING JOINT SIZE RANGE:

2" and larger.

Standard flanges in accordance with AWWA Class D.

Other drillings are available, including Metric Flanges.



## 975 Restrained Dismantling Joints Alloy Alloy Bolts & Nuts And 304 Stainless Steel Bolts & Nuts

Nominal Size Inches	Flange AWWA Class D 125/150 Lb. Drilling	# of Tie Rods	Diameter x Length of Tie Bars Inches	Alloy Bolts, Nuts and Tie Rods		304 Stainless Steel Bolts, Nuts and Tie Rods		Approx. Weight lbs.
				Catalog Number	List Price	Catalog Number	List Price	
4	4 x 4	2	5/8 x 14	975-04000400-003	<b>\$595.07</b>	975-04000400-031	<b>\$650.85</b>	35
6	6 x 6	2	3/4 x 16	975-06000600-003	<b>743.82</b>	975-06000600-031	<b>861.59</b>	45
8	8 x 8	2	3/4 x 16	975-08000800-003	<b>991.77</b>	975-08000800-031	<b>1,103.34</b>	70
10	10 x 10	4	7/8 x 18	975-10001000-003	<b>1,301.69</b>	975-10001000-031	<b>1,487.65</b>	95
12	12 x 12	4	7/8 x 18	975-12001200-003	<b>1,735.59</b>	975-12001200-031	<b>1,896.75</b>	145
14	14 x 14	4	1 x 24	975-14001400-003	<b>2,169.48</b>	975-14001400-031	<b>2,429.83</b>	200
16	16 x 16	4	1 x 24	975-16001600-003	<b>2,479.42</b>	975-16001600-031	<b>2,727.35</b>	225
18	18 x 18	4	1 1/8 x 20	975-18001800-003	<b>2,702.56</b>	975-18001800-031	<b>3,409.18</b>	250
20	20 x 20	4	1 1/8 x 20	975-20002000-003	<b>3,062.06</b>	975-20002000-031	<b>3,917.46</b>	275
24	24 x 24	4	1 1/4 x 25	975-24002400-003	<b>3,948.45</b>	975-24002400-031	<b>5,076.58</b>	400
30	30 x 30	7	1 1/4 x 25	975-30003000-003	<b>5,082.79</b>	975-30003000-031	<b>6,508.45</b>	525
36	36 x 36	8	1 1/2 x 26	975-36003600-003	<b>7,438.22</b>	975-36003600-031	<b>9,372.15</b>	775
42	42 x 42	9	1 1/2 x 26	975-42004200-003	<b>9,727.80</b>	975-42004200-031	<b>12,648.26</b>	1,375
48	48 x 48	11	1 1/2 x 26	975-48004802-003	<b>12,521.01</b>	975-48004802-031	<b>15,880.61</b>	1,420
54	54 x 54	11	1 3/4 x 33	975-54005402-003	<b>P.O.A.</b>	975-54005402-031	<b>P.O.A.</b>	1,980
60	60 x 60	13	1 3/4 x 33	975-60006002-003	<b>P.O.A.</b>	975-60006002-031	<b>P.O.A.</b>	2,600
66	66 x 66	13	1 3/4 x 33	975-66006602-003	<b>P.O.A.</b>	975-66006602-031	<b>P.O.A.</b>	3,175
72	72 x 72	15	1 3/4 x 33	975-72007202-003	<b>P.O.A.</b>	975-72007202-031	<b>P.O.A.</b>	3,675



---

**Smith-Blair**  
30 Globe Avenue  
Texarkana, AR 71854  
[xylem.com](http://xylem.com)

**Phone:** 800.643.9705  
**Phone:** 870.773.5127  
**After Hours:** 903.277.9398  
[xylem.com/smith-blair](http://xylem.com/smith-blair)

**Fax:** 800.648.6792  
**Email:** [insidesales@xylem.com](mailto:insidesales@xylem.com)

© 2025 Xylem Inc. or its affiliate. All rights reserved. Smith-Blair is a trademark of Xylem or one of its subsidiaries.



Prices effective March 1, 2025  
Last Revised February 18, 2026