

Jet Pumps

Table of contents

JETS

Jet repair kits.....	3
JRS.....	4
JRD.....	5
JRSG	moved to obsolete book
J+ and JS+.....	6
JB	moved to obsolete book
HSJ	7
VJ.....	moved to obsolete book
SJ	8
GT Irri-Gator™	9
BF03S.....	moved to obsolete book
Motor repair parts	10

Xylem's Goulds Water Technology product line offers a wide range of jet pumps ideal for delivering and boosting water in a variety of applications. Withstanding rigorous testing, these jet pumps provide industry-leading benefits and are backed by over 170 years of dedicated service and support. Rely on jet pumps and replacement parts from Goulds Water Technology for reliable and long-term performance.

Model JRS and JRD

Part description	Quantity required	Repair part no.
Repair kit for JRS5 and JRD5	1	JRS5KIT
Repair kit for JRS7 and JRD7		JRS7KIT
Repair kit for JRS10 and JRD10		JRS10KIT

For individual components see page 4 for JRS, page 5 for JRD

Model J+ and JS+

Part description	Quantity required	Repair part no.
Repair kit for J5	1	J5KIT-2
Repair kit for J7		J7KIT-2
Repair kit for J10		J10KIT-2
Repair kit for J15		J15KIT-2

For individual components see page 6

Model SJ

Part description	Quantity required	Repair part no.
Repair kit for SJ10	1	SJ10KIT

For individual components see page 8

Model GT

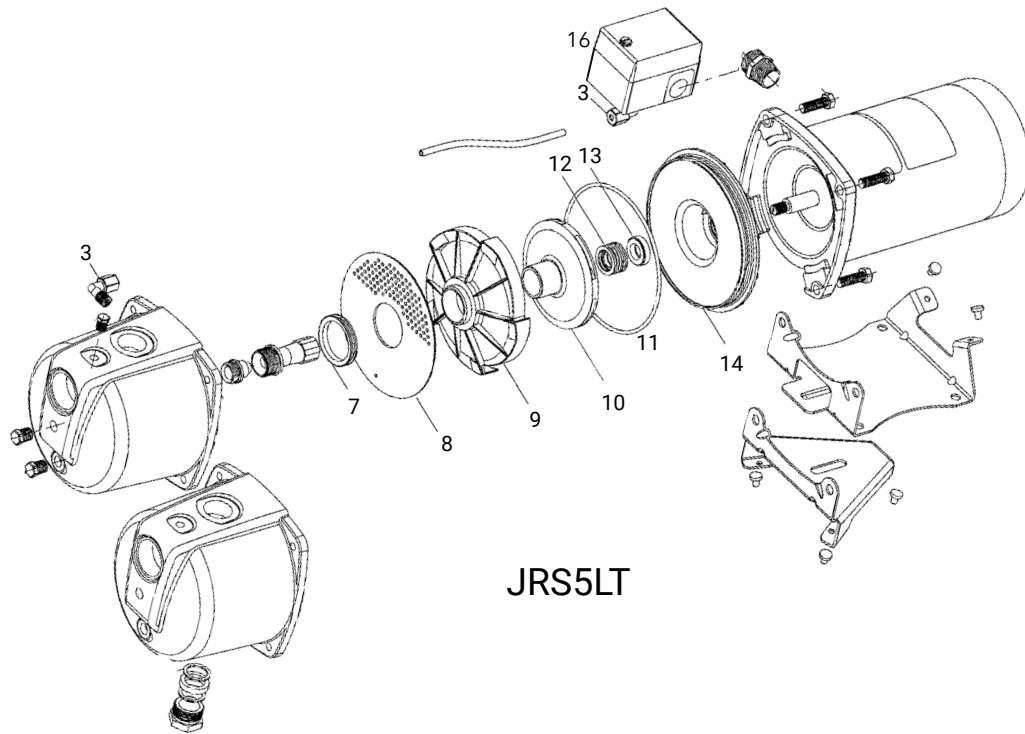
Part description	Quantity required	Repair part no.
Repair kit for GT10	1	GT10KIT
Repair kit for GT15		GT15KIT
Repair kit for GT20		GT20KIT
Repair kit for GT30		GT30KIT

For individual components see page 9

Model JRS

Item no.	Part description	Material	Repair part no.				
			JRS5	JRS5H	JRS5LT	JRS7	JRS10
3	Elbow connector – tubing	Polypropylene	6K94				
7*	Separator plate seal ring	EPDM	–				
8*	Separator plate	Polypropylene	–				
9*	Diffuser (guidevane)	Glass filled engineered composite	–		3K65		
10*	Impeller	Glass filled engineered composite	–		–		
11*	O-ring	EPDM	–				
12*	Mechanical seal – rotary	Teepelite	10K258				
13*	Mechanical seal – stationary	Ceramic					
14	Seal housing	Amodel®	1K366				
16	Pressure switch	NA	AS4				

*Part included with repair kit

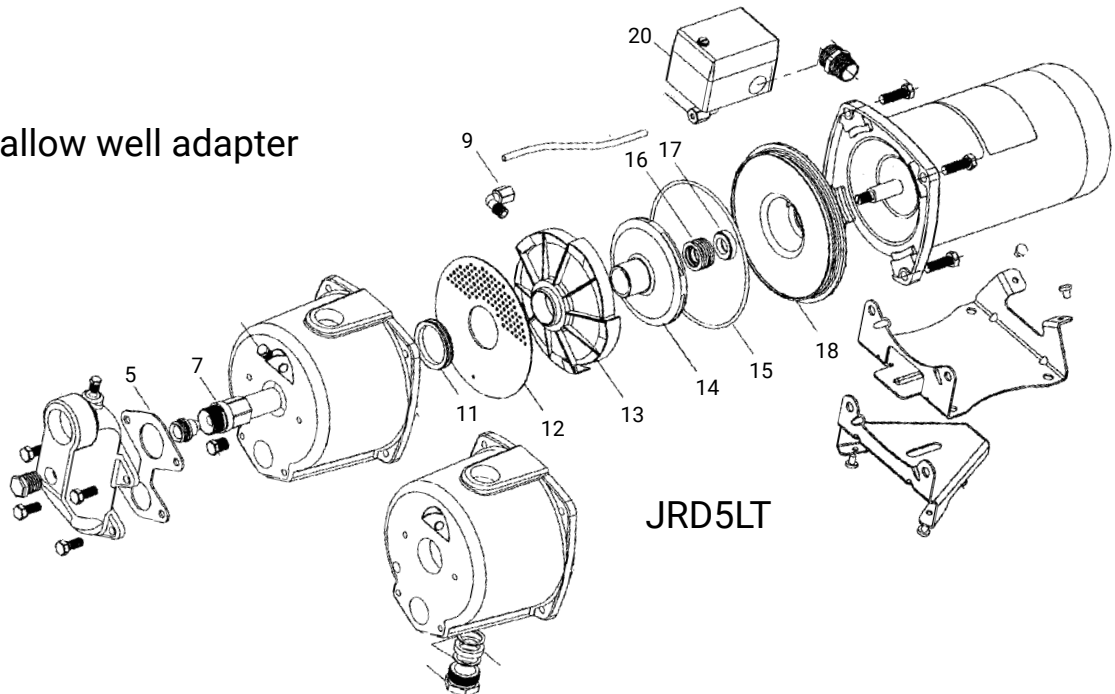


Model JRD

Item no.	Part description	Material	Repair part no.			
			JRD5	JRD5LT	JRD7	JRD10
5	Gasket	BUNA – FDA/NSF	5K108			
7	Venturi tube	Glass filled engineered composite	-		-	AD3538
9	Elbow connector – tubing	Polypropylene	6K94			
11*	Separator plate seal ring	EPDM	-			
12*	Separator plate	Polypropylene	-			
13*	Diffuser (guide vane)	Glass filled engineered composite	-		3K65	
14*	Impeller	Glass filled engineered composite	2K900		-	2K902
15*	O-ring	EPDM	-			
16*	Mechanical seal – rotary	Teeplelite	10K258			
17*	Mechanical seal – stationary	Ceramic				
18	Seal housing	Amodel®	1K366			
20	Pressure switch	NA	AS4			

*Part included with repair kit

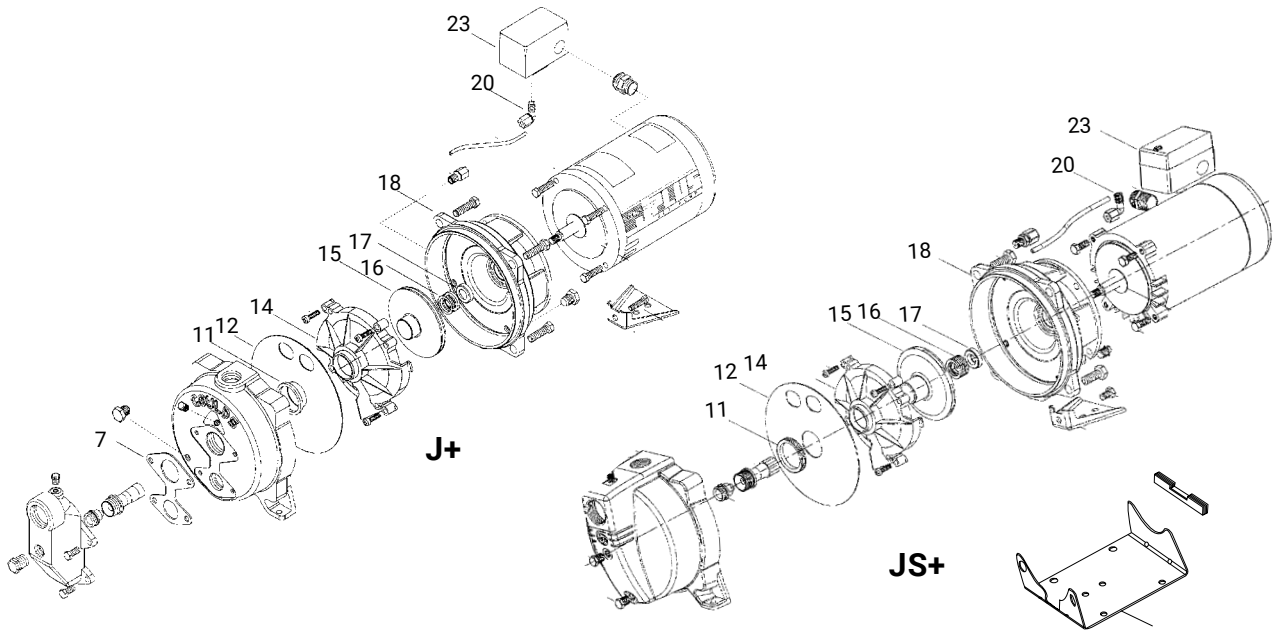
JRD with shallow well adapter



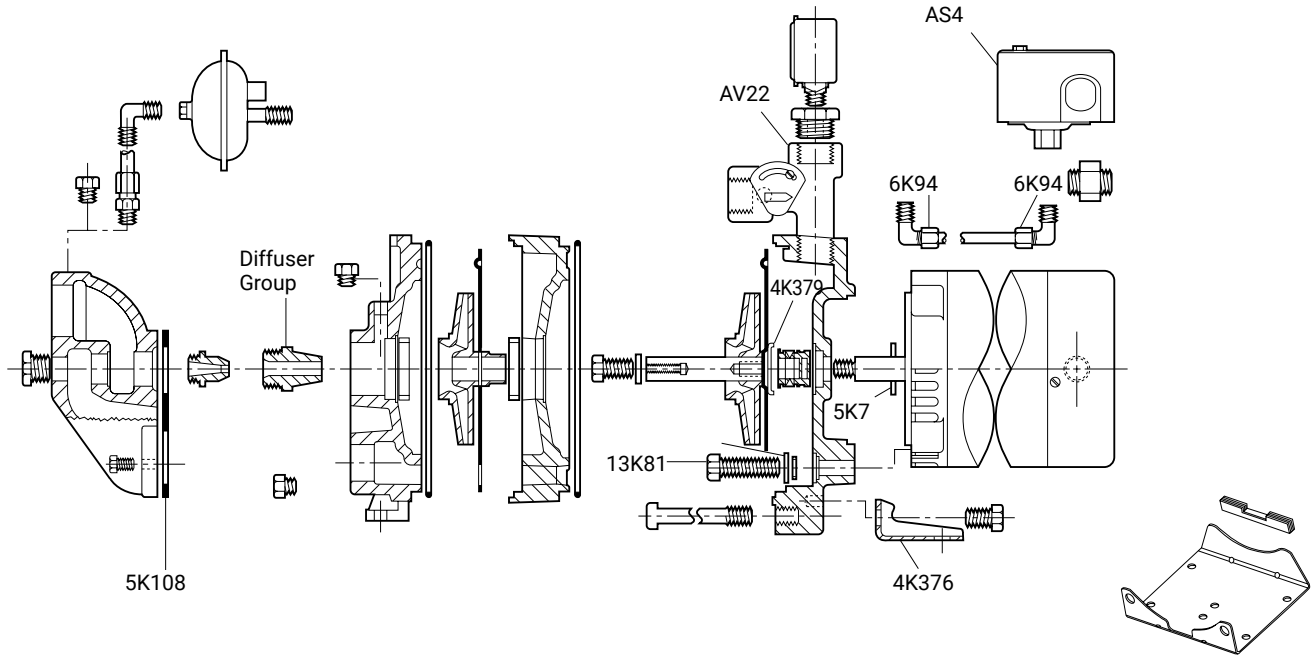
Model J+ and JS+

Item no.	Part description	Material	J+ Series repair part no.					JS+ Series repair part no.				
			J5	J5H	J7	J10	J15	J5S	J5SH	J7S	J10S	J15S
7	Gasket	BUNA - FDA/NSF	5K108					-				
11*	Seal ring	BUNA - FDA/NSF	5K555 ①					5K555 ①				
12*	Diaphragm	BUNA - FDA/NSF	5K557					5K557				
14*	Diffuser (guidevane)	Glass filled engineered composite 10% G.F.	3K75	3K67		3K68	3K75	3K67		3K68		
15*	Impeller	Glass filled engineered composite 20% G.F.	2K4	2K60	2K61	2K706	2K4	2K60	2K61	2K706		
16*	Mechanical seal, rotary	Teepelite	10K258					10K258				
17*	Mechanical seal, stationary	Ceramic										
18	Motor adapter	Cast iron	1K310					1K310				
20	Elbow connector	Polypropylene	6K94					6K94				
23	Pressure switch	NA	AS4					AS4				

*Part included with repair kit



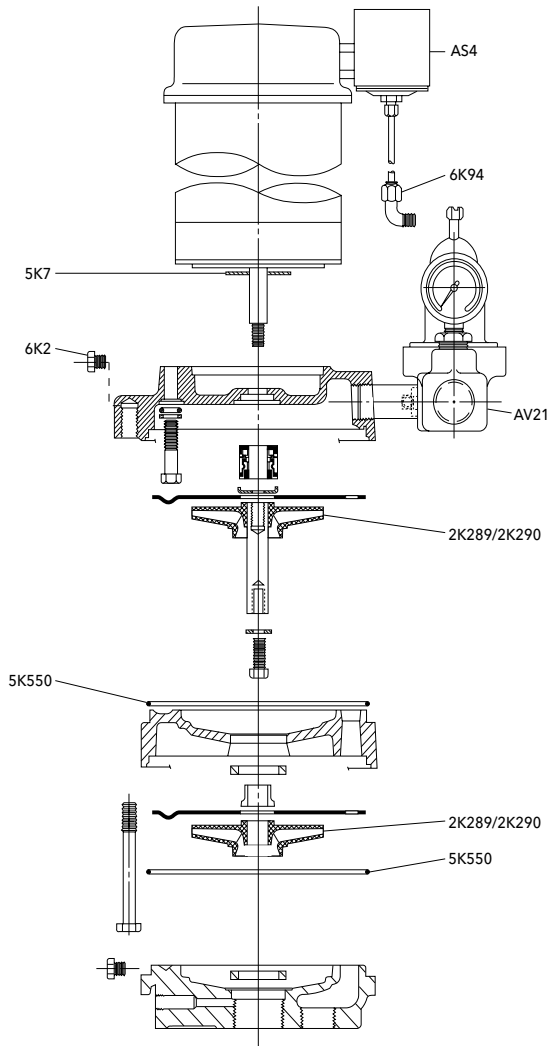
Model HSJ



Part no.	Part name	Pattern no.
1K201	Casing (4 bolt S.W.A.)	59160
2K289	Impeller – ¾ and 1½ HP HSJ Models	
2K290	Impeller – 1 and 2 HP HSJ Models	
4K376	Foot - (stamped)	
4K379	Retainer – shaft sleeve assembly	
5K7	Deflector	
5K108	Gasket – S.W. adapter (4 bolt)	
6K94	Elbow fitting (tubing)	
10K258	Shaft seal assembly	

Part no.	Part name	Pattern no.
AS4	Pressure switch – ¾, 1, 1½ HP rated	
AV22	Pressure control valve	

Model SJ



Part no.	Part name	Pattern no.
2K289 2K290* 4K375	Impeller – ¾ and 1½ HP Models Impeller – 1 and 2 HP Models Retaining ring (OBSOLETE)	
5K7 --* 5K550*	Deflector O-ring – motor adapter bolts O-ring – casing and intermediate stage	
6K94 10K258*	Elbow fitting (tubing) Shaft seal assembly	
AS4 AV21	Pressure switch – ¾, 1 HP, 1½ HP rated Pressure control valve	

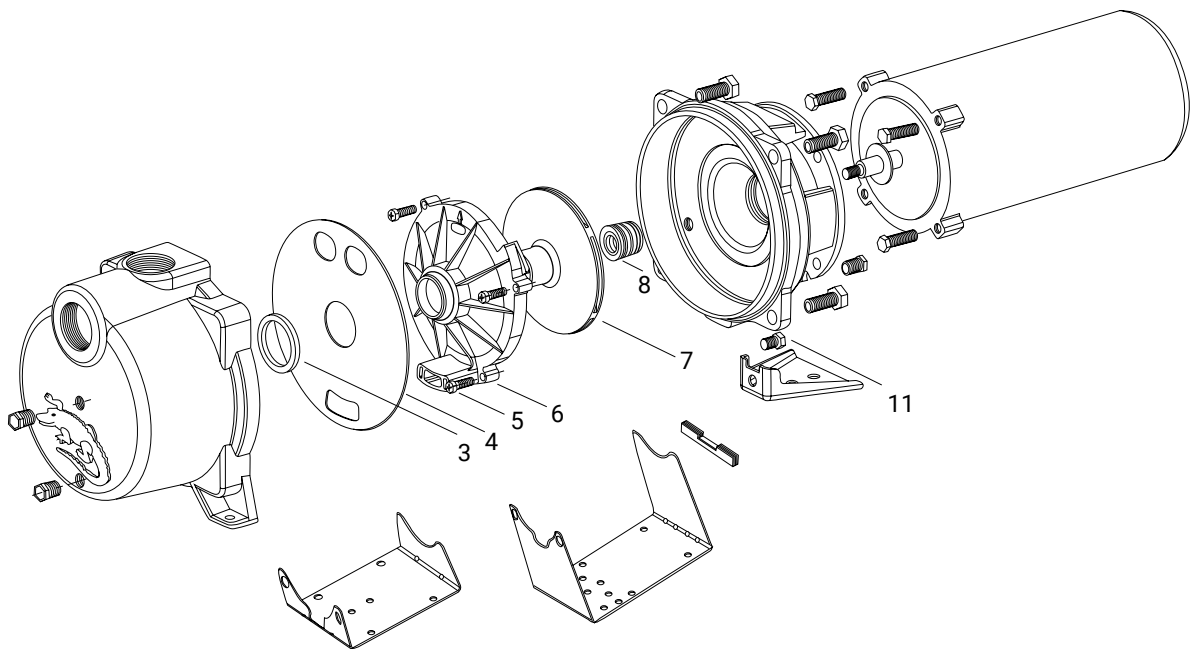
***Part included with SJ10 repair kit**

Model GT IRRI-GATOR

Item no.	Description	Material	Part no.				
			GT07/ GT073	GT10/ GT103	GT15/ GT153	GT20/ GT203	GT30/ GT303
3*	Guidevane seal ring	BUNA	5K555				
4*	Diaphragm	Nitrile	-				
5	Fillister head machine screw	Stainless steel	-				
6*	Guidevane	Glass filled engineered composite 10% G.F.	-	-	3K70	3K70	-
7*	Impeller	Glass filled engineered composite 20% G.F.	2K715	2K716	2K714	2K713	2K712
8*	Mechanical seal	Teepelite/Ceramic	10K258				
11	Motor adapter	Cast iron	1K310				

***Part included with repair kit**

Note: Many TEFC motors have a 1.0 service factor, while ODP motors have NEMA service factors between 1.15 and 1.6. Therefore, the motor HP will be higher for TEFC models than ODP models. Ex. A GT15 has a 1.5 HP, ODP motor with a 1.3 S.F., the GT153 will require a 2 HP TEFC motor which has a 1.0 S.F. The Price Book shows the actual HP motor used on each model while this chart shows only motor order numbers.



Motor repair parts

HP	Vendor	Vendor part	Run cap rating (mfd)	Start cap rating (mfd)	Pumps used on
1/2	Regal	C48A93A06		124/148	J+,JS+,SJ, VJ,HSJ,BF
3/4	Regal	C48AA33A06		161/177	
1	Regal	C48AA34A06		161/177	
1.5	Regal	C48C53A06		189/227	
2	Regal	K48A34A06	30	565/678	
1/2	Regal	C48C04A06		161/177	JRS,JRD
3/4	Regal	C48C05A06			
1	Regal	C48C06A06			
3/4	Nidec	C055JWL2191013H	50	208	GT
1	Nidec	C055JWM2192013H			
1.5	Nidec	T063CLU2103013H			
2	Nidec	T063CLZ2108013H			
3	Nidec	T063CMA2109013H			

Learn more
about jet pumps



Xylem Inc. Phone: (866) 325-4210
2881 East Bayard Street Ext., Fax: (888) 322-5877
Suite A xylem.com/goulds
Seneca Falls, NY 13148

This information is subject to change without notice. All information presented herein is believed reliable and in accordance with accepted engineering practices. Xylem makes no warranties as to the completeness of this information. Users are responsible for evaluating individual product suitability for specific applications. Xylem assumes no liability whatsoever for any special, indirect or consequential damages arising from the sale, resale or misuse of its products.

© 2026 Xylem Inc. or its affiliate. All rights reserved. Xylem is a registered trademark of Xylem Inc. or one of its subsidiaries. Goulds Water Technology is a registered trademark of ITT Manufacturing Enterprises LLC and is used under license. All other trademarks or registered trademarks are the property of their respective owners.

RJETPARTS R11 4/2026

xylem
Let's Solve Water