



This document provides technical information relating to this specific Flojet model. General information, references and further resource locations are also included. VersiJet industrial pumps are designed to be durable and long-lasting, capable of satisfying pumping needs for a wide variety of applications. Typical pump uses are liquid transfer, spraying, cooling, circulation, filtration and dispensing.

Features

- Heavy duty, coated motor
- Long life co-mold diaphragm
- Efficient, quiet operation
- Self-priming
- Runs dry without damage

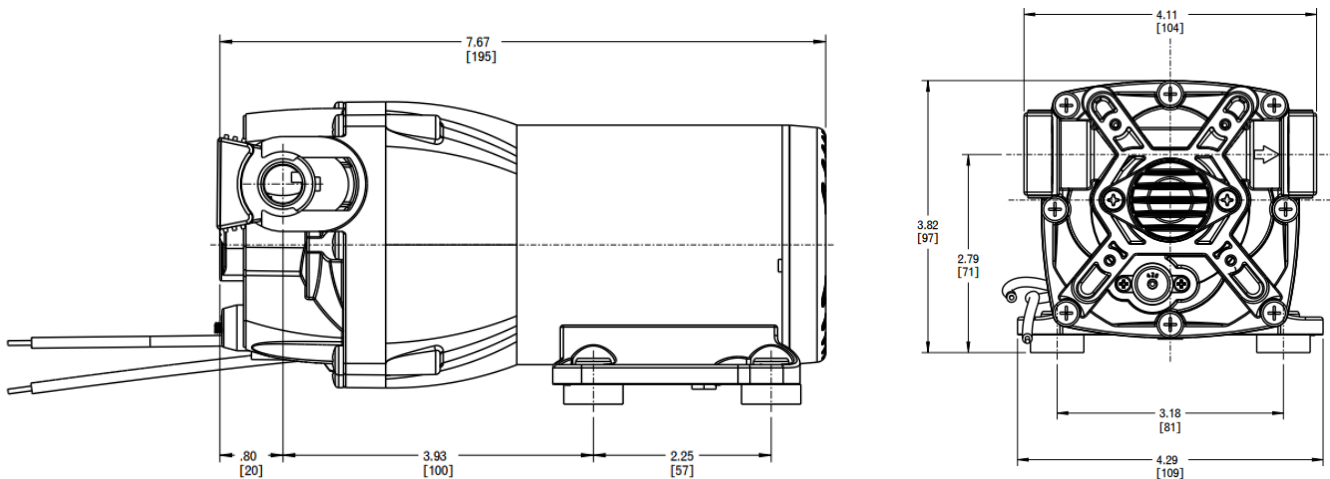
Contents

Pump unit:	VersiJet 12V 3.5GPM S/V NSW BP VersiJet 12V 13.2LPM S/V NSW BP
Port fittings:	2 x 1/2" (13mm) straight hosebarb
Strainer:	Not included
IOM:	Included (PN 81000480)
Carton type:	Plain box
Master pack qty.:	4

Dimensional drawing

Inches [mm]

Notes: Additional envelope space required to allow port clips to extend, wires to bend, port fittings and hoses, etc.



Specifications

General

Part number: Q351F-16N7-2P
Aftermarket replacement: Q351F-16N7-2P
Replaces: Not Available
Application: Industrial fluid transfer & spray
Design: 4 chamber diaphragm
Quick connect ports
TENV permanent magnet motor
Noise dampening baseplate
Thermal motor protection (TCO)

Materials (*designates wetted path)

Upper housing*: Glass-filled polypropylene
Lower housing*: Cast aluminum
Check valve retainer*: Polypropylene
Diaphragm*: Santoprene
Check valves*: Viton
Switch diaphragm*: Viton
Bypass diaphragm*: Viton
PH seals*: Viton
PH fasteners: Stainless steel
Baseplate: Nylon with rubber feet
Motor casing: Case aluminum; coated steel

Hydraulic performance (at nominal voltage)

Open flowrate: 3.5 GPM open flow (13.2 LPM)
Pressure switch cut-off: No Switch
Max operating pressure: 50 PSI (3.4 BAR)
Max inlet pressure: 30 PSI (2.2 BAR)
Internal bypass: Yes
Fluid temperature range: 32°F - 140°F (0°C - 60°C)
Self-priming capability: Up to 8ft (2.4m) dry prime
Run-dry capable: Yes

Electrical performance (at nominal voltage)

Nominal voltage: 12 VDC
Voltage range: 9 VDC – 13.6 VDC
Max current draw: 9.5 Amps @ 50 PSI (3.4 BAR)
Fuse size: 15 Amps (not included)
Duty cycle: Intermittent (See heat-rise chart)
Leads: 12" (305mm), 14 AWG (2.5mm²)
Wire connection: Stripped wire

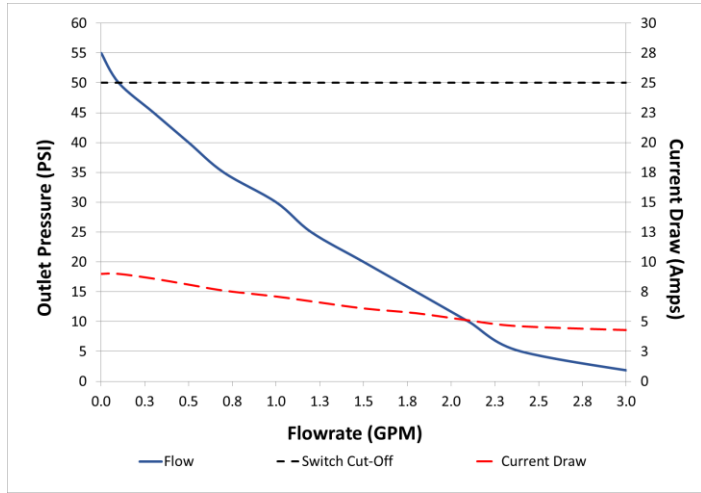
Compliance

CE: Yes
UR: No
RCM: Yes
UKCA: Yes
WEEE: Yes
Country of Origin: China
HTS Code: 8413.50.0050

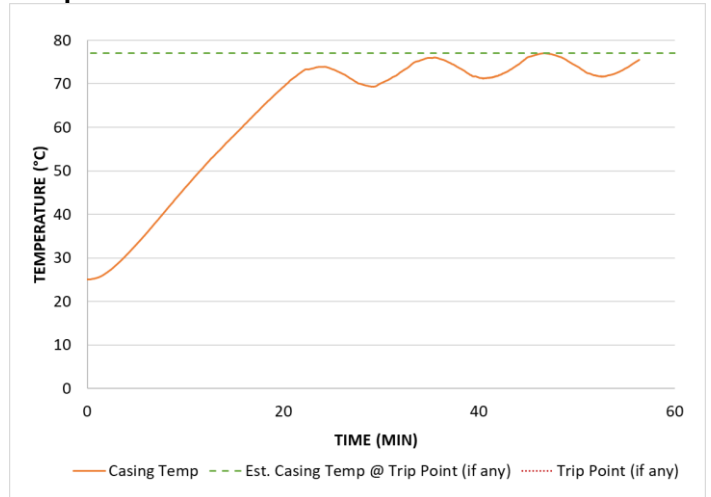
Other information

Other Information: Industrial
Ambient temp range: 32°F - 140°F (0°C - 60°C)
IP rating: IPX6
Carton dimensions: 11.25x5.47x5.07" (286x139x129mm)
Master pack dimensions: 12x12x11.5" (305x305x292mm)
Weight (pump only): 5.2 lbs (2.4 kg)
UPC code: 705474224036

Flow curve



Temperature rise



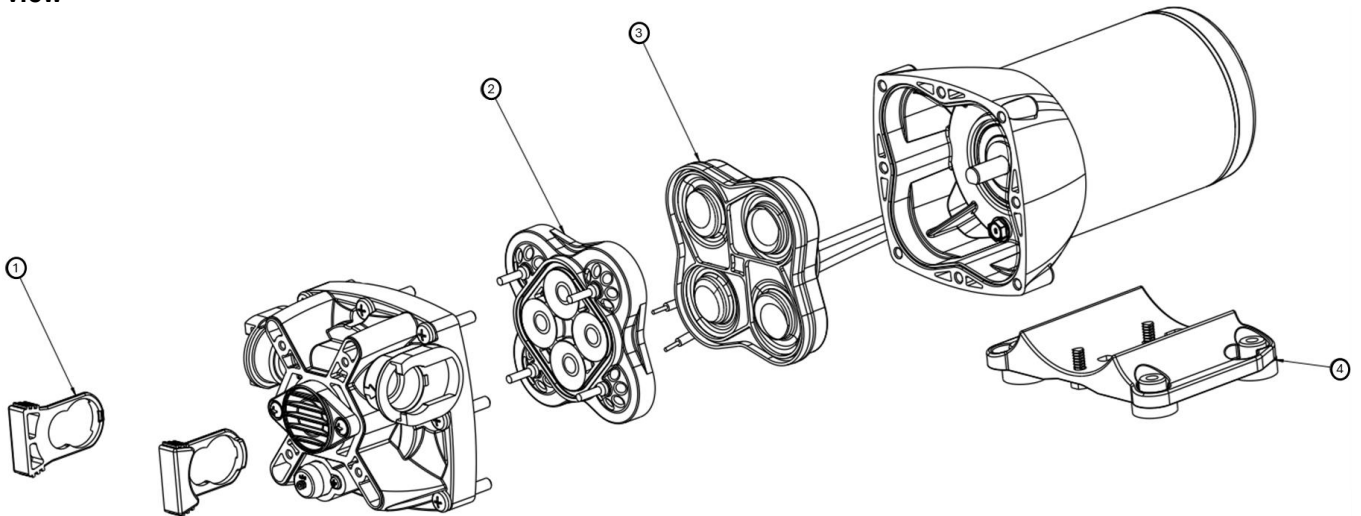
Representative curve of unit operated at nominal voltage. Performance will vary somewhat unit to unit. This model does not have a pressure switch and must be turned off manually. Do not exceed 50PSI (3.4 BAR). Flow rate at zero pressure represents Open Bucket.

Tested @ elevated ambient temp of 70°F (21°C) @ max run pressure. Est. Casing Temp @ Trip Point may vary (+/-10°C). If there is a concern about the ability of the pump to run continuously for long periods of time, then in-application testing is highly recommended.

Pump service kits & spares

Item	Description
1. Port clips	2 port clips per kit
2. Check valve assembly	Check valve housing with suction and discharge check valves installed
3. Diaphragm/drive assembly	Wobble plate/diaphragm assembly
4. Baseplate/mounting feet	Baseplate w/rubber mounting feet installed

Exploded view



Available Flojet industrial options

In addition to the unit described in this datasheet Flojet also offers the following configurations (will vary somewhat by region and model type) and options:

- Voltages: 12, 24, & 36 VDC 115 & 230 VAC
Flowrate range: 1 - 6 GPM (3.8 - 22.7 LPM)
Switch setting range: 25 - 150 PSI (1.7 - 10.3 Bar)
Pump configurations:
- Switch; Bypass; Switch & Bypass; Switch, No Bypass; No Switch, No bypass
 - EP/PP and other blended diaphragm materials
 - EPDM, FKM, and other valve/seal materials
 - Some models available with transducers or vacuum switches
 - Various customer options dependent on volumes

Installation & operation

For guidance on proper installation and operation of this pump, as well as for any warnings or cautions involving use, please consult the appropriate IOM for the pump. Printed IOMs are supplied with the pumps and are also available online.

Resources & contact information

IOM:	On website; hard copies with pumps	Customer service:	Refer to contact info at our website
Warranty:	Information included in IOM	Website:	www.xylem.com/flojet

Note: Specifications provided for guidance only. We reserve the right to change specifications without prior notice.